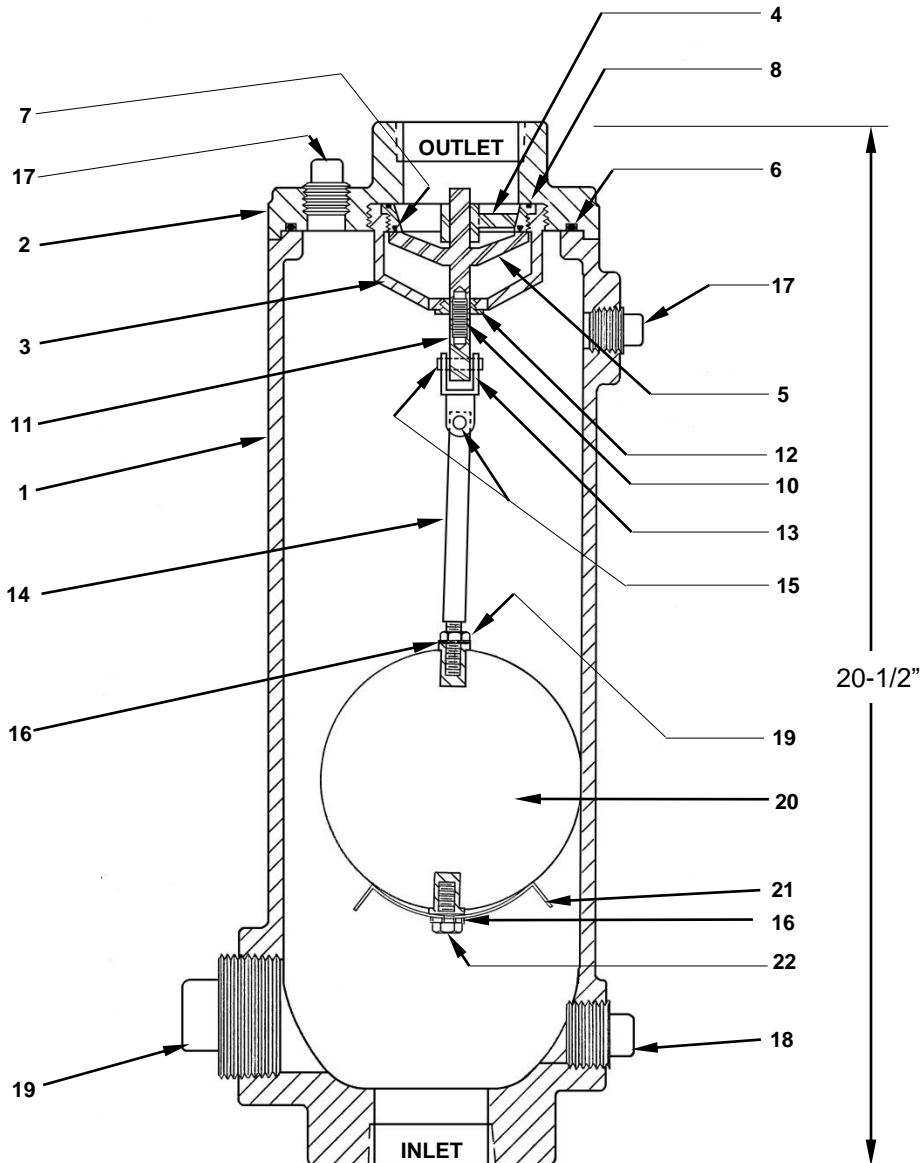


SIZE	INLET	OUTLET	MAX WORKING PRESSURE	PRESSURE RATING	WEIGHT
2" X 1"	2" NPT	1" NPT	200 PSI	200 PSI	60 lbs
2" X 2"	2" NPT	2" NPT			
3" X 2"	3" NPT	2" NPT			



NOTE: VALVE SHOWN IN CLOSED POSITION

GA INDUSTRIES, a VAG Brand		
DATE:	3-31-09	DRAWN BY: WJN
ALL STAINLESS STEEL SEWAGE AIR & VACUUM VALVE		
FIGURE 935SS	DRAWING NO. EAV7105S-W	REV A

LIST of MATERIALS

2" x 1" & 2" x 2" Figure X935SS

Refer to Drawing EAV7105S-W

ITEM	NAME	MATERIAL
1	Body	Stainless Steel, ASTM A351 Type 316
2	Cover	Stainless Steel, ASTM A351 Type 316
3	Cage	Stainless Steel, ASTM A351 Type 316
4	Seat	316 Stainless Steel
5	Plug	316 Stainless Steel
6	Cover O-ring	Buna-N Rubber
7	Renewable Seat	Buna-N Rubber
8	Seat O-ring	Buna-N Rubber
9	Cover Bolt	316 Stainless Steel
10	Plug Extension	18-8 Stainless Steel
11	Connector	316 Stainless Steel
12	Bushing	316 Stainless Steel
13	Universal Coupling	316 Stainless Steel
14	Float Rod	316 Stainless Steel
15	Spirol Pin	312 Stainless Steel
16	Lock Washer	18-8 Stainless Steel
17	½" NPT Pipe Plug	316 Stainless Steel
18	1" NPT Pipe Plug	316 Stainless Steel
19	2" NPT Pipe Plug	316 Stainless Steel
19	Hex Nut	18-8 Stainless Steel
20	Float Ball	316 Stainless Steel
21	Float Hood	316 Stainless Steel
22	Float Ball Screw	18-8 Stainless Steel
23	Float Screw	18-8 Stainless Steel

GA INDUSTRIES, a VAG Brand		
DATE:	3/31/09	DRAWN BY: WJN
STAINLESS STEEL SEWAGE AIR & VACUUM VALVE LIST OF MATERIALS		
2" x 1", 2" x 2 FIGURE 935SS		DRAWING NO. EAV7105S.01 REV A