

Series 800 Butterfly Valves

AWWA C504 Class 150B and 250B

Buried Service, 3" to 24"

Description

The GA Industries buried service Series 800 AWWA Butterfly Valves are rugged, versatile and dependable water shut off valves suitable for direct burial.

The valve utilizes a high strength ductile iron body containing a molded and vulcanized Buna-N or EPDM rubber seat in combination with a 316SS disc seat for bi-directional tight shutoff at low and high pressure.

Series 800 buried service AWWA butterfly valves are available 6" to 24" with mechanical joint ends or 3" to 24" with Class 125 flanged ends, either with a 450 ft-lb rated traveling nut manual operator with a 2" nut, open left or open right.

Standard Features

- Internal and external epoxy coated, high strength ductile iron body
- Rubber seat molded and vulcanized to body
- Streamlined lens shaped disc for low head loss
- Bi-directional zero leakage seating up to full rated pressure
- Self-adjusting shaft seals
- Type 316 stainless steel external fasteners
- Integral FA actuator mounting pad
- Traveling nut manual actuator, grease packed and sealed against water entry, rated for 450 ft-lb against the stops

Standard Materials

- Body and Cover Ductile Iron, ASTM A536 Grade 65-45-12
- Body Seat Buna-N or EPDM Rubber
- Disc Ductile Iron, ASTM A536 Grade 65-45-12 with 316SS Seat Edge
- Shaft Class 150B: Type 304 SS
Class 250B: Type 17-4PH SS
- Shaft Bearings Self Lubricating
- External Fasteners Type 316 Stainless Steel

Coating

- Standard: Internal and External PPG/Amerlok 400 NSF-61 Certified 2-Part Epoxy, Minimum 6 mil DFT

Data Sheet 800.03C



Approvals & Certifications

- Fully complies with AWWA Standard C504
- NSF-61 Certified for Contact with Drinking Water
- NSF-372 Certified Lead Free (Max 0.25% Lead Content by Weighted Average)

Options and Accessories

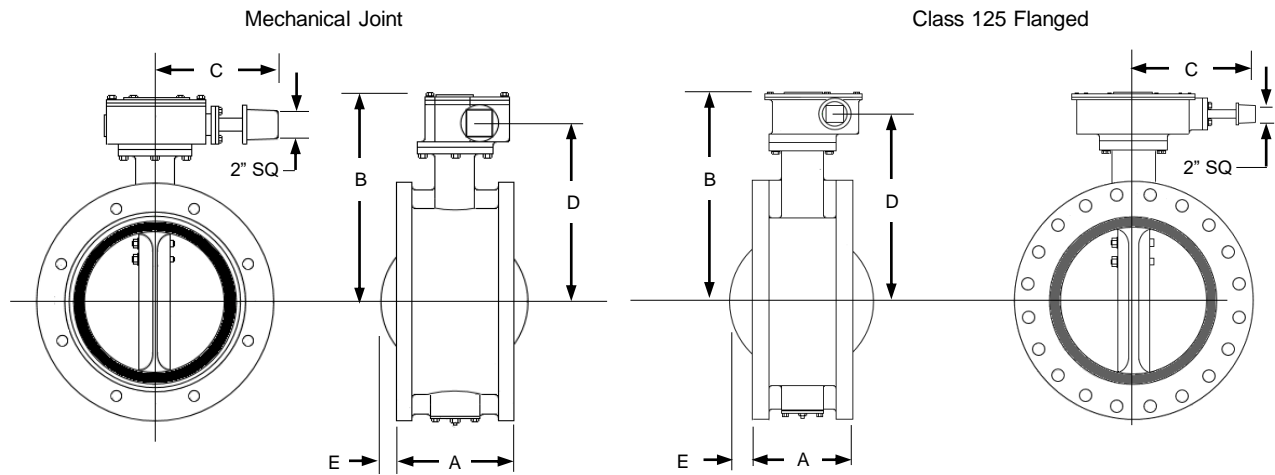
- Option BZ – Supplied with Lead-Free Bronze Disc
- Option OR – Valve opens by turning 2" nut clockwise (Standard is Open Left, counterclockwise)

Ordering Data

- Series 800 Buried Service
- Size
- Connection (MJ or Class 125 flanged)
- Seat (Buna-N or EPDM)
- Options/Accessories

| Non-Shock Working Water Pressure 33F to 125F (1C to 52C) | | | | |
|--|-------------------------------------|------------------------|-------------------------------------|------------------------|
| AWWA C504 Pressure Class | Class 150B | | Class 250B | |
| Connections | Mechanical Joint | ANSI Class 125 Flanged | Mechanical Joint | ANSI Class 125 Flanged |
| Operation | Traveling Nut with 2" Operating Nut | | Traveling Nut with 2" Operating Nut | |
| Size | 6" to 24" | 3" to 24" | 6" to 24" | 3" to 24" |
| Max Working Pressure | 150 PSI | | 250 PSI | |
| Hydro Test | 300 PSI | | 500 PSI | |

Data Sheet 800.03C



Installation Dimensions

| SIZE | 3" | 4" | 6" | 8" | 10" | 12" | 14" | 16" | 18" | 20" | 24" |
|-----------|-----|----|-----|-----|-----|-----|-----|-----|-----|-----|-----|
| A (MJ) | -- | -- | 8½ | 8½ | 9¼ | 9¼ | 11½ | 12 | 12¼ | 12½ | 13¼ |
| A (FLG) | 5 | 5 | 5 | 6 | 8 | 8 | 8 | 8 | 8 | 8 | 8 |
| B | 10¼ | 11 | 12 | 13½ | 15¼ | 17⅝ | 19 | 21 | 22½ | 24 | 29½ |
| C | 8⅝ | 8⅝ | 8⅝ | 8⅝ | 9½ | 9½ | 9½ | 14 | 14 | 14 | 14⅝ |
| D | 9 | 9⅝ | 10⅝ | 12¼ | 13⅝ | 15¼ | 17 | 19 | 20½ | 22 | 24½ |
| E (MJ) | -- | -- | -- | -- | ¾ | 1⅜ | 1¼ | 2 | 2⅞ | 3¾ | 5⅝ |
| E (FLG) | -- | -- | ½ | 1 | 1 | 2 | 3 | 4 | 5 | 6 | 8 |
| WGT (MJ) | -- | -- | 106 | 129 | 176 | 211 | 300 | 415 | 483 | 565 | 728 |
| WGT (FLG) | 58 | 71 | 96 | 140 | 180 | 244 | 302 | 431 | 513 | 606 | 846 |

- MJ ends available 6" to 24", Class 125 flanged ends available 3" to 24"
- Actuator can be rotated in 90-degree increments about valve centerline
- Dimensions in inches and weight in pounds and are approximate. Request certified drawings if critical.

Flow Coefficients

| SIZE | 3" | 4" | 6" | 8" | 10" | 12" | 14" | 16" | 18" | 20" | 24" |
|----------------|------|------|------|------|------|------|------|-------|-------|-------|-------|
| C _v | 186 | 378 | 874 | 1939 | 3580 | 6700 | 9845 | 13734 | 17377 | 22028 | 28679 |
| K | 2.29 | 1.64 | 1.58 | 0.97 | 0.70 | 0.40 | 0.27 | 0.24 | 0.24 | 0.23 | 0.32 |