

# Series 800 Butterfly Valves

## AWWA C504 Class 150B and 250B

### Buried Service, 3" to 24"

#### Description

The GA Industries buried service Series 800 AWWA Butterfly Valves are rugged, versatile and dependable water shut off valves suitable for direct burial.

The standard valve utilizes a high strength ductile iron body containing a molded and vulcanized EPDM-P rubber seat in combination with a 316SS disc seat for bi-directional tight shutoff at low and high pressure.

Series 800 buried service AWWA butterfly valves are available 6" to 24" with mechanical joint ends or 3" to 24" with Class 125 flanged ends, either with a 450 ft-lb rated traveling nut manual operator with a 2" nut, open left or open right.

#### Standard Features

- Internal and external epoxy coated, high strength ductile iron body
- Rubber seat molded and vulcanized to body
- Streamlined lens shaped disc for low head loss
- Bi-directional zero leakage seating up to full rated pressure
- Self-adjusting shaft seals
- Type 316 stainless steel external fasteners
- Integral FA actuator mounting pad
- Traveling nut manual actuator, grease packed and sealed against water entry, rated for 450 ft-lb against the stops

#### Standard Materials

- Body and Cover Ductile Iron, ASTM A536 Grade 65-45-12
- Body Seat EPDM-P Rubber (Optional Buna-N)
- Disc Ductile Iron, ASTM A536 Grade 65-45-12 with 316SS Seat Edge
- Shaft Class 150B: Type 304 SS  
Class 250B: Type 17-4PH SS
- Shaft Bearings Self Lubricating
- External Fasteners Type 316 Stainless Steel

#### Coating

- Standard: Internal and External PPG/Amerlok 400 NSF-61 Certified 2-Part Epoxy, Minimum 6 mil DFT

Data Sheet 800.03E



#### Approvals & Certifications

- Fully complies with AWWA Standard C504
- NSF-61 Certified for Contact with Drinking Water
- NSF-372 Certified Lead Free (Max 0.25% Lead Content by Weighted Average)

#### Options and Accessories

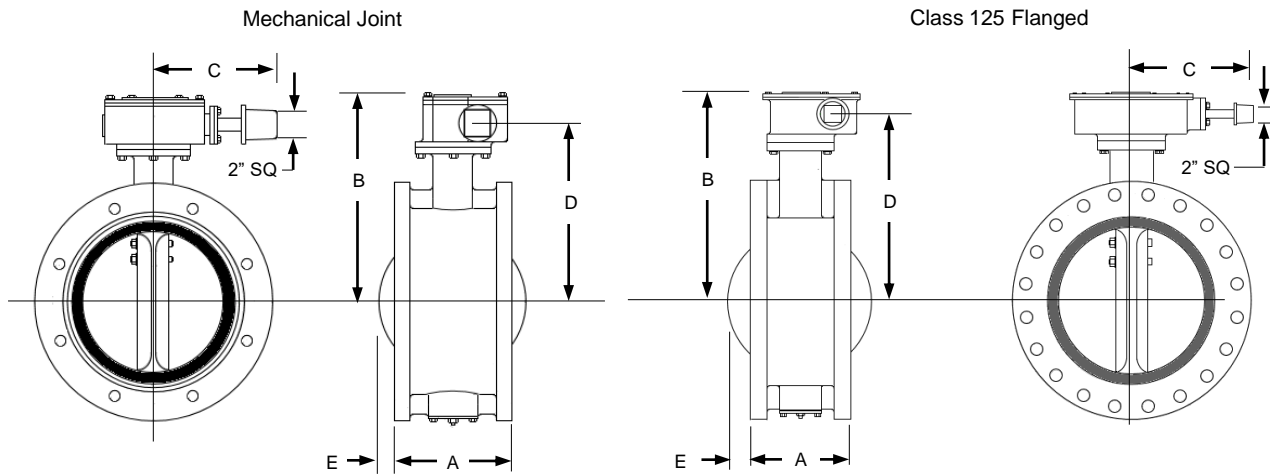
- Option OR – Valve opens by turning 2" nut clockwise (Standard is Open Left, counterclockwise)

#### Ordering Data

- Series 800 Buried Service
- Size
- Connection (MJ or Class 125 flanged)
- Options/Accessories

Non-Shock Working Water Pressure 33F to 125F (1C to 52C)				
AWWA C504 Pressure Class	Class 150B		Class 250B	
Connections	Mechanical Joint	ANSI Class 125 Flanged	Mechanical Joint	ANSI Class 125 Flanged
Operation	Traveling Nut with 2" Operating Nut		Traveling Nut with 2" Operating Nut	
Size	6" to 24"	3" to 24"	6" to 24"	3" to 24"
Max Working Pressure	150 PSI		250 PSI	
Hydro Test	300 PSI		500 PSI	

Data Sheet 800.03E



**Installation Dimensions**

SIZE	3"	4"	6"	8"	10"	12"	14"	16"	18"	20"	24"
A (MJ)	--	--	8½	8½	9¼	9¼	11½	12	12¼	12½	13¼
A (FLG)	5	5	5	6	8	8	8	8	8	8	8
B	10¼	11	12	13½	15¼	17⅝	19	21	22½	24	29½
C	8⅝	8⅝	8⅝	8⅝	9½	9½	9½	14	14	14	14⅝
D	9	9⅝	10⅝	12¼	13⅝	15¼	17	19	20½	22	24½
E (MJ)	--	--	--	--	¾	1⅜	1¼	2	2⅞	3¾	5⅝
E (FLG)	--	--	½	1	1	2	3	4	5	6	8
WGT (MJ)	--	--	106	129	176	211	300	415	483	565	728
WGT (FLG)	58	71	96	140	180	244	302	431	513	606	846

- MJ ends available 6" to 24", Class 125 flanged ends available 3" to 24"
- Actuator can be rotated in 90-degree increments about valve centerline
- Dimensions in inches and weight in pounds and are approximate. Request certified drawings if critical.

**Flow Coefficients**

SIZE	3"	4"	6"	8"	10"	12"	14"	16"	18"	20"	24"
C <sub>v</sub>	186	378	874	1939	3580	6700	9845	13734	17377	22028	28679
K	2.29	1.64	1.58	0.97	0.70	0.40	0.27	0.24	0.24	0.23	0.32