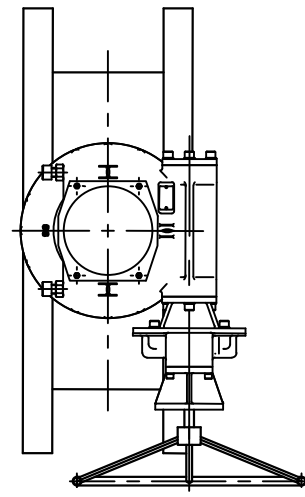


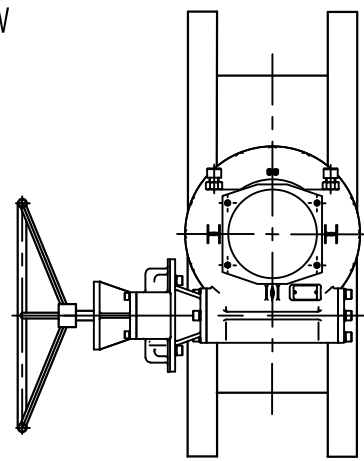
NO.	DESCRIPTION
26	GEARBOX ACTUATOR
27	ACTUATOR BOLTS w/LOCK WASHERS

FLOW



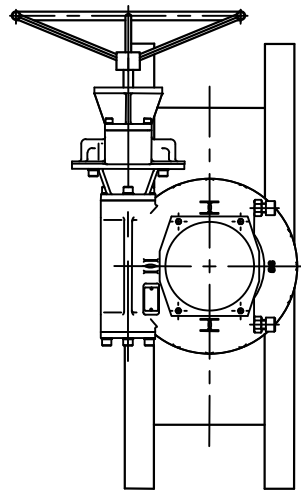
POSITION A - STANDARD

FLOW



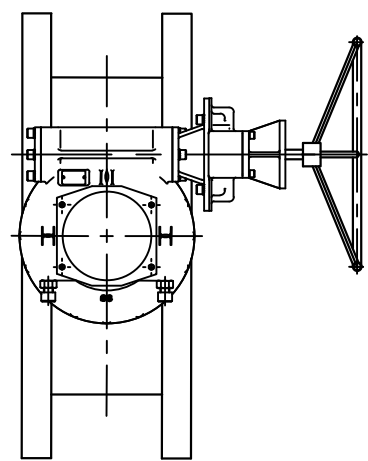
POSITION B

FLOW



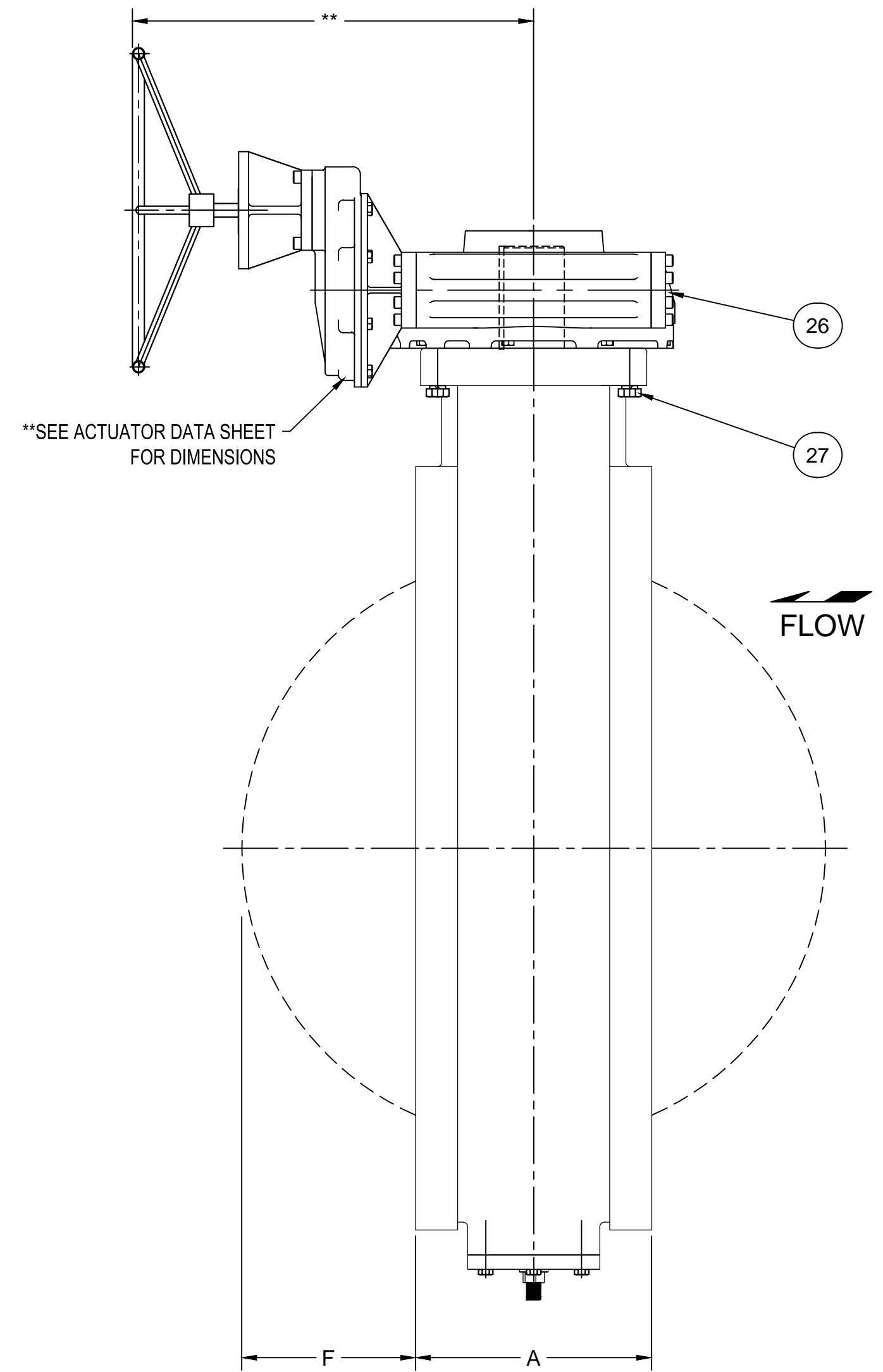
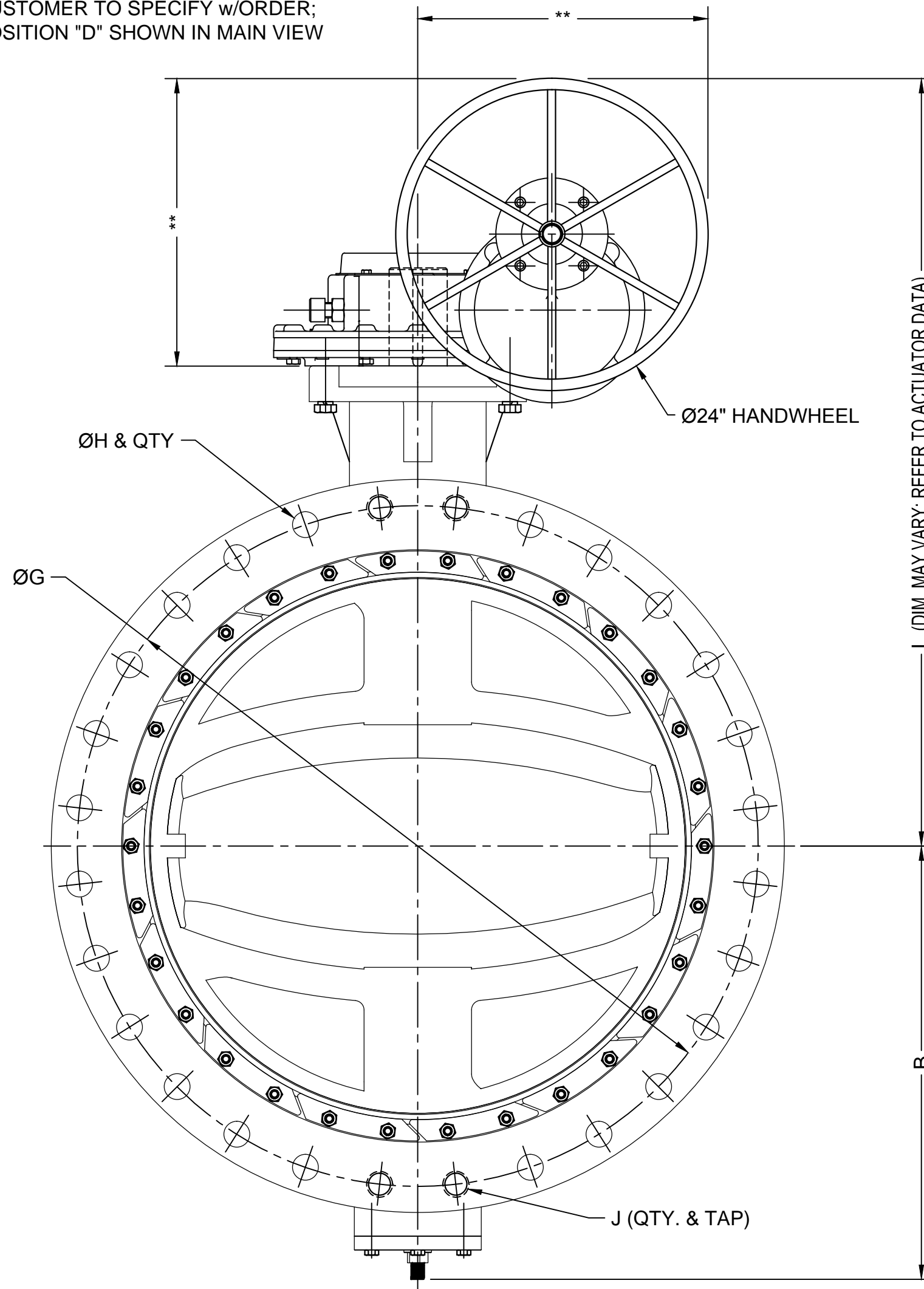
POSITION C

FLOW



POSITION D

OPTIONAL ACTUATOR POSITIONS;
CUSTOMER TO SPECIFY w/ORDER;
POSITION "D" SHOWN IN MAIN VIEW



- TECHNICAL REQUIREMENTS:
1. DESIGN STANDARD, AWWA C504
 2. FLANGE DRILLING PER ANSI B16.1 CLASS 125 FOR BOTH CLASS 150B AND 250B VALVES.
 3. DIMENSIONS IN INCHES, WEIGHT IN POUNDS.
 4. WORKING PRESSURE 150 PSI OR 250 PSI BASED ON CLASS.
 5. SHAFT DIAMETER AND BODY WALL THICKNESS PER AWWA C504.

SIZE	A	B	F TYP	ØG	QTY- ØH	J	L	MTG	WGT
48"	15.00	34.86	16.50	56.00	(36) - Ø1 5/8	(8) - 1 1/2 - 6UNC	55.00	FA30/FA36	4890
42"	12.00	29.68	15.00	49.50	(30) - Ø1 5/8	(6) - 1 1/2 - 6UNC	51.25	FA25/FA30	3690
36"	12.00	26.64	12.00	42.75	(28) - Ø1 5/8	(4) - 1 1/2 - 6UNC	46.00	FA25/FA30	2290
30"	12.00	22.91	9.00	36.00	(24) - Ø1 3/8	(4) - 1 1/4 - 7UNC	42.75	FA25/FA30	2040

GA INDUSTRIES, LLC

30"- 48" ANSI FLANGED BUTTERFLY VALVE
w/ABOVE GROUND MANUAL ROTORK IW GEARBOX

DIMENSIONS IN INCHES
STANDARD TOLERANCES (UNLESS OTHERWISE NOTED)
X = ±.1
.XX = ±.02
.XXX = ±.005
FRACTIONS = ±1/64
ANGLES = ±1°
DRAFTS: 3° MAX
PER ANSI Y14.5M GD&T -3/32 FLATNESS, ROUNDNESS, POSITION

CASTING STOCK MINIMUM (SMALLEST DIM. TO SURFACE)
0 TO <1 = 1/8
1 TO <6 = 3/16
6 TO <12 = 1/4
12 AND > = 3/8

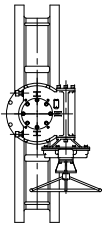
SERIAL NO. *	DRAWN BY SWR
FIG. NUMBER 804	APPR. BY JT
DATE 08-13-2015	SCALE N.T.S.
PROPERTY OF GA INDUSTRIES, LLC	
REFERENCES	FILE
BF-1011	BF
DRAWING NO.	REV.
BF-1172	*

REV.	DESCRIPTION	DATE	BY

C:\PROJECTS\ENGINEERING\AUTOCAD\BUTTERFLY\BF-SHOW\BF-1172.DWG

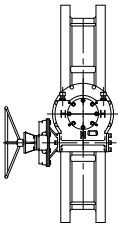
NO.	DESCRIPTION
26	GEARBOX ACTUATOR
27	ACTUATOR BOLTS w/LOCK WASHERS

FLOW



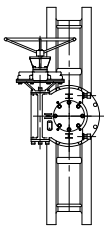
POSITION A - STANDARD

FLOW



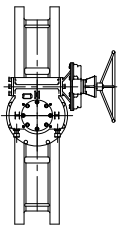
POSITION B

FLOW



POSITION C

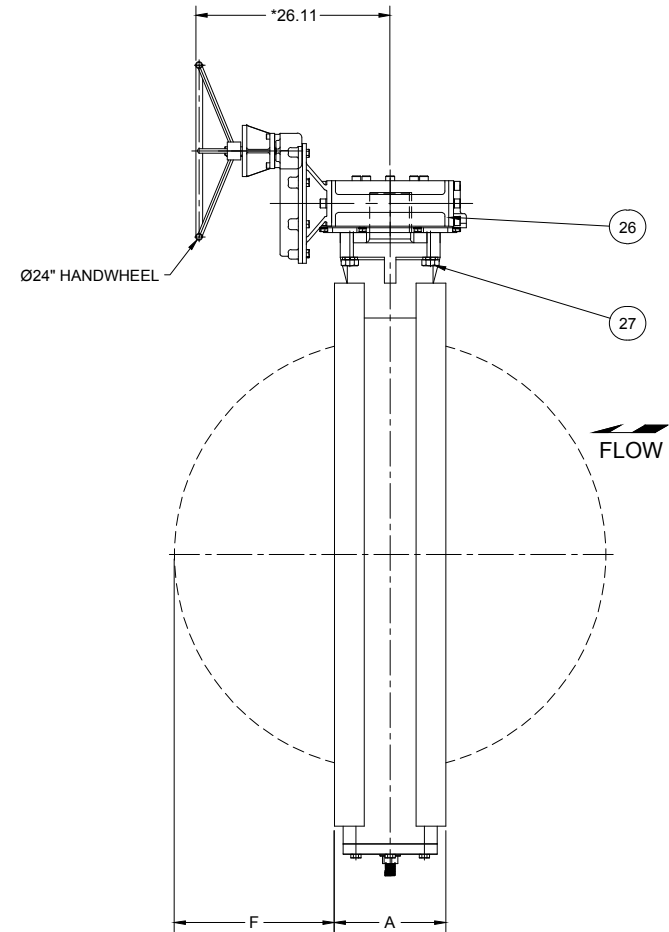
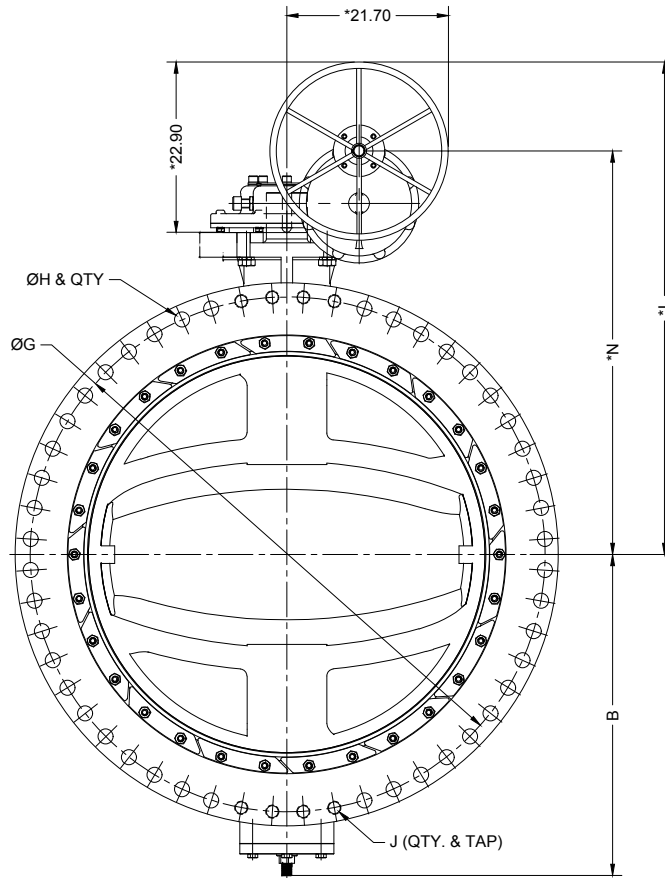
FLOW



POSITION D

OPTIONAL ACTUATOR POSITIONS;
CUSTOMER TO SPECIFY w/ORDER;
POSITION "D" SHOWN IN MAIN VIEW

*NOTE: Dimension may vary, refer to actuator
data sheets



- TECHNICAL REQUIREMENTS:
1. DESIGN STANDARD, AWWA C504
 2. FLANGE DRILLING PER ANSI B16.1 CLASS 125 FOR BOTH CLASS 150B AND 250B VALVES.
 3. DIMENSIONS IN INCHES, WEIGHT IN POUNDS.
 4. WORKING PRESSURE 150 PSI OR 250 PSI BASED ON CLASS.
 5. SHAFT DIAMETER AND BODY WALL THICKNESS PER AWWA C504.

REV.	DESCRIPTION	DATE	BY

SIZE	A	B	F TYP	ØG	QTY- ØH	J	L	N	MTG	WGT
54"	15	37.83	18.27	62.75	(36) - Ø2.00	(8) - 1 3/4 -5UNC	63.14	51.14	FA36	5900
60"	15	41.59	21.32	69.25	(44) - Ø2.00	(8) - 1 3/4 -5UNC	66.25	54.25	FA36	7450

GA INDUSTRIES, LLC

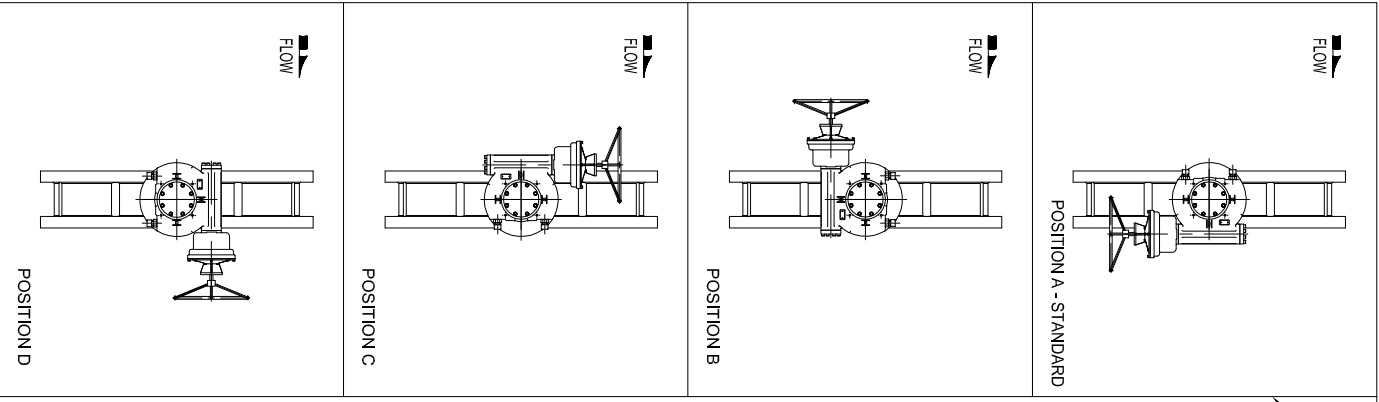
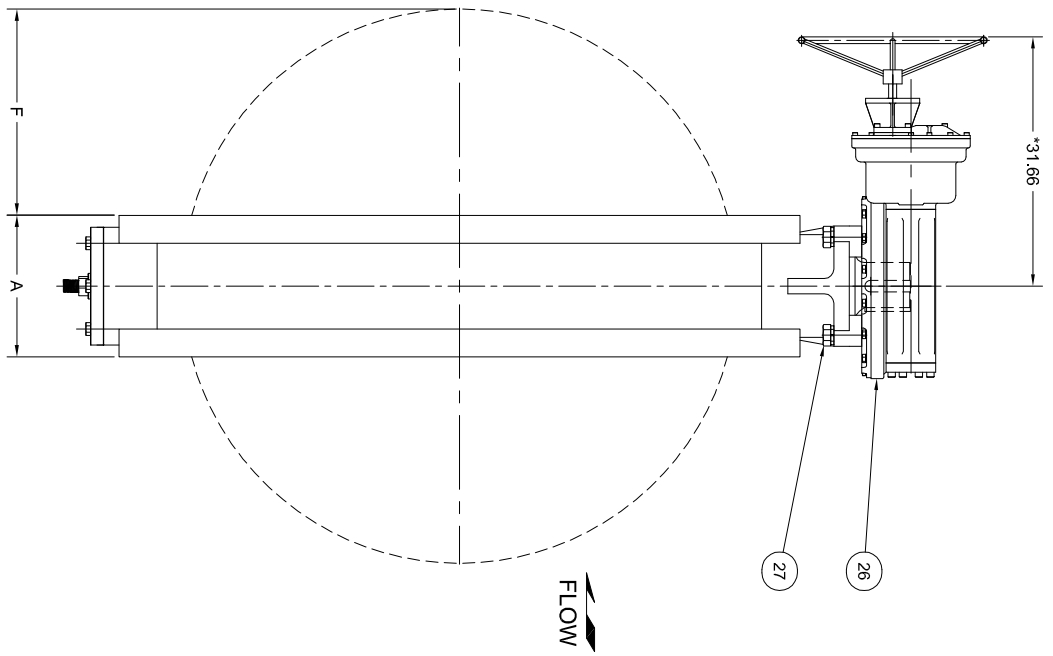
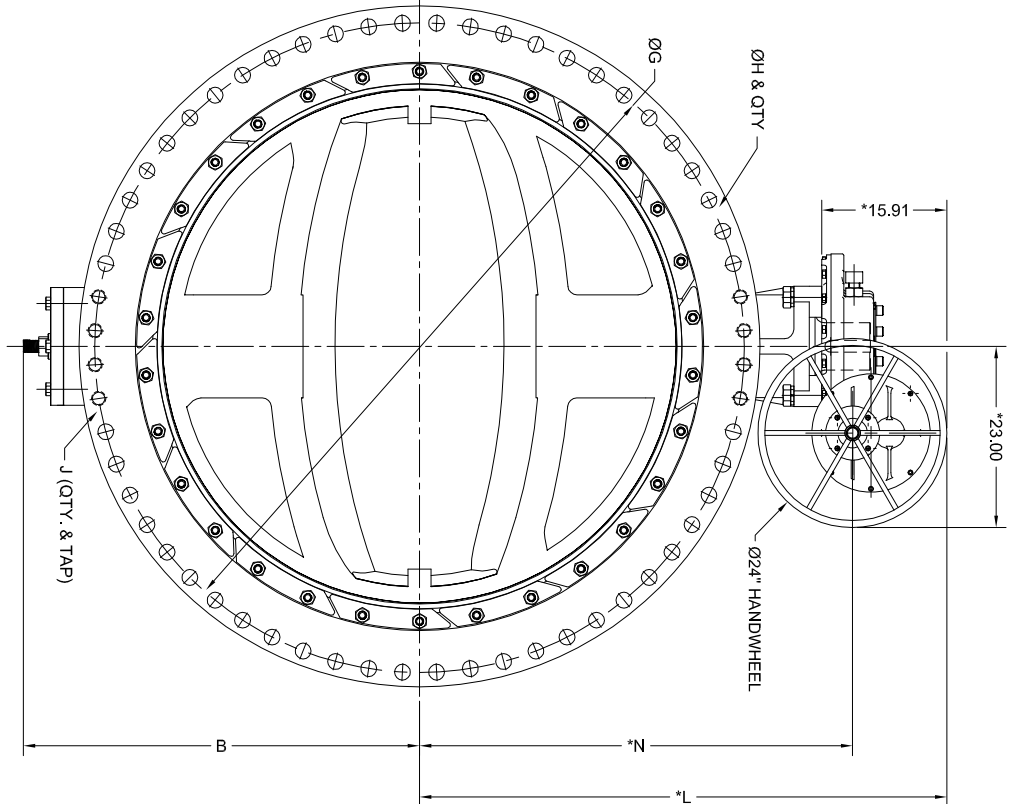
54"-60" ANSI FLANGED BUTTERFLY VALVE w/ ROTORK IW85 ABOVE GROUND GEARBOX 150B/250B

DIMENSIONS IN INCHES		SERIAL NO. 432019216	DRAWN BY DAK
STANDARD TOLERANCES (UNLESS OTHERWISE NOTED)		FIG. NUMBER 804	APPR. BY JT
X = ±.1		DATE 01-11-2017	SCALE N.T.S.
XX = ±.01		PROPERTY OF VAG USA, LLC	
XXX = ±.005		REFERENCES	FILE
FRACTIONS = 1/164		BF-1011	BF
ANGLES = ±1°		DRAWING NO.	REV.
DRAFTS: 3" MAX		BF-1200	*
PER ANSI Y14.5M GD&T -3/32 FLATNESS, ROUNDNESS, POSITION			

C:\Projects\Engineering\Autocad\Butterfly\BF-Show\BF-1200.dwg

OPTIONAL ACTUATOR POSITIONS:
CUSTOMER TO SPECIFY W/ORDER:
POSITION "D" SHOWN IN MAIN VIEW

*NOTE: Dimension may vary, refer to actuator data sheets



- TECHNICAL REQUIREMENTS:**
1. DESIGN STANDARD, AWWA C504
 2. FLANGE DRILLING PER ANSI B16.1 CLASS 125 FOR BOTH CLASS 150B AND 250B VALVES.
 3. DIMENSIONS IN INCHES, WEIGHT IN POUNDS.
 4. WORKING PRESSURE 150 PSI OR 250 PSI BASED ON CLASS.
 5. SHAFT DIAMETER AND BODY WALL THICKNESS PER AWWA C504.

REV.	DESCRIPTION	DATE	BY

SIZE	A	B	F TYP	ØG	QTY-ØH	J	L	N	MTG	WGT
66"	18	46.13	25.98	76.00	(44) - Ø2.00	(8) - 1 3/4 -5UNC	62.92	50.94	FA40	9400
72"	18	49.61	23.09	82.50	(62) - Ø2.00	(8) - 1 3/4 -5UNC	66.97	55.00	FA40	11500

GA INDUSTRIES, LLC
66"-72" ANSI FLANGED BUTTERFLY VALVE w/ ROTORK IW9
GEARBOX CLASS 150B/250B

DIMENSIONS IN INCHES		DRAWN BY DAK	
STANDARD DIMENSIONS (UNLESS OTHERWISE NOTED)	GA INDUSTRY STANDARD	SERIAL NO. 4320157611	DATE 04-28-2016
XX # 4 1/8	0 TO 4 - 1/8	FIG. NUMBER 804	SCALE N.T.S.
XX # 2 1/8	6 TO 12 - 1/8	PROPERTY OF GA INDUSTRIES, LLC	REFERENCES FILE BF-1011
XX # 1 1/2	12 AND > = 36		DRAWING NO. BF-1185
XX # 1 1/8			REV.
XX # 1 1/4			
XX # 1 1/2			
XX # 2			
XX # 2 1/2			
XX # 3			
XX # 3 1/2			
XX # 4			
XX # 4 1/2			
XX # 5			
XX # 5 1/2			
XX # 6			
XX # 6 1/2			
XX # 7			
XX # 7 1/2			
XX # 8			
XX # 8 1/2			
XX # 9			
XX # 9 1/2			
XX # 10			
XX # 10 1/2			
XX # 11			
XX # 11 1/2			
XX # 12			
XX # 12 1/2			
XX # 13			
XX # 13 1/2			
XX # 14			
XX # 14 1/2			
XX # 15			
XX # 15 1/2			
XX # 16			
XX # 16 1/2			
XX # 17			
XX # 17 1/2			
XX # 18			
XX # 18 1/2			
XX # 19			
XX # 19 1/2			
XX # 20			
XX # 20 1/2			
XX # 21			
XX # 21 1/2			
XX # 22			
XX # 22 1/2			
XX # 23			
XX # 23 1/2			
XX # 24			
XX # 24 1/2			
XX # 25			
XX # 25 1/2			
XX # 26			
XX # 26 1/2			
XX # 27			
XX # 27 1/2			
XX # 28			
XX # 28 1/2			
XX # 29			
XX # 29 1/2			
XX # 30			
XX # 30 1/2			
XX # 31			
XX # 31 1/2			
XX # 32			
XX # 32 1/2			
XX # 33			
XX # 33 1/2			
XX # 34			
XX # 34 1/2			
XX # 35			
XX # 35 1/2			
XX # 36			
XX # 36 1/2			
XX # 37			
XX # 37 1/2			
XX # 38			
XX # 38 1/2			
XX # 39			
XX # 39 1/2			
XX # 40			
XX # 40 1/2			
XX # 41			
XX # 41 1/2			
XX # 42			
XX # 42 1/2			
XX # 43			
XX # 43 1/2			
XX # 44			
XX # 44 1/2			
XX # 45			
XX # 45 1/2			
XX # 46			
XX # 46 1/2			
XX # 47			
XX # 47 1/2			
XX # 48			
XX # 48 1/2			
XX # 49			
XX # 49 1/2			
XX # 50			
XX # 50 1/2			
XX # 51			
XX # 51 1/2			
XX # 52			
XX # 52 1/2			
XX # 53			
XX # 53 1/2			
XX # 54			
XX # 54 1/2			
XX # 55			
XX # 55 1/2			
XX # 56			
XX # 56 1/2			
XX # 57			
XX # 57 1/2			
XX # 58			
XX # 58 1/2			
XX # 59			
XX # 59 1/2			
XX # 60			
XX # 60 1/2			
XX # 61			
XX # 61 1/2			
XX # 62			
XX # 62 1/2			
XX # 63			
XX # 63 1/2			
XX # 64			
XX # 64 1/2			
XX # 65			
XX # 65 1/2			
XX # 66			
XX # 66 1/2			
XX # 67			
XX # 67 1/2			
XX # 68			
XX # 68 1/2			
XX # 69			
XX # 69 1/2			
XX # 70			
XX # 70 1/2			
XX # 71			
XX # 71 1/2			
XX # 72			
XX # 72 1/2			
XX # 73			
XX # 73 1/2			
XX # 74			
XX # 74 1/2			
XX # 75			
XX # 75 1/2			
XX # 76			
XX # 76 1/2			
XX # 77			
XX # 77 1/2			
XX # 78			
XX # 78 1/2			
XX # 79			
XX # 79 1/2			
XX # 80			
XX # 80 1/2			
XX # 81			
XX # 81 1/2			
XX # 82			
XX # 82 1/2			
XX # 83			
XX # 83 1/2			
XX # 84			
XX # 84 1/2			
XX # 85			
XX # 85 1/2			
XX # 86			
XX # 86 1/2			
XX # 87			
XX # 87 1/2			
XX # 88			
XX # 88 1/2			
XX # 89			
XX # 89 1/2			
XX # 90			
XX # 90 1/2			
XX # 91			
XX # 91 1/2			
XX # 92			
XX # 92 1/2			
XX # 93			
XX # 93 1/2			
XX # 94			
XX # 94 1/2			
XX # 95			
XX # 95 1/2			
XX # 96			
XX # 96 1/2			
XX # 97			
XX # 97 1/2			
XX # 98			
XX # 98 1/2			
XX # 99			
XX # 99 1/2			
XX # 100			