

FIGURE NUMBER	INLET	OUTLET	MAXIMUM WORKING PRESSURE	PRESSURE RATING	HYDRO TEST PRESSURE	WEIGHT
950-DT	4" ANSI CLASS 125	4" NPT	150 PSI	150 PSI	300 PSI	90 Lbs
950-UT	4" ANSI CLASS 250	4" NPT	300 PSI	300 PSI	300 PSI	100 Lbs

PARTS LIST		
Part	Name	Material
1	Figure 930 Air & Vacuum Valve	Drawing EAV-7053-W
2	Figure 905 Air Release Valve	Drawing EAR-7010-W
3	Pipe Nipple	Brass

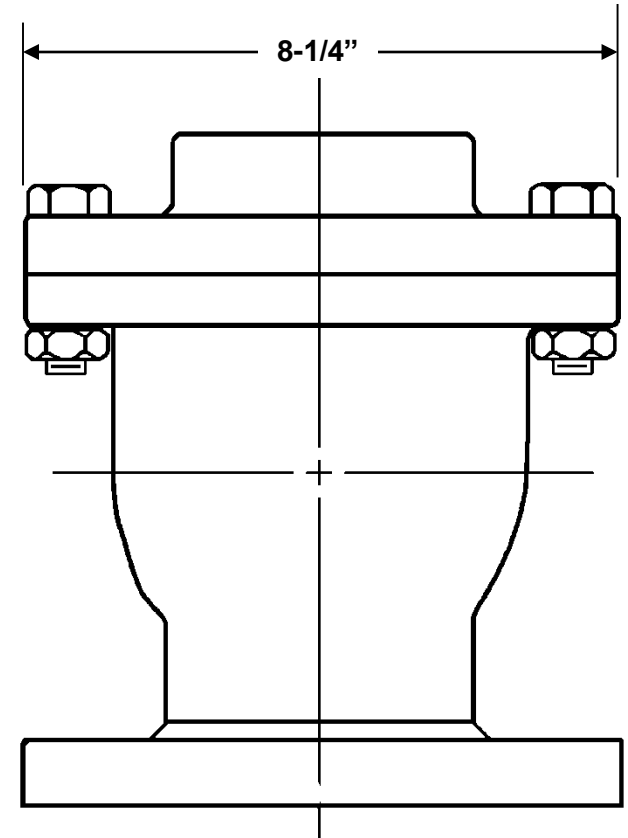
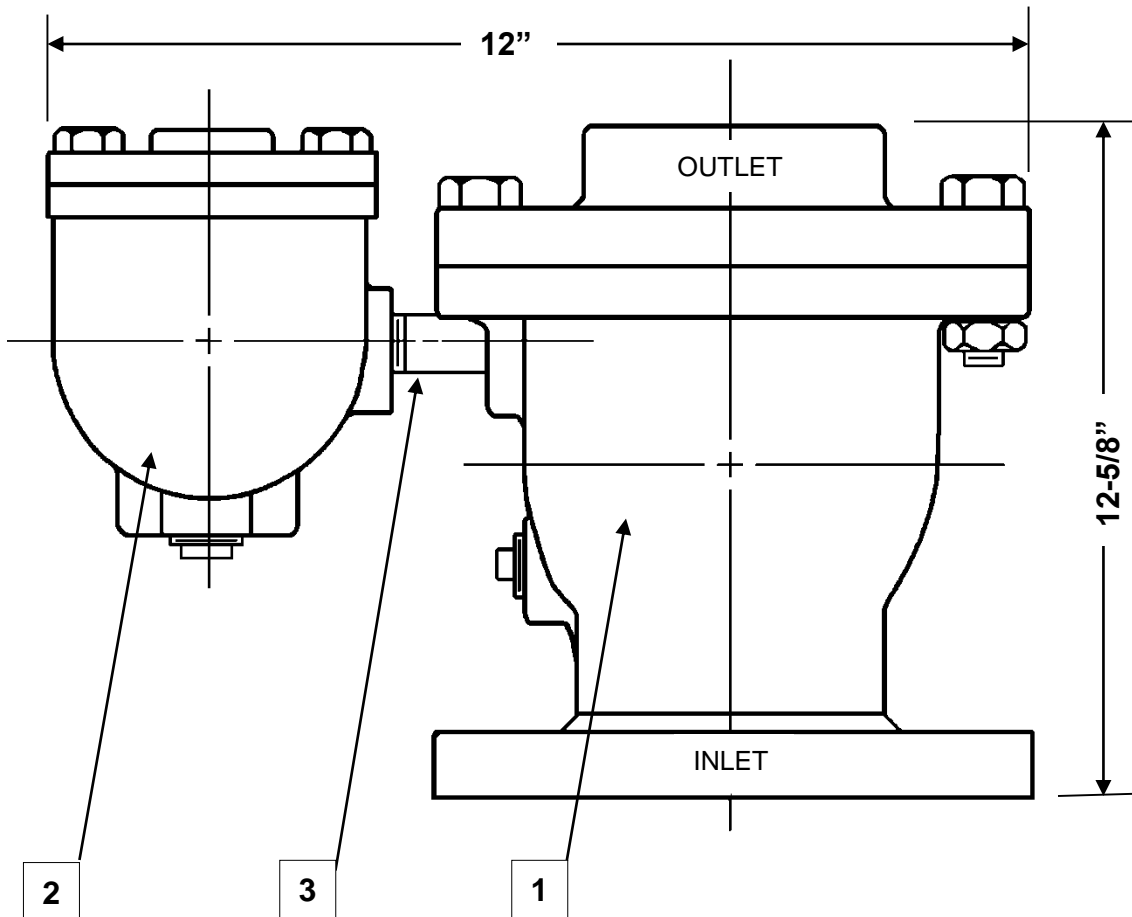


FIGURE 905 COMBINATION AIR VALVES  
ARE MANUFACTURED AND TESTED IN  
ACCORDANCE WITH AWWA C512

<b>GA INDUSTRIES, a VAG Brand</b>			
DATE:	1-14-09	DRAWN BY:	WJN
<b>4" DUAL BODY COMBINATION AIR VALVE</b>			
Figures 950DT, 950UT		DRAWING NO.	ECAV-7049-W
		REV	<b>A</b>