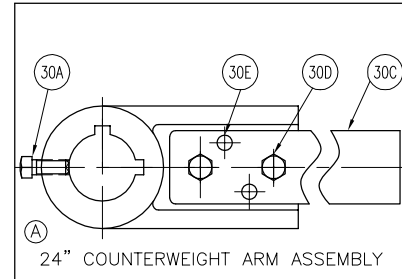
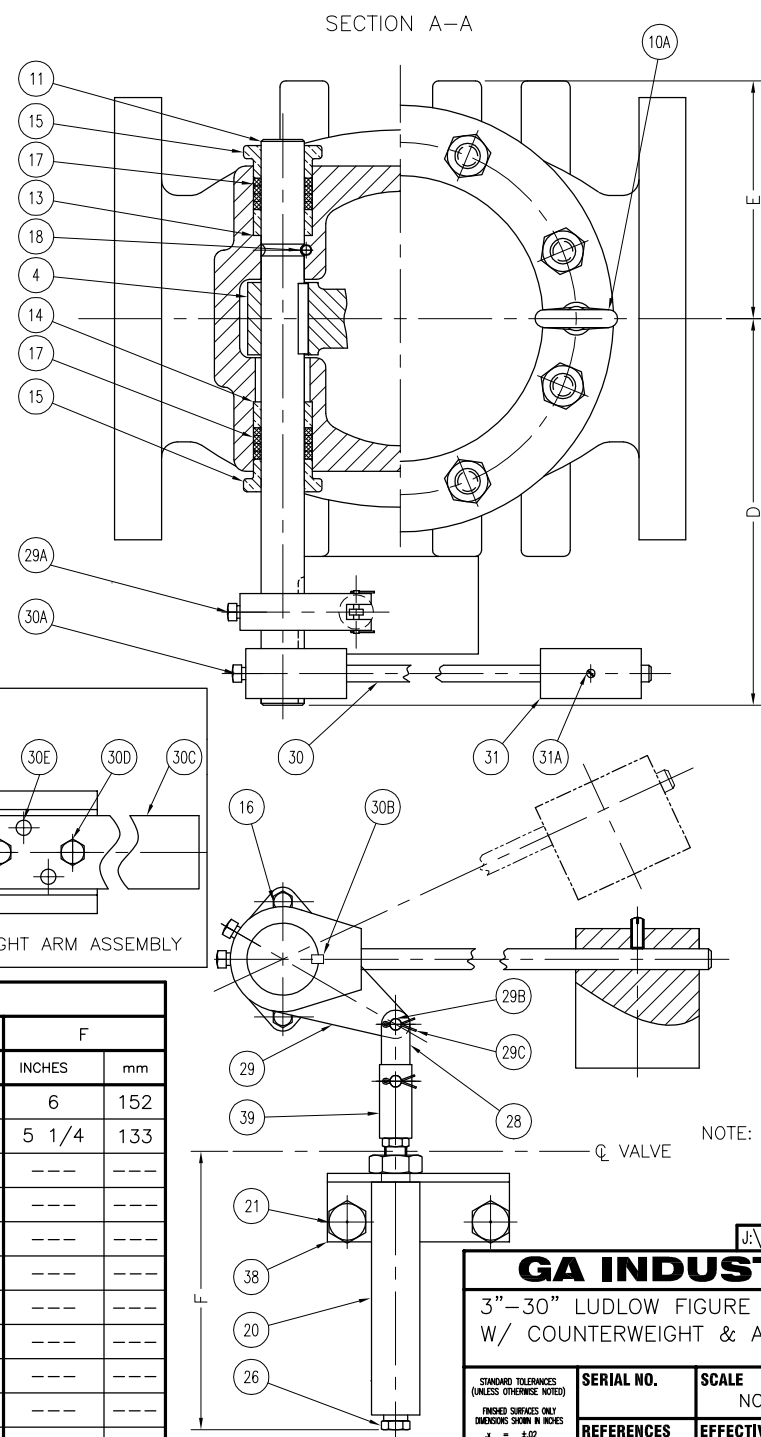
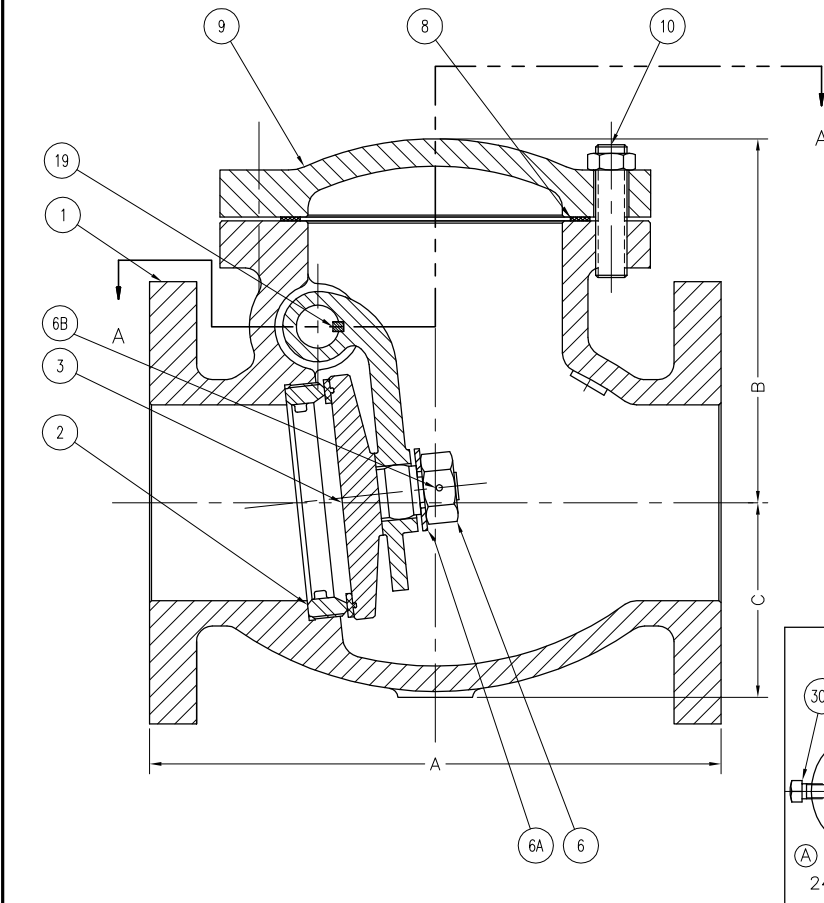


REV.	DESCRIPTION	DATE	BY
A	ADDED ITEM NO. 30B, ADDED 24" ITEM NO. 30C, 30D, AND 30E. ADDED 24" COUNTERWEIGHT ARM ASSEMBLY.	05-24-2007	JB
B	ADDED 16"-30" NOTE ON ITEM NO. 29C	08-02-2007	JB



NO.	DESCRIPTION
1	BODY
2	BODY SEAT
3	DISC W/SEAT
4	DISC ARM
6	DISC NUT
6A	DISC NUT WASHER
6B	DISC NUT PIN
8	COVER GASKET
9	COVER
10	COVER STUD W/NUT
10A	COVER EYE BOLT
11	SHAFT
13	INNER BUSHING
14	OUTER BUSHING
15	GLAND
16	GLAND BOLT
17	PACKING
18	SHAFT LOCK PIN
19	DISC ARM KEY
20	CUSHION CHAMBER W/MOUNTING NUT
21	CHAMBER BRACKET BOLTS
26	ORIFICE PLUG
28	LINK
29	LEVER
29A	LEVER SET SCREW
29B	LEVER PIN
29C	LEVER COTTER PIN (16"-30") SIZES ONLY
30	COUNTERWEIGHT ARM
30A	COUNTERWEIGHT ARM SET SCREW
30B	COUNTERWEIGHT ARM KEY
30C	CWT ARM (24" ONLY)
30D	CWT ARM BOLTS (24" ONLY)
30E	CWT ARM PINS (24" ONLY)
31	COUNTERWEIGHT
31A	COUNTERWEIGHT SET SCREW
38	CUSHION CHAMBER MOUNTING BRACKET
39	ROD CLEVIS W/PIN & NUT

DIMENSIONS

SIZE		A		B		C		D		E		F	
INCHES	mm	INCHES	mm	INCHES	mm	INCHES	mm	INCHES	mm	INCHES	mm	INCHES	mm
3"	80	9 1/2	241	6 1/4	157	3	76	9 3/4	247	4 1/4	102	6	152
4"	100	11 1/2	292	7 1/2	186	3 3/4	94	10 1/4	259	5	122	5 1/4	133
6"	150	14	356	9 1/2	237	4 7/8	125	12	301	6 1/4	158	---	---
8"	200	19 1/2	495	11 1/4	282	5	163	14 1/4	358	7 3/4	193	---	---
10"	250	24 1/2	622	14 1/4	357	7 1/2	188	15 1/4	387	9 1/4	233	---	---
12"	300	27 1/2	698	16 1/2	417	9	224	16 1/2	416	10 1/4	260	---	---
14"	350	31	787	17 3/4	447	10 1/2	265	17 1/2	439	11 1/4	280	---	---
16"	400	36	914	19 1/2	495	11 3/4	296	22	557	12 1/2	312	---	---
18"	450	40	1016	21 1/4	536	12 3/4	320	23 1/4	590	13 1/2	343	---	---
20"	500	40	1016	23 1/4	586	14	357	24 1/2	621	14 3/4	373	---	---
24"	600	47 5/8	1210	28 1/4	720	17 1/4	435	27	686	18 1/2	470	---	---
30"	750	60	1524	33	838	26	660	41	1041	---	---	---	---

NOTE: FLANGES PER ANSI B16.1, 125 Lb. CLASS

J:\AUTOCAD\GA-VALVE\GA-SHOW\C-1364-B.DWG

GA INDUSTRIES, INC.

3"-30" LUDLOW FIGURE 350 SWING CHECK VALVE
W/ COUNTERWEIGHT & AIR CUSHION

STANDARD TOLERANCES (UNLESS OTHERWISE NOTED) FINISHED SURFACES ONLY DIMENSIONS GIVEN IN INCHES X = ±.02 XX = ±.01 XXX = ±.005 FRACTIONS 31/64" ANGLES 31° FINISH 8" - XX RMS	SERIAL NO.	SCALE	DRAWN BY JB	
		NONE	APPR. BY JJF	
	REFERENCES	EFFECTIVE DATE 01-16-2007 TO		
		FIG. NUMBER	FILE	DRAWING NO.
		350	C	C-1364
				REV. B

AVAILABLE IN SIZES I AND III