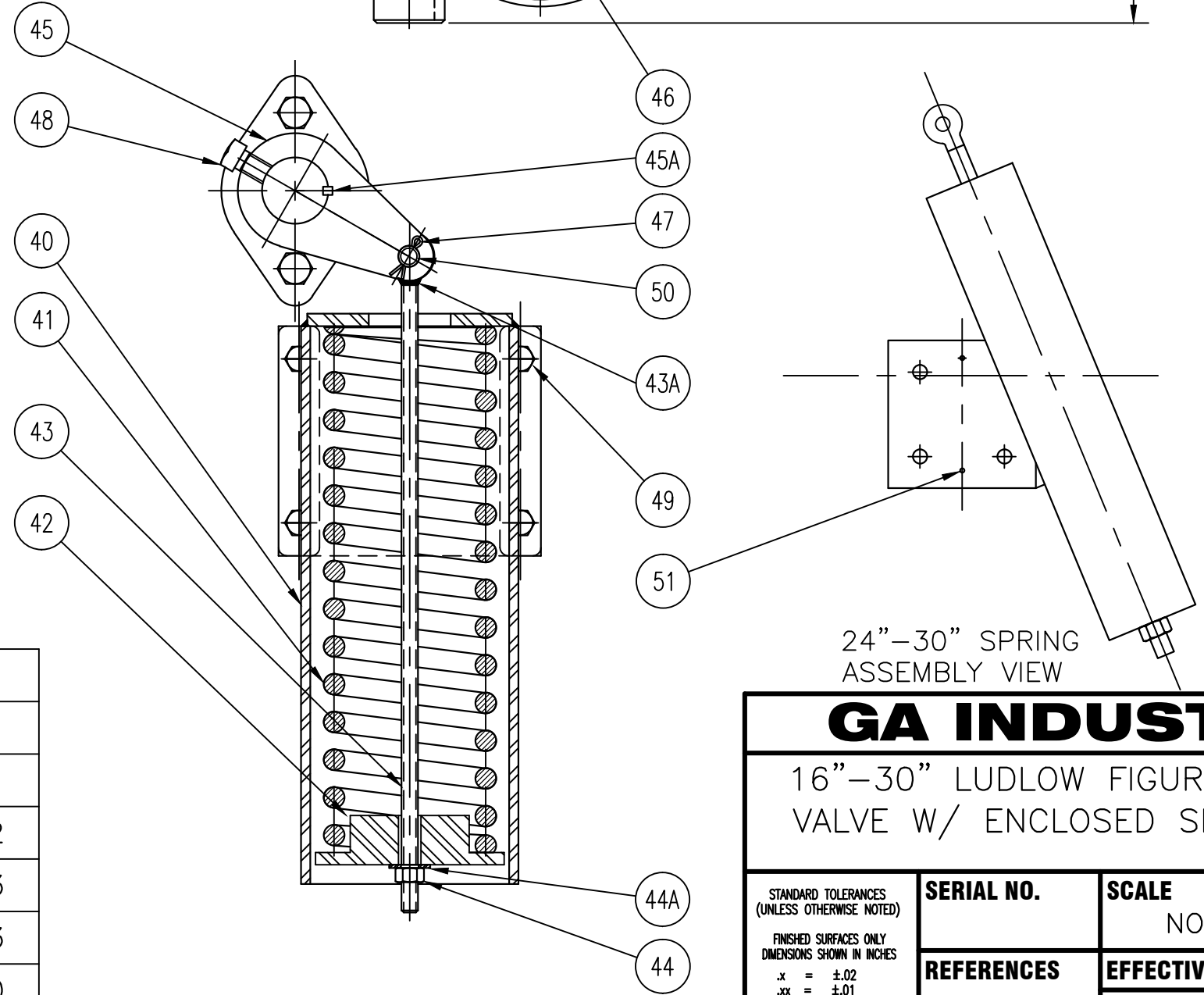
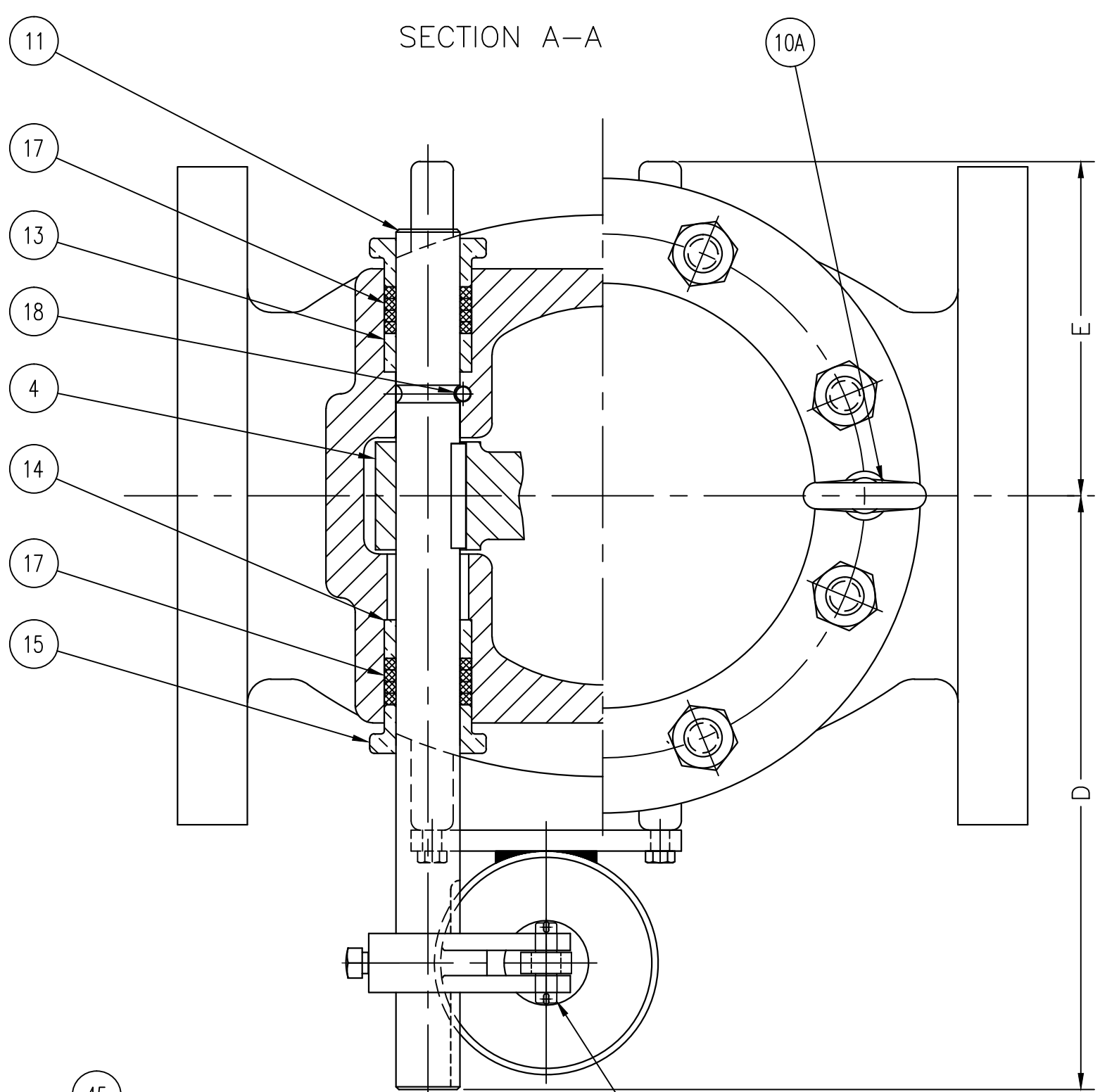
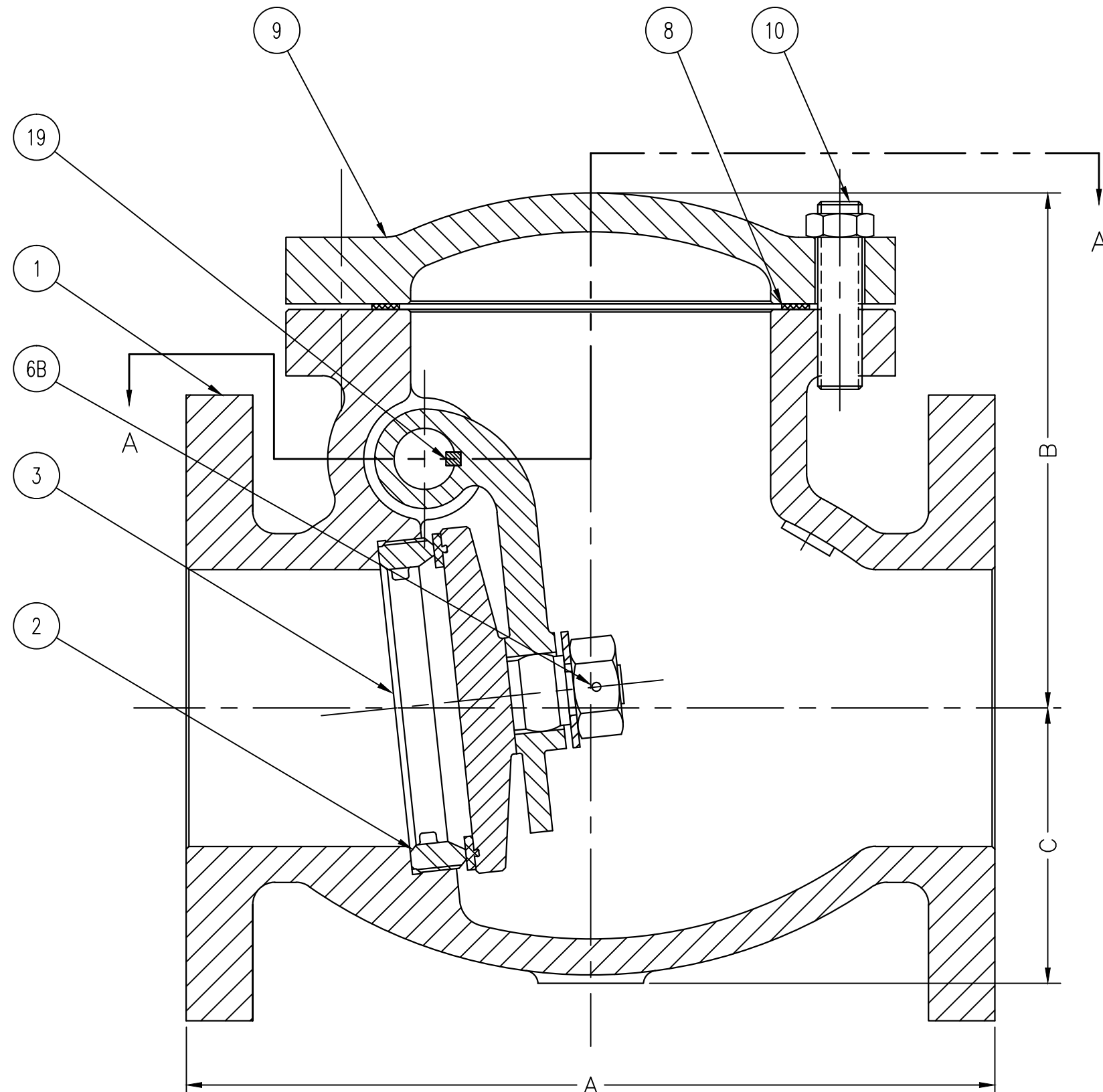


| REV. | DESCRIPTION | DATE | BY |
|------|-------------|------|----|
| | | | |



| NO. | DESCRIPTION |
|-----|----------------------------------|
| 1 | BODY |
| 2 | BODY SEAT |
| 3 | DISC W/SEAT |
| 4 | DISC ARM |
| 6 | DISC NUT |
| 6A | DISC NUT WASHER |
| 6B | DISC NUT PIN |
| 8 | COVER GASKET |
| 9 | COVER |
| 10 | COVER STUD W/NUT |
| 10A | COVER EYE BOLT |
| 11 | SHAFT |
| 13 | INNER BUSHING |
| 14 | OUTER BUSHING |
| 15 | GLAND |
| 16 | GLAND BOLT |
| 17 | PACKING |
| 18 | SHAFT LOCK PIN |
| 19 | DISC ARM KEY |
| 40 | SPRING CHAMBER/BRACKET |
| 41 | SPRING |
| 42 | SPRING SUPPORT |
| 43 | SPRING ROD |
| 43A | SPRING ROD END |
| 44 | SPRING ROD NUT |
| 44A | SPRING ROD WASHER |
| 45 | SPRING LEVER |
| 45A | SPRING LEVER KEY |
| 46 | SPRING LEVER PIN |
| 47 | LEVER PIN COTTER PIN |
| 48 | SPRING LEVER SET SCREW |
| 49 | SPRING ASSEMBLY SCREW |
| 50 | SPRING ROD BEARING |
| 51 | SPRING BRACKET ROLL PINS (24\"/> |

NOTE: FLANGES PER
ANSI B16.1, 125 Lb. CLASS

DIMENSIONS

| SIZE | | A | | B | | C | | D | | E | |
|--------|-----|--------|------|--------|-----|--------|-----|--------|------|--------|-----|
| INCHES | mm | INCHES | mm | INCHES | mm | INCHES | mm | INCHES | mm | INCHES | mm |
| 16" | 400 | 36 | 914 | 19 1/2 | 495 | 11 3/4 | 296 | 22 | 557 | 12 1/2 | 312 |
| 18" | 450 | 40 | 1016 | 21 1/4 | 536 | 12 3/4 | 320 | 23 1/4 | 590 | 13 1/2 | 343 |
| 20" | 500 | 40 | 1016 | 23 1/4 | 586 | 14 | 357 | 24 1/2 | 621 | 14 3/4 | 373 |
| 24" | 600 | 47 5/8 | 1210 | 28 1/4 | 720 | 17 1/4 | 435 | 27 | 686 | 18 1/2 | 470 |
| 30" | 750 | 60 | 1524 | 33 | 838 | 26 | 660 | 41 | 1041 | 22 | 559 |

GA INDUSTRIES, INC.

16"–30" LUDLOW FIGURE 340–S SWING CHECK VALVE W/ ENCLOSED SPRING

| | | | | |
|--|----------------|---------------|--------------|------|
| STANDARD TOLERANCES (UNLESS OTHERWISE NOTED) FINISHED SURFACES ONLY DIMENSIONS SHOWN IN INCHES .x = ±.02 .xx = ±.01 .xxx = ±.002 FRACTIONS ±1/64" ANGLES ±1° FINISH Ⓢ-xx RMS | SERIAL NO. | SCALE | DRAWN BY JB | |
| | | NONE | APPR. BY JJF | |
| REFERENCES | EFFECTIVE DATE | 06–20–2007 TO | | |
| | FIG. NUMBER | FILE | DRAWING NO. | REV. |
| | 340–S | C | C–1369 | |

J:\GA-VALVE\GA-SHOW\C-1369.DWG

AVAILABLE IN SIZES I AND III