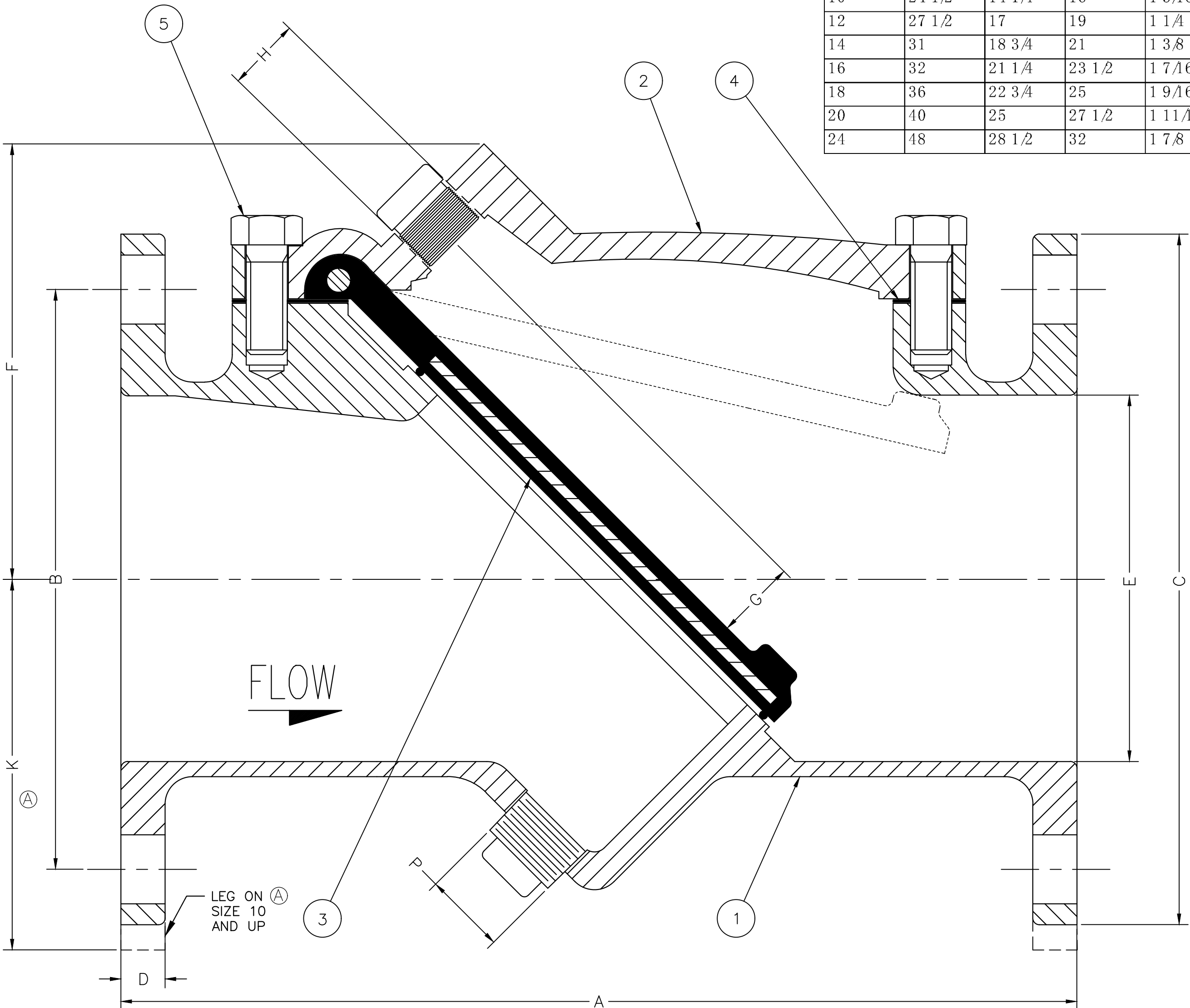


SIZE	A	B	C	D	E	F	BOLT SIZE	NO. OF BOLTS	G	H	P	K ^(A)	LEG WIDTH CENTERED
2	8	4 3/4	6	5/8	2	3 3/8	5/8	4	1 1/2" ALL SIZES	1" ALL SIZES	3/4" NPT	X	X
2 1/2	8 1/2	5 1/2	7	11/16	2 1/2	3 3/8	5/8	4					
3	9 1/2	6	7 1/2	3/4	3	5 1/8	5/8	4					
4	11 1/2	7 1/2	9	15/16	4	5 3/4	5/8	8					
6	15	9 1/2	11	1	6	6 7/8	3/4	8					
8	19 1/2	11 3/4	13 1/2	1 1/8	8	8 3/8	3/4	8					
10	24 1/2	14 1/4	16	1 3/16	10	10 3/4	7/8	12					
12	27 1/2	17	19	1 1/4	12	12 1/2	7/8	12					
14	31	18 3/4	21	1 3/8	14	13	1	12					
16	32	21 1/4	23 1/2	1 7/16	16	14 1/4	1	16					
18	36	22 3/4	25	1 9/16	18	15 1/4	1 1/8	16					
20	40	25	27 1/2	1 11/16	20	16 7/8	1 1/8	20					
24	48	28 1/2	32	1 7/8	24	19 1/4	1 1/4	20					
													2 1/2" NPT
											2 1/2" NPT	10 1/16	6 1/4
											2 1/2" NPT	11 7/8	7 7/8
											2 1/2" NPT	13	7 7/8
											2 1/2" NPT	14 1/8	10 1/4
											2 1/2" NPT	15	11
											2 1/2" NPT	16 1/2	11 7/8



No.	DESCRIPTION	QTY.	MATERIAL
1	BODY	1	DUCTILE IRON
2	COVER	1	DUCTILE IRON
3	DISC	1	RUBBER COATED STL
4	GASKET	1	NBR
5	COVER BOLTS	VARIABLE PER VALVE SIZE	SST

GA INDUSTRIES, LLC

2"–24" RUBBER FLAPPER SWING CHECK VALVE
WITH ANSI 125LB FLANGES

STANDARD TOLERANCES (UNLESS OTHERWISE NOTED) FINISHED SURFACES ONLY DIMENSIONS SHOWN IN INCHES .x = ±.02 .xx = ±.01 .xxx = ±.002 FRACTIONS ±1/64" ANGLES ±1° FINISH ⌀- XX RMS	SERIAL NO.	SCALE NONE	DRAWN BY SWR	
	REFERENCES	EFFECTIVE DATE 05-11-2010 TO	APPR. BY JT	
	FIG. NUMBER 200-D	FILE C	DRAWING NO. C-1404	REV. A

REV.	DESCRIPTION	DATE	BY
A	ADDED COLUMN AND DIMENSION K	02-24-2022	JCS

J:\AUTOCAD\GA-VALVE\GA-SHOW\C-1404.DWG