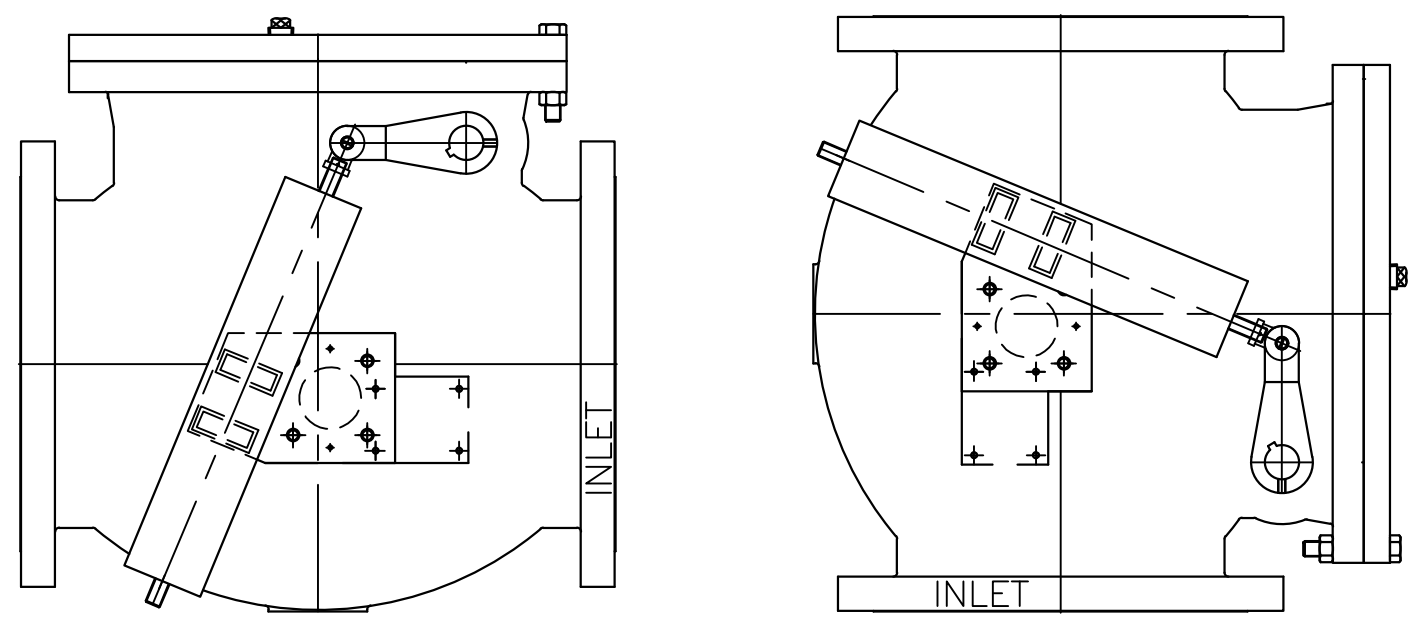


DIMENSIONS		
24"		
NO.	IN	MM
A	48	1219
B	28	711
C	20	508
D	23	584
E	34	864

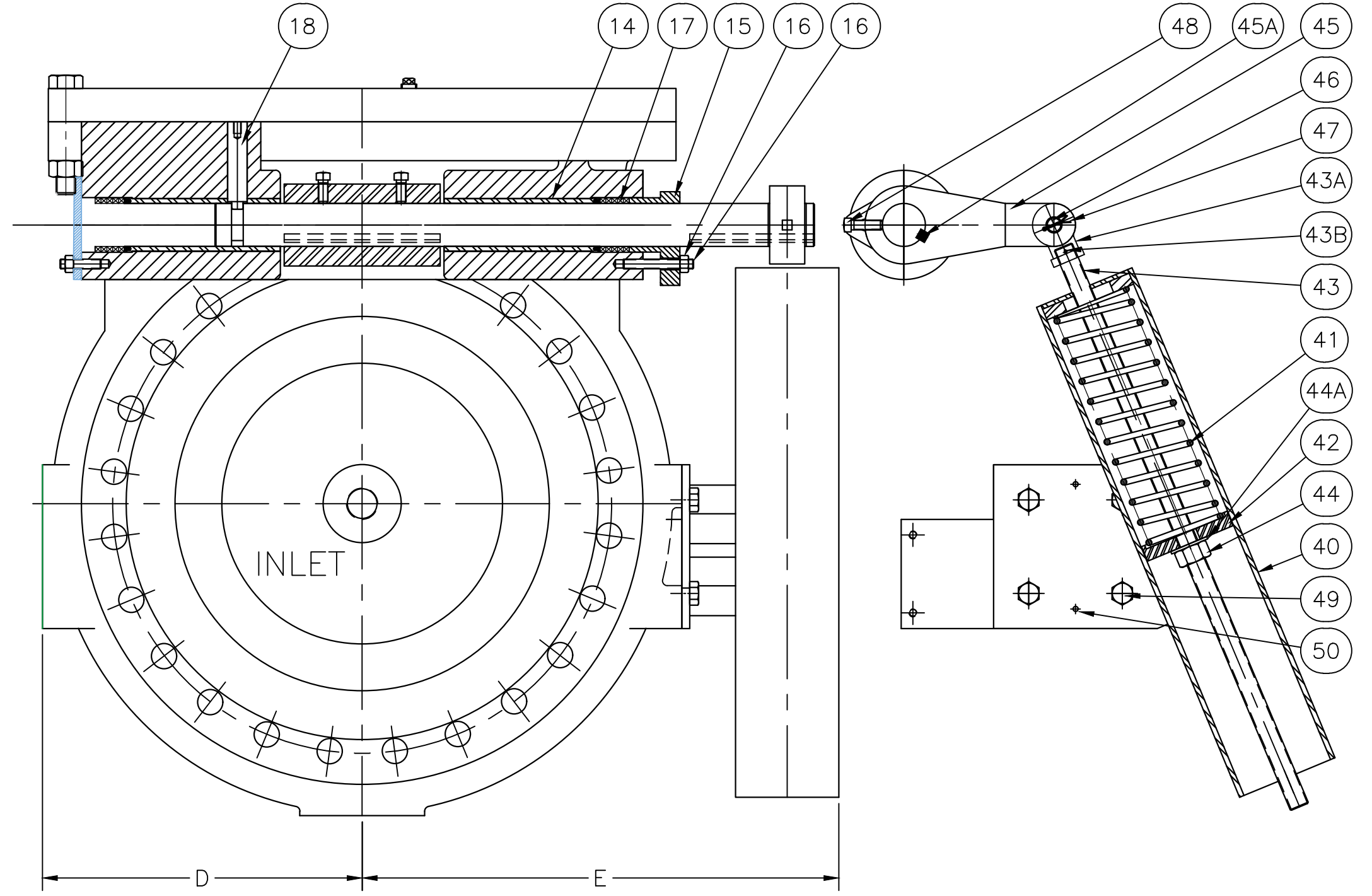
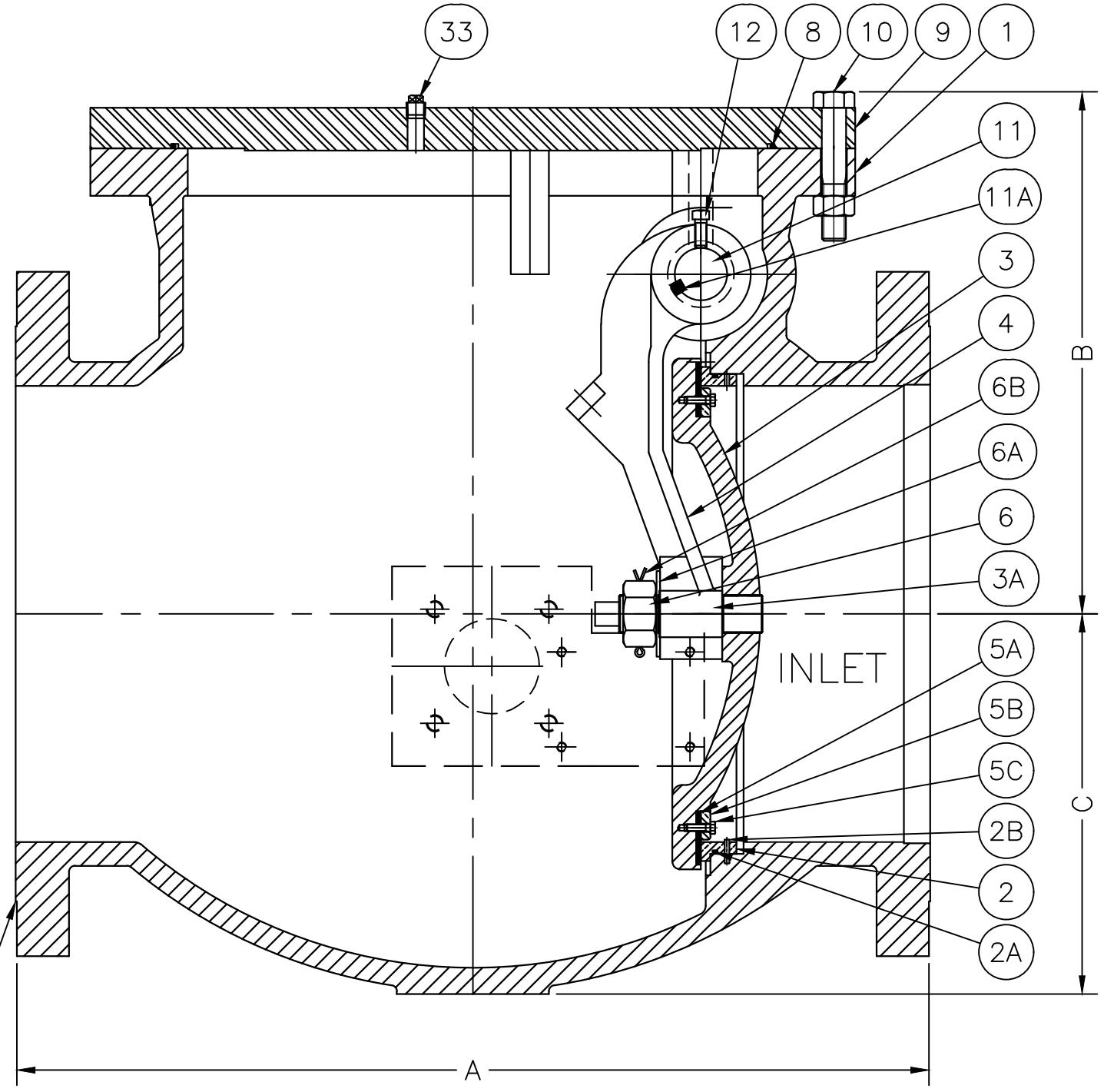
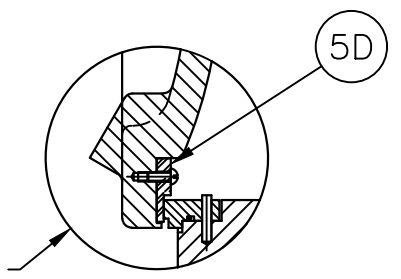
NO.	PART NAME	NO.	PART NAME	NO.	PART NAME
1	BODY	9	COVER	43A	SPRING ROD END
2	SEAT	10	CVER BOLTS	43B	SPRING ROD ANTI-ROTATION PIN
2A	SEAT SEAL	11	SHAFT	44	SPRING ROD NUT
2B	SEAT PIN	11A	DISC ARM KEY	44A	SPRING ROD WASHER
3	DISC	12	DISC ARM SET SCREW	45	SPRING LEVER
3A	DISC CENTER PIN	14	OUTER BUSHING	45A	SPRING LEVER KEY
4	DISC ARM	15	GLAND	46	SPRING LEVER PIN
5A	RENEWABLE SEAT	16	GLAND BOLTS	47	LEVER PIN COTTER PINS
5B	SEAT FOLLOWER	17	GLAND PACKING	48	SPRING LEVER SET SCREW
5C	SEAT SCREWS	18	SHAFT PIN	49	SPRING ASSEMBLY SCREWS
5D	METAL SEAT	33	COVER PLUG	50	SPRING BRACKET ROLL PINS
6	DISC NUT	40	SPRING CHAMBER BRACKET	51	ANTI-ROTATION PIN
6A	DISC WASHER	41	SPRING	52	ANTI-ROTATION PIN SCREW
6B	DISC COTTER PIN	42	SPRING SUPPORT		
8	COVER SEAL	43	SPRING ROD		

HORIZONTAL INSTALLATION

VERTICAL INSTALLATION



OPTIONAL METAL TO METAL



"A" DIMENSION ON VALVES WITH RAISED FACE FLANGES DOES NOT INCLUDE THE RAISED FACE HEIGHT

REV.	DESCRIPTION	DATE	BY
* *			

**GA INDUSTRIES**  
 24" SWING CHECK VALVE  
 W/SINGLE LEVER & SPRING

SERIAL NO. *	DRAWN BY JCS
FIG. NO. 230-DS/US	APPR. BY SWR
DATE 04-15-2021	SCALE NTS
PROPERTY OF GA INDUSTRIES, LLC	
REFERENCES LYSC0168	FILE C
DRAWING NO. C-1450	REV. *

C:\PROJECTS\ENGINEERING\AUTOCAD\GA-VALVE\GA-SHOW\C-1450.DWG