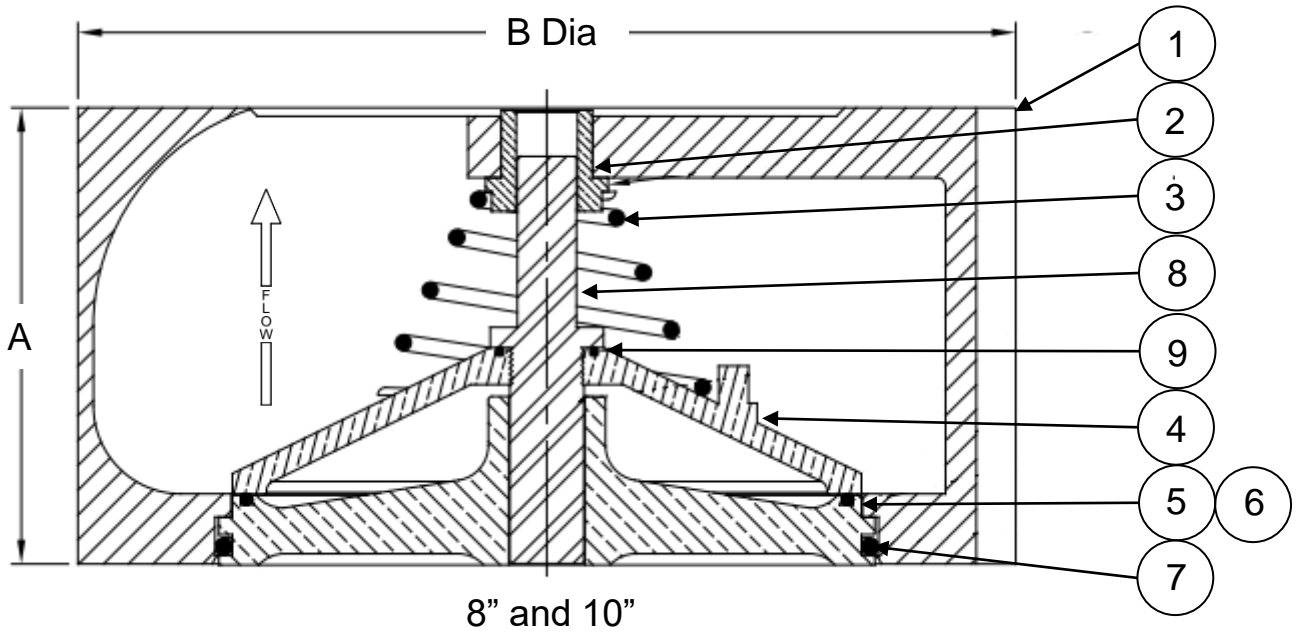
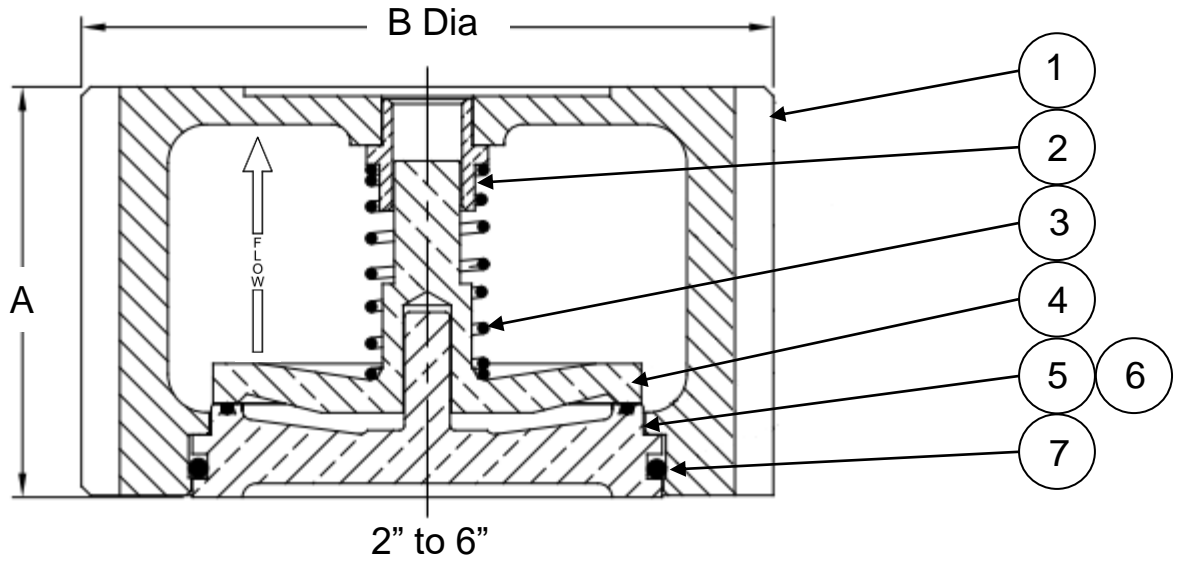


SIZE	A	B	Wgt
2"	2 <sup>5</sup> / <sub>8</sub>	4 <sup>1</sup> / <sub>4</sub>	5
2 <sup>1</sup> / <sub>2</sub> "	2 <sup>7</sup> / <sub>8</sub>	5	7
3"	3 <sup>1</sup> / <sub>8</sub>	5 <sup>3</sup> / <sub>4</sub>	11
4"	4	7	18
6"	5 <sup>1</sup> / <sub>2</sub>	9 <sup>3</sup> / <sub>4</sub>	36
8"	6 <sup>1</sup> / <sub>2</sub>	13 <sup>3</sup> / <sub>8</sub>	80
10"	8 <sup>1</sup> / <sub>4</sub>	16	129

Dimensions in inches, weights in pounds and are approximate



Item	Description	Material	Specification
1	Body	Ductile Iron*	ASTM A535 65-45-12
2	Bushing	Lead Free Bronze	C95400
3	Spring	Stainless Steel	Type 302
4	Poppet	Lead Free Bronze	C87600 or C87800
5	Seat Ring	Lead Free Bronze	C87600 or C87800
6**	O-Ring	Rubber	EPDM
7	O-ring	Rubber	EPDM
8	Stem	Stainless Steel	Type 316
9	Stem Seal	Rubber	EPDM

\* Fusion bond epoxy lined and coated

\*\* Item 6 not used in metal-to-metal seated valves

2" to 6" Max Pressure 500 PSI up to 150F  
8" & 10" Max Pressure 300 PSI up to 150F

<b>GA INDUSTRIES, a VAG Brand</b>		
DATE: 10-3-21	DRAWN BY: WJN	
Figure F290 Wafer Silent Check Valves		
	DRAWING NO. C-7024F	REV