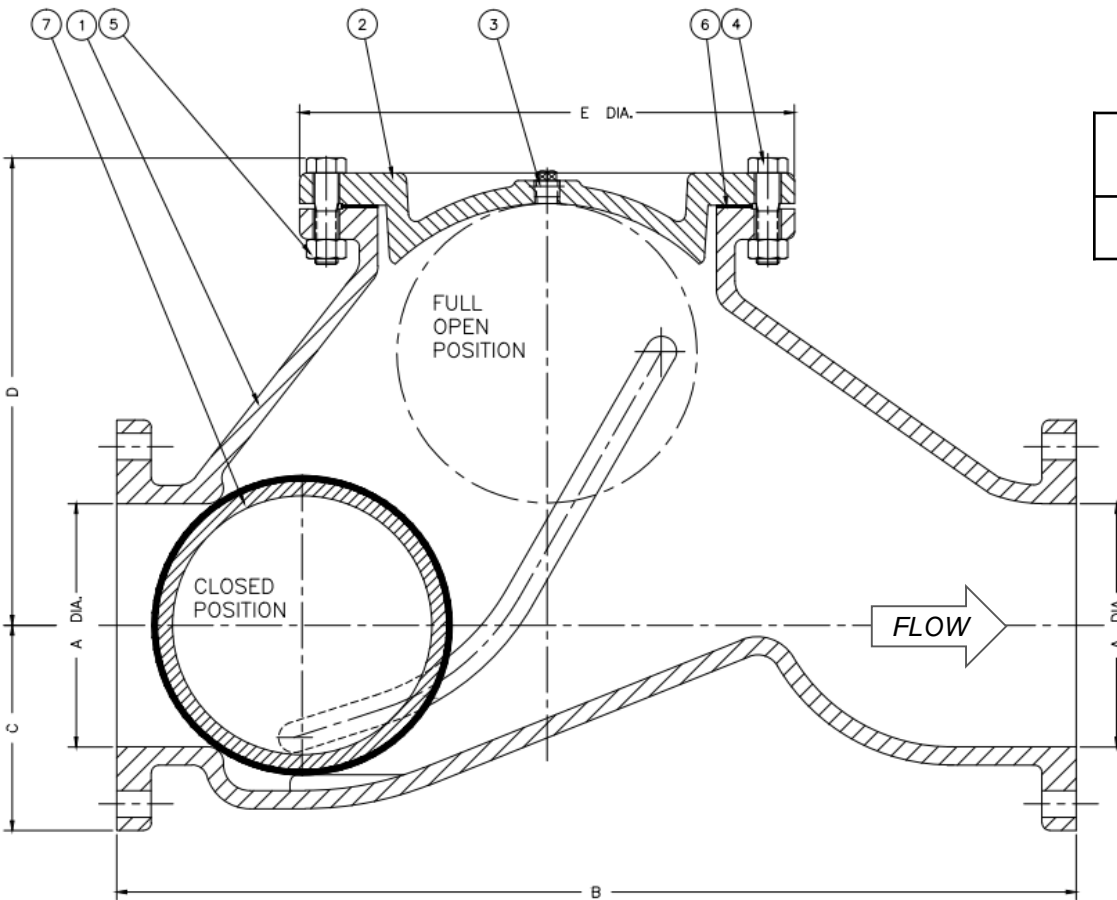


SIZE	3"	4"	6"	8"	10"	12"
A	3"	4"	6"	8"	10"	12"
B	13-1/2"	17-1/2"	24-1/4"	31-1/2"	39-5/8"	46-1/4"
C	3-3/4"	4-1/2"	5-1/2"	6-5/8"	8"	9-1/2"
D	7-1/8"	9-1/4"	12-3/4"	15-5/8"	19-3/4"	24-1/8"
E	8-5/8"	10-3/8"	13-5/8"	16-3/8"	20-1/8"	22-1/8"
WGT	60 lbs.	100 lbs.	230 lbs.	370 lbs.	630 lbs.	830 lbs.

Dimensions and weights approximate. Consult factory if critical.

PARTS LIST		
Part	Name	Material
1	Body	Cast Iron, ASTM A126 Class B
2	Cover	Cast Iron, ASTM A126 Class B
3	Pipe Plug	Steel
4	Cover Bolt	Zinc Plated Steel
5	Cover Nut	Zinc Plated Steel
6	Cover Gasket	Composition
7	Ball	Buna-N Rubber/Aluminum Core

FIGURE NUMBER	FLANGE	MAXIMUM WORKING PRESSURE	HYDRO TEST PRESSURE
240-D	ANSI Class 125	150 PSI	225 PSI



NOTES.

1. ANSI Class 125 supplied flat faced
2. Valve suitable for horizontal or vertical up flow direction.

GA INDUSTRIES, a +GF+ Brand		
DATE:	12-27-20	DRAWN BY: WJN
BALL CHECK VALVE		
Figure 240-D	DRAWING NO. C-7058-W	REV