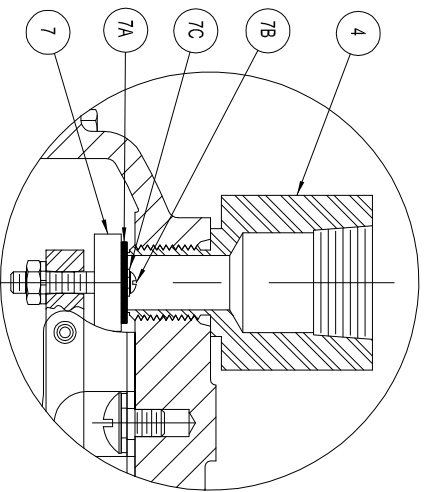
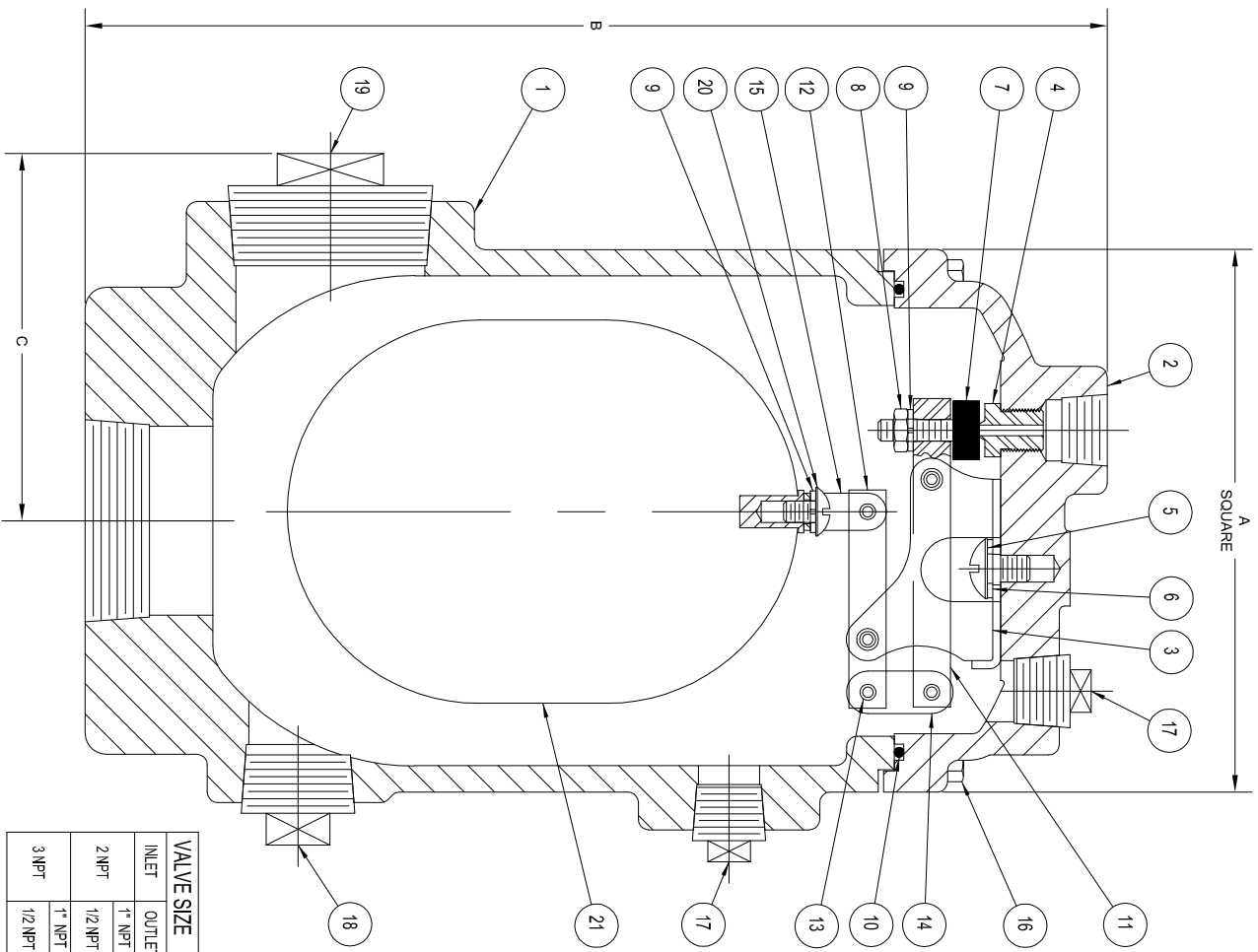


PARTS LIST

PART No.	DESCRIPTION	MATERIAL
1	BODY	CAST IRON A:28 CLASS B
2	COVER	CAST IRON A:28 CLASS B
3	LEVERAGE BRACKET	316 STAINLESS STEEL
4	ORIFICE	18-8 STAINLESS STEEL
5	BRACKET SCREWS	18-8 STAINLESS STEEL
6	BRACKET LOCKWASHER	18-8 STAINLESS STEEL
7	ORIFICE BUTTON	BUN-M-NI/18-8 STAINLESS STEEL
7A	ORIFICE BUTTON SEAT	BUN-M-NI
7B	ORIFICE BUTTON SCREW	18-8 STAINLESS STEEL
7C	ORIFICE BUTTON WASHER	18-8 STAINLESS STEEL
8	HEX NUT	18-8 STAINLESS STEEL
9	LOCKWASHERS	18-8 STAINLESS STEEL
10	ORING	BUN-M-NI
11	LEVER ARM	316 STAINLESS STEEL
12	FLOAT ARM	316 STAINLESS STEEL
13	SPRIG PINS	302 STAINLESS STEEL
14	AIR-RELEASE VALVE LINKS	316 STAINLESS STEEL
15	PIVOT LINK	316 STAINLESS STEEL
16	COVER BOLTS	STEEL GRADE 2
17	PIPE PLUG 1/2 NPT	STEEL (COMM.)
18	PIPE PLUG 1" NPT	MALLEABLE IRON
19	PIPE PLUG 2 NPT	CAST IRON
20	FLOAT CAP SCREW	18-8 STAINLESS STEEL
21	FLOAT BALL	316 STAINLESS STEEL

*NOTE: FOR 5/8 ORIFICE SIZE ONLY.



ORIFICE & ORIFICE BUTTON ASSEMBLY
FOR 5/8 ORIFICE SIZE ONLY

VALVE SIZE	INLET	OUTLET	DIMENSION			ORIFICE SIZE	PRESSURE RATING
2 NPT	1" NPT	3/8"	13.75	4.50	5/8 OPT.	50 PSI	
	1/2 NPT	3/8"	12.00	4.50	3/8 STD.	150 PSI	
3 NPT	1" NPT	3/8"	13.75	4.50	7/32 OPT.	300 PSI	
	1/2 NPT	3/8"	12.00	4.50	5/8 OPT.	50 PSI	
					3/8 STD.	150 PSI	
					7/32 OPT.	300 PSI	

BREAK SHARP EDGES

DIMENSIONS IN INCHES
STANDARD TOLERANCES (UNLESS OTHERWISE NOTED)
(FOR MACHINED SURFACES)
X = ±.1
XX = ±.01
XXX = ±.005
FRACTIONS = ±1/64
ANGLES = ±1°
DRAFTS: 3° MAX
PER ANSI Y14.5M GD&T ©2012 FLATNESS, ROUNDNESS, POSITION

GA INDUSTRIES, LLC

FIG. #922 HIGH CAPACITY AIR-RELEASE VALVE WITH SST 316 INTERNALS

REV. A REDRAWN IN AUTOCAD;
MALLEABLE IRON WAS CAST IRON,
DAK, 09-09-2015

SERIAL NO.	DRAWN BY	SCALE	REV.
FIG. NUMBER 922	APPR. BY	N.T.S.	A
DATE 10-29-1990			
PROPERTY OF GA INDUSTRIES, LLC			
REFERENCES FILE	DRAWING NO.		
EAR-7005-1	EAR-7005		