

SIZE	INLET	OUTLET	AIR RELEASE DRAWING	A	B	C	D	WEIGHT WITH FLUSH ATTACHMENTS
2"	2" NPT	½" NPT	EAR-7008S-W	26"	30"	3"	4"	75 lbs
3"	3" NPT	½" NPT	EAR-7008S-W	28"	32"	5"	5½"	81 lbs

CONNECT HOSE  
HERE TO CLEAN  
ORIFICE

FLUSH VALVE - ½" STAINLESS  
STEEL BALL VALVE

5 FT. RUBBER HOSE WITH ½"  
STAINLESS STEEL QUICK  
CONNECTS

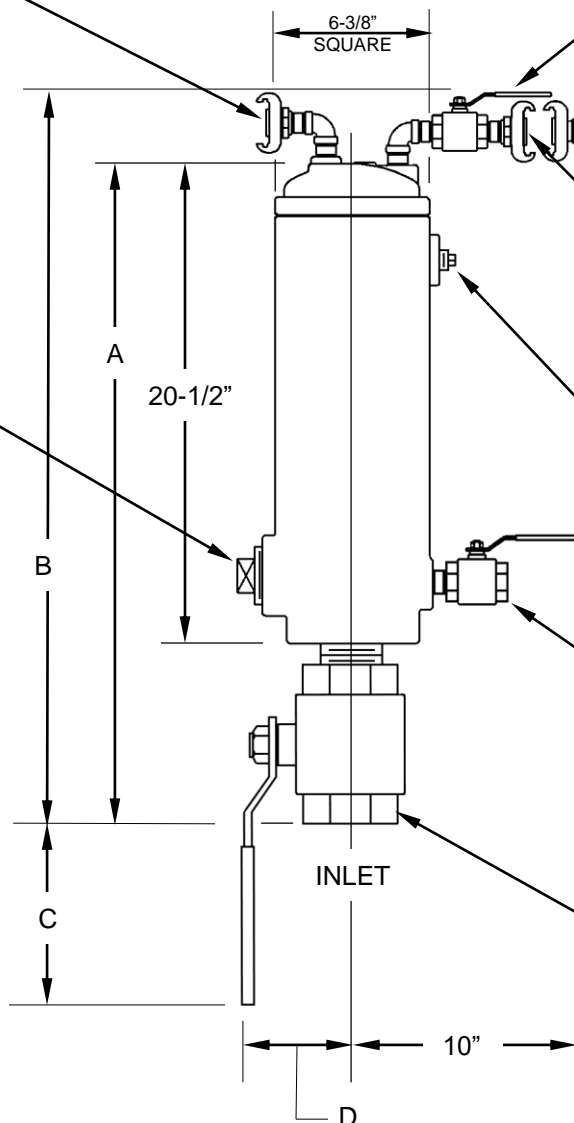
2" NPT  
CLEANOUT  
PORT  
(PLUGGED)

CONNECT HOSE HERE  
TO CLEAN LINKAGE  
MECHANISM

ALTERNATE FLUSH  
CONNECTION

BLOW OFF VALVE  
1" STAINLESS STEEL  
BALL VALVE

STAINLESS STEEL  
ISOLATION BALL  
VALVE



**NOTES**

1. PIPE FITTINGS AND NIPPLES – STAINLESS STEEL
2. QUICK CONNECTS COUPLINGS – STAINLESS STEEL

<b>GA INDUSTRIES, a VAG Brand</b>		
DATE:	3/31/09	DRAWN BY: WJN
<b>STAINLESS STEEL SEWAGE AIR RELEASE VALVE WITH STAINLESS STEEL FLUSHING ATTCHMENTS</b>		
<b>FIGURE 925SS-F</b>		DRAWING NO. <b>EAR-7008SF-W</b>
		REV <b>A</b>