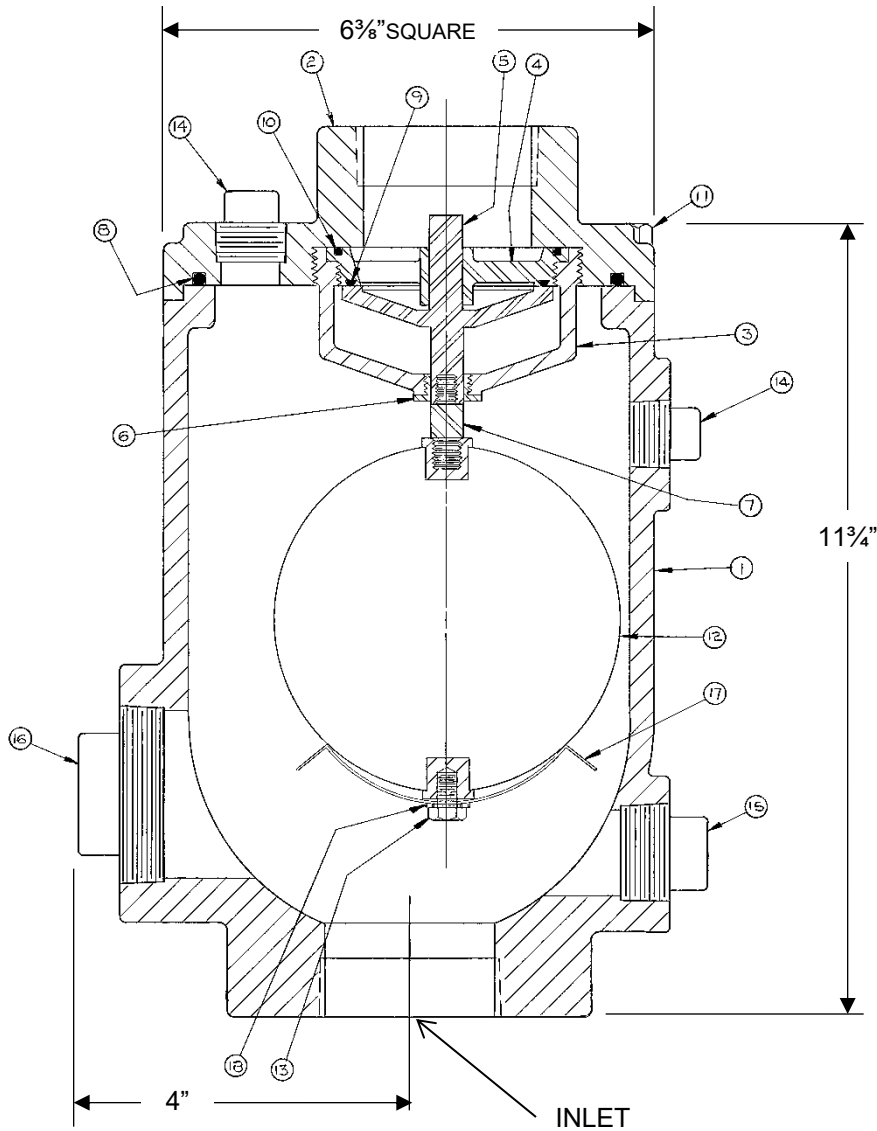


PARTS LIST

ITEM	DESCRIPTION	MATERIAL
1.	BODY	316 STAINLESS STEEL
2.	COVER	316 STAINLESS STEEL
3.	CAGE	316 STAINLESS STEEL
4.	SEAT	316 STAINLESS STEEL
5.	PLUG	316 STAINLESS STEEL
6.	BUSHING	316 STAINLESS STEEL
7.	CONNECTOR	316 STAINLESS STEEL
8.	COVER O-RING	BUNA-N
9.	RENEWABLE SEAT	BUNA-N
10.	SEAT O-RING	BUNA-N
11.	COVER BOLTS	316 STAINLESS STEEL
12.	FLOAT BALL	316 STAINLESS STEEL
13.	FLOAT SCREW	NYLON
14.	PIPE PLUG, 1/2"	316 STAINLESS STEEL
15.	PIPE PLUG, 1"	316 STAINLESS STEEL
16.	PIPE PLUG, 2"	316 STAINLESS STEEL
17.	FLOAT HOOD	316 STAINLESS STEEL
18.	LOCK WASHER	410 STAINLESS STEEL



INLET	OUTLET	WGT
2" NPT	1" NPT	40 lbs.
2" NPT	2" NPT	
3" NPT	2" NPT	

GA INDUSTRIES a +GF+ Brand		
DATE: 8-8-08	DRAWN BY: WJN	
DUROVENT™ ALL STAINLESS STEEL SHORT BODY SEWAGE AIR & VACUUM VALVE		
FIGURE 939SS	DRAWING NO. EAV-7047S-W	REV B