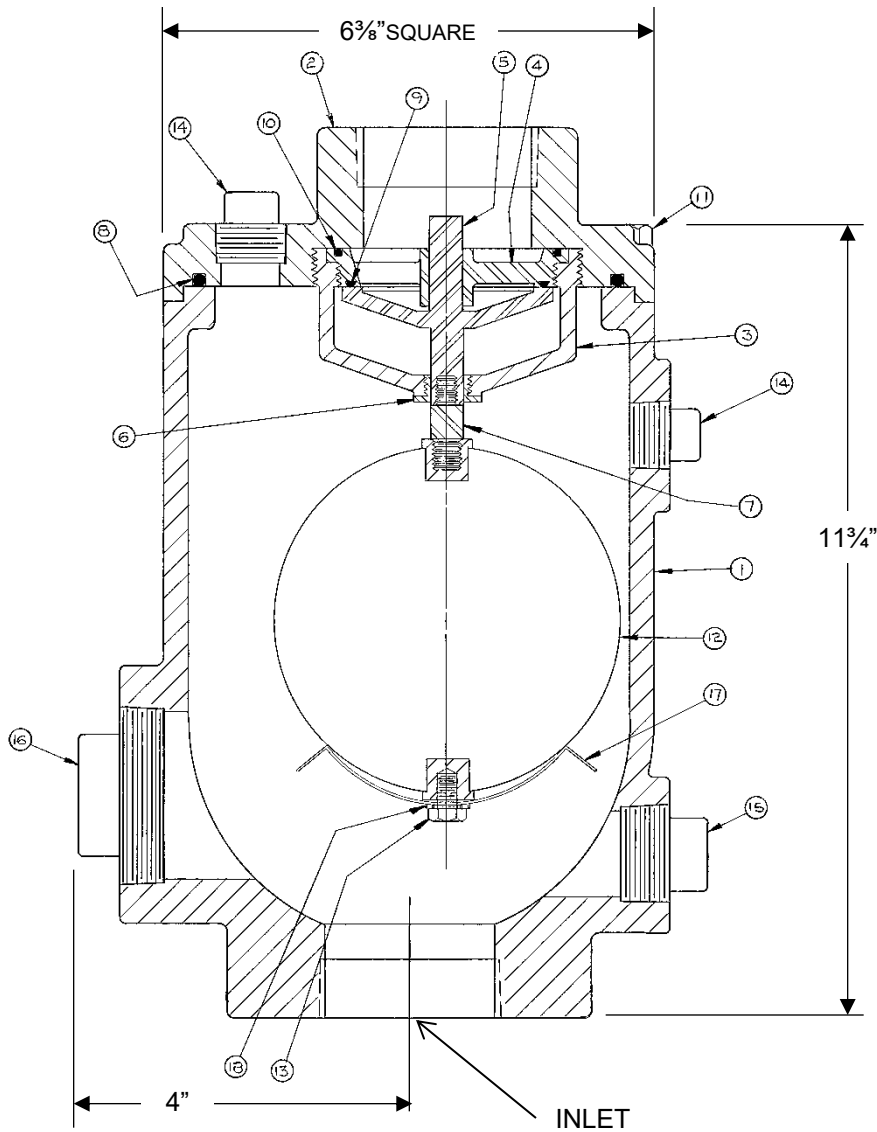


**PARTS LIST**

ITEM	DESCRIPTION	MATERIAL
1.	BODY	CAST IRON, ASTM A126-B*
2.	COVER	CAST IRON, ASTM A126-B*
3.	CAGE	316 STAINLESS STEEL
4.	SEAT	316 STAINLESS STEEL
5.	PLUG	316 STAINLESS STEEL
6.	BUSHING	316 STAINLESS STEEL
7.	CONNECTOR	316 STAINLESS STEEL
8.	COVER O-RING	BUNA-N
9.	RENEWABLE SEAT	BUNA-N
10.	SEAT O-RING	BUNA-N
11.	COVER BOLTS	A307 ZINC PLATED STEEL (OPTIONAL 316S)
12.	FLOAT BALL	316 STAINLESS STEEL
13.	FLOAT SCREW	NYLON
14.	PIPE PLUG, 1/2"	STEEL
15.	PIPE PLUG, 1"	MALLEABLE IRON
16.	PIPE PLUG, 2"	MALLEABLE IRON
17.	FLOAT HOOD	316 STAINLESS STEEL
18.	LOCK WASHER	410 STAINLESS STEEL

\* LINED AND COATED WITH NSF-61 CERTIFIED EPOXY



INLET	OUTLET	WGT
2" NPT	1" NPT	40 lbs.
2" NPT	2" NPT	
3" NPT	2" NPT	

<b>GA INDUSTRIES</b> <small>a +GF+ Brand</small>		
DATE: 8-8-08	DRAWN BY: WJN	
<b>SHORT BODY SEWAGE AIR &amp; VACUUM VALVE</b>		
<b>FIGURE 939</b>	DRAWING NO. <b>EAV-7047-W</b>	REV <b>B</b>