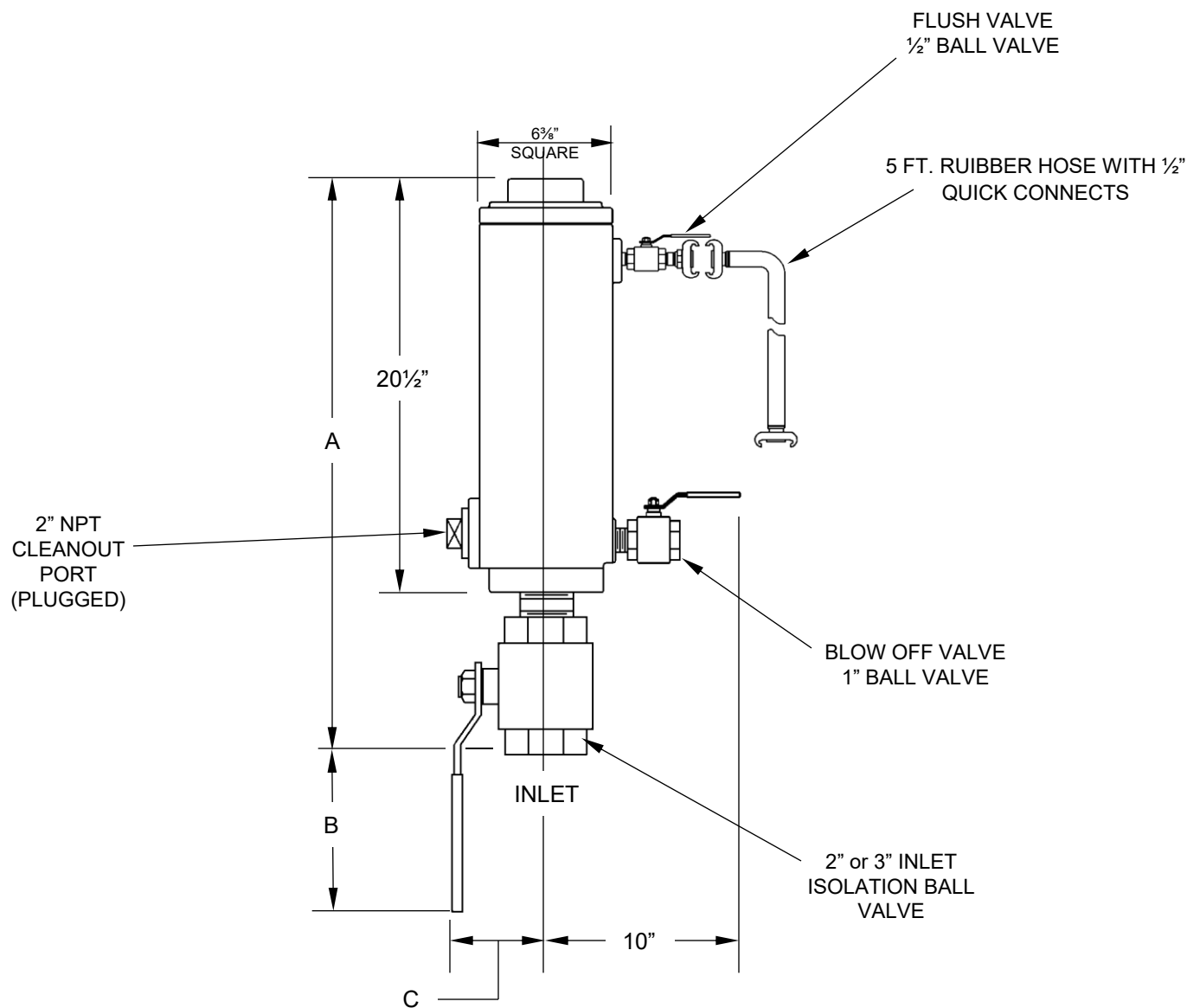


SIZE	INLET	OUTLET	AIR & VACUUM DRAWING	A	B	C	WEIGHT WITH FLUSH ATTACHMENTS
2" X 1"	2" NPT	1" NPT	EAV-7105	26"	30"	4-1/2"	75 lbs.
2" X 2"	2" NPT	2" NPT		28-1/2"	34"	5-1/2"	90 lbs.
3" x 2"	3" NPT	2" NPT					



Inlet Size	2"	3"
A	26"	27"
B	5 5/8"	4 5/8"
C	3 1/2"	4 1/4"

GA INDUSTRIES a +GF+ Brand		
DATE: 4/1/09	DRAWN BY: WJN	
WASTEWATER SINGLE BODY COMBINATION AIR VALVE WITH FLUSHING ATTCHMENTS		
FIGURES 942F, 942SSF	DRAWING NO. EAV-7104F-W	REV B