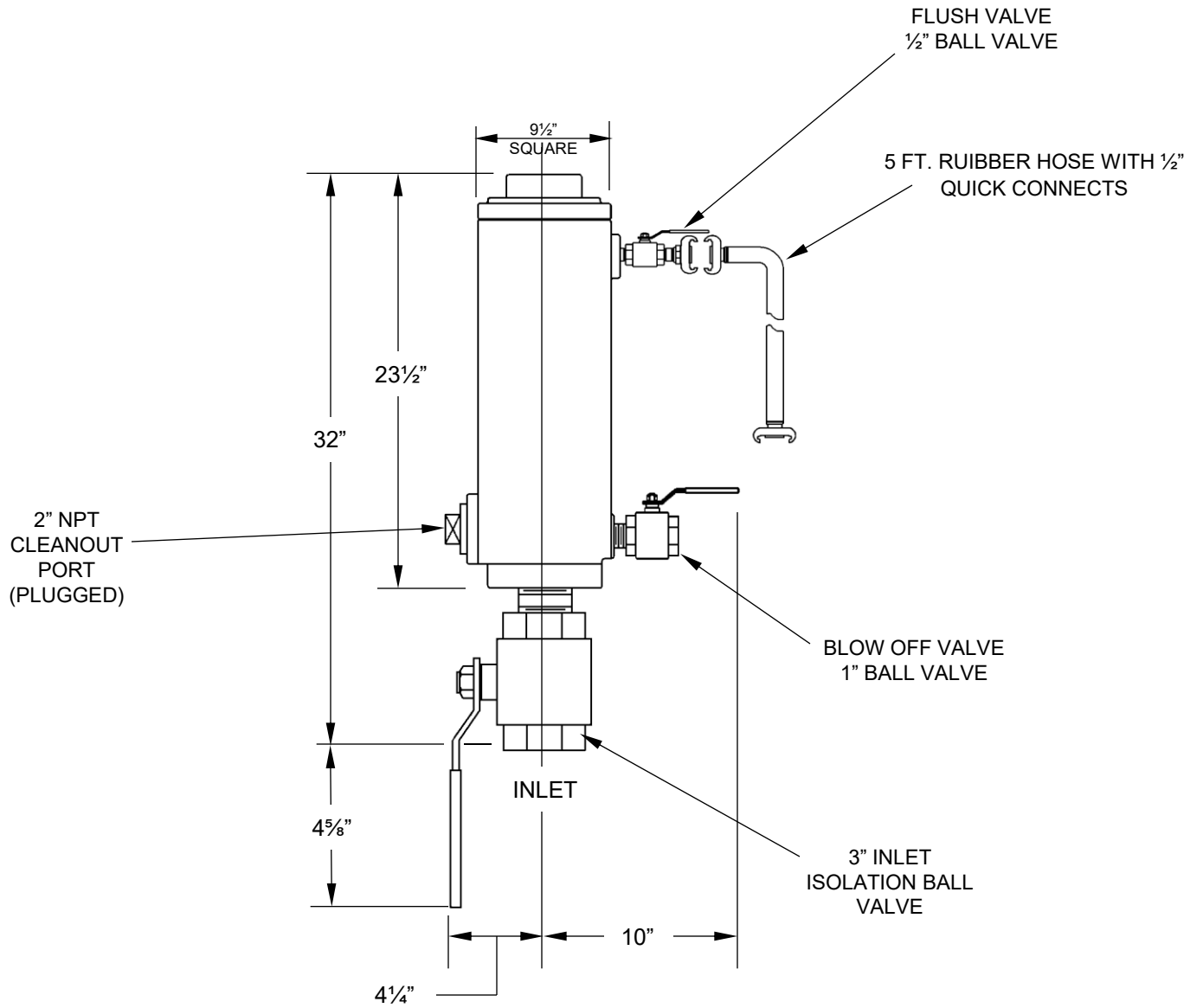


WEIGHT INCLUDING FLUSHING ATTACHMENTS: 225 LBS.



GA INDUSTRIES a +GF+ Brand		
DATE: 4/1/09	DRAWN BY: WJN	
3" WASTEWATER SINGLE BODY COMBINATION AIR VALVE WITH FLUSHING ATTCHMENTS		
FIGURE 942F	DRAWING NO. ECAV-7131FW	REV A