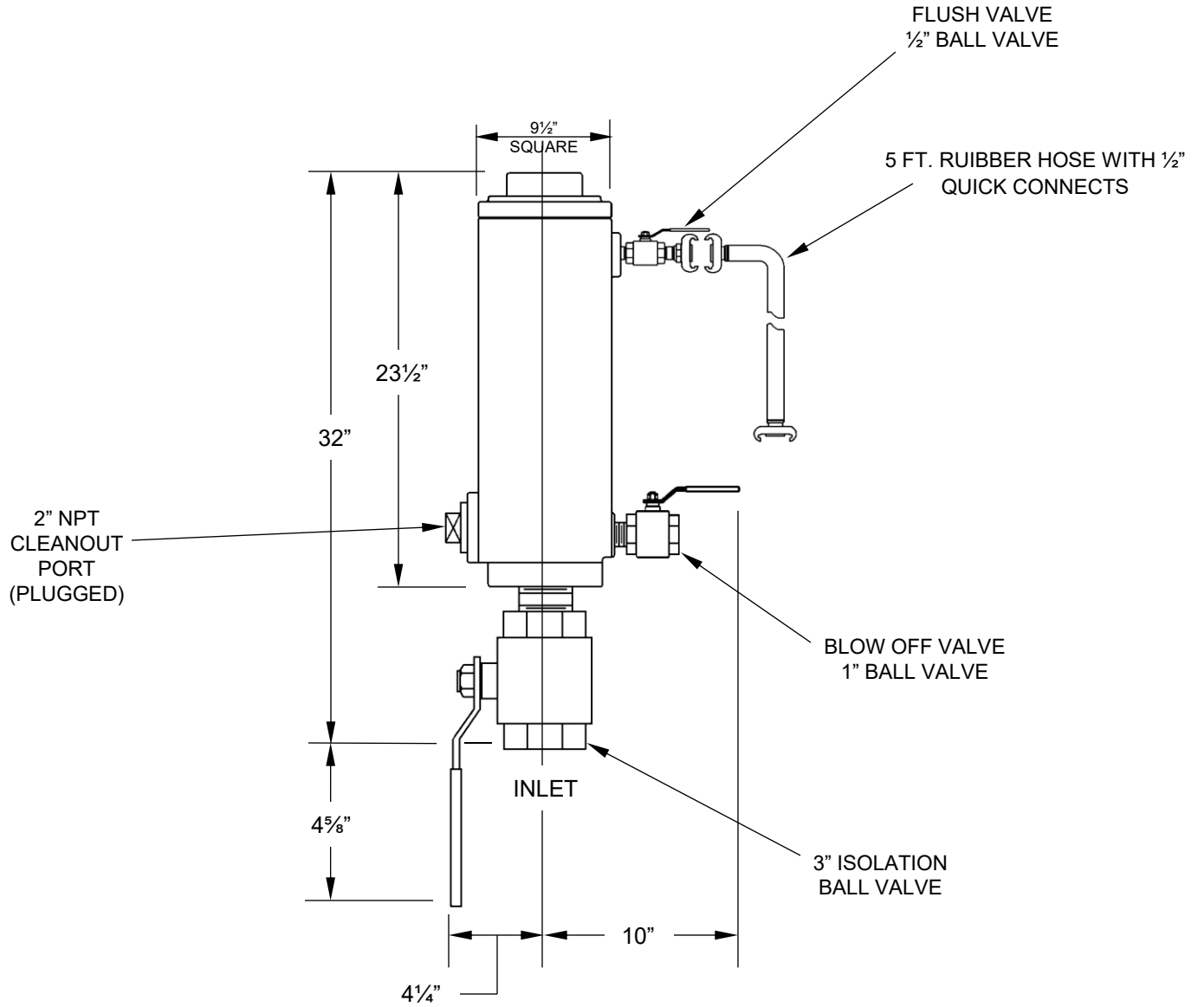


SIZE	INLET	OUTLET	AIR & VACUUM DRAWING	WEIGHT WITH FLUSH ATTACHMENTS
3"	3" NPT	3" NPT	EAV7132-W	225 lbs.



GA INDUSTRIES <small>a +GF+ Brand</small>		
DATE:	4/1/09	DRAWN BY:
		WJN
3" NPT WASTEWATER AIR & VACUUM VALVE WITH FLUSHING ATTACHMENTS		
FIGURE 935F	DRAWING NO.	REV
	EAV-7132F-W	B