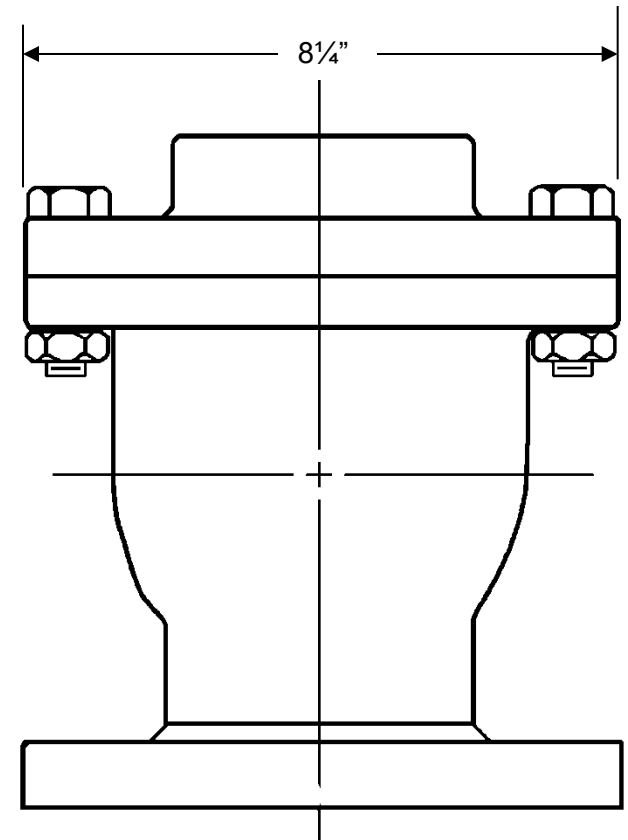
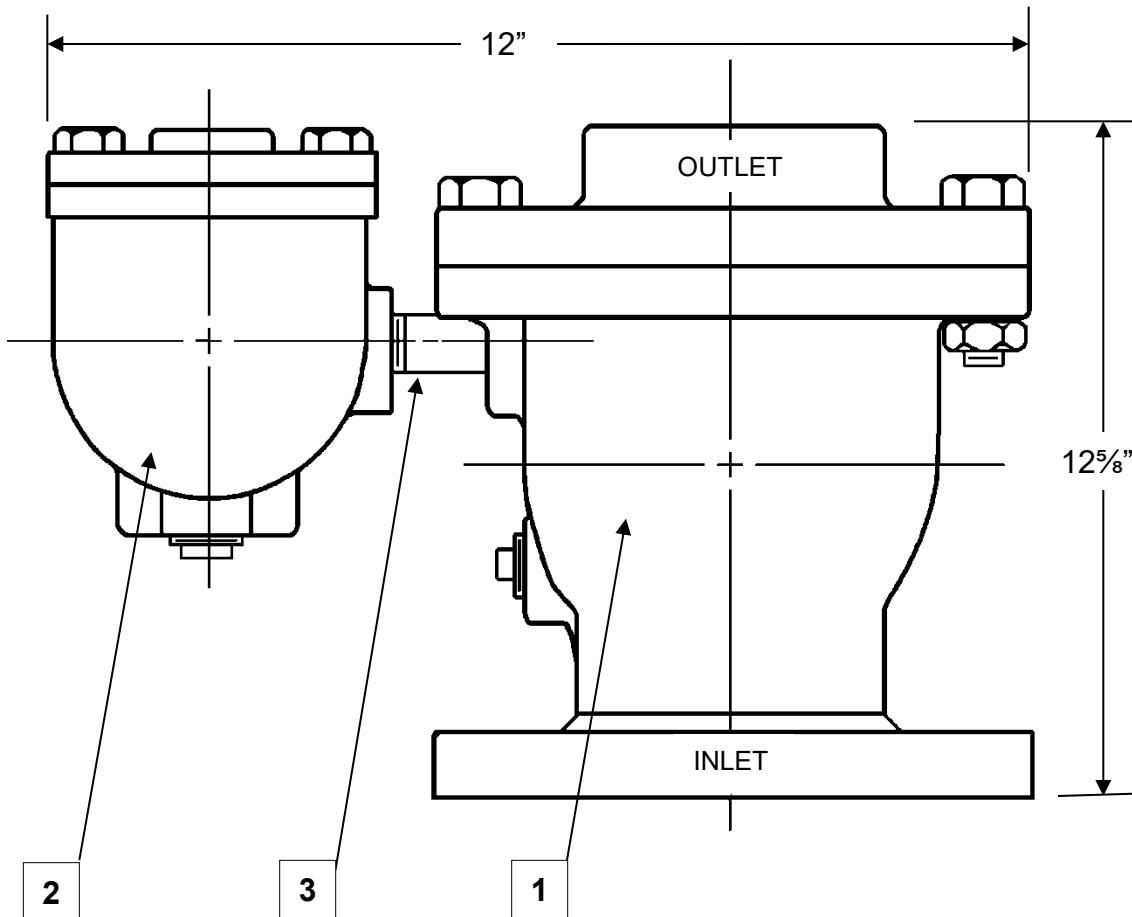


FIGURE NUMBER	INLET	OUTLET	MAXIMUM WORKING PRESSURE	PRESSURE RATING	HYDRO TEST PRESSURE	WEIGHT
950-DT	4" ANSI CLASS 125	4" NPT	150 PSI	200 PSI	300 PSI	90 lbs.
950-UT	4" ANSI CLASS 250	4" NPT	200 PSI	200 PSI	300 PSI	100 lbs.

PARTS LIST		
Part	Name	Material
1	Figure 930 Air & Vacuum Valve	Drawing EAV-7053W
2	Figure 905 Air Release Valve	Drawing EAR-7010W
3	Pipe Nipple	Brass



GA INDUSTRIES <small>a +GF+ Brand</small>		
DATE:	1-14-09	DRAWN BY: WJN
4" DUAL BODY COMBINATION AIR VALVE		
FIGURES 950DT, 950UT		DRAWING NO. ECAV-7049-W REV B

FIGURE 950 COMBINATION AIR VALVES ARE MANUFACTURED AND TESTED IN ACCORDANCE WITH AWWA C512