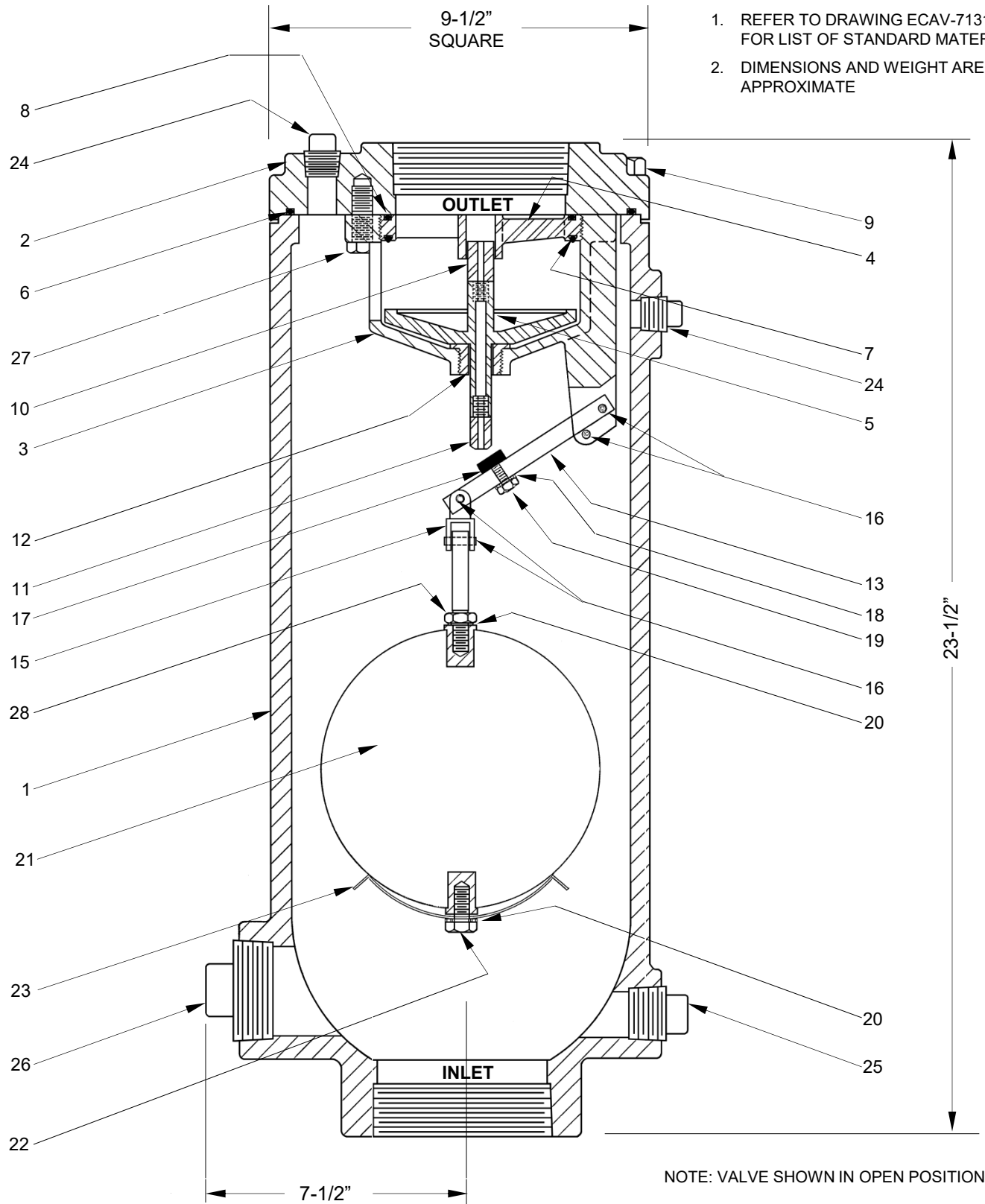


NOTES:

1. REFER TO DRAWING ECAV-7131.01 FOR LIST OF STANDARD MATERIALS
2. DIMENSIONS AND WEIGHT ARE APPROXIMATE



NOTE: VALVE SHOWN IN OPEN POSITION

GA INDUSTRIES <i>a +GF+ Brand</i>						
FIGURE NUMBER	INLET	OUTLET	AIR RELEASE ORIFICE DIAMETER	WORKING PRESSURE	PRESSURE RATING	WGT
942	3" NPT	3" NPT	3/16"	10-150 PSI	200 PSI	170 lbs
	4" NPT	4" NPT				
3" & 4" NPT SINGLE BODY SEWAGE COMBINATION AIR VALVE						
FIGURE 942						DRAWING NO. ECAV-7131W
						REV A

DATE:	3/15/09	DRAWN BY:	WJN
-------	---------	-----------	-----

LIST of STANDARD MATERIALS
3" & 4" Figure 942
Drawings ECAV7131-W, ECAV7131A-W

ITEM	NAME	MATERIAL
1	Body	Cast Iron, ASTM A126 Class B*
2	Cover	Cast Iron, ASTM A126 Class B*
3	Cage	316 Stainless Steel
4	Seat	316 Stainless Steel
5	Plug	316 Stainless Steel
6	Cover O-Ring	Buna-N
7	Renewable Seat	Buna-N
8	Cage O-Ring	Buna-N
9	Cover Bolt	Steel, ASTM A307 (Optional 316SS)
10	Upper Plug Extension	316 Stainless Steel
11	Lower Plug Extension	316 Stainless Steel
12	Bushing	316 Stainless Steel
13	Lever Arm	316 Stainless Steel
14	Float Rod	316 Stainless Steel
15	Universal Coupling	316 Stainless Steel
16	Spirol Pin	316 Stainless Steel
17	Orifice Button	Buna-N & Stainless Steel
18	Lock Washer	410 Stainless Steel
19	Hex Nut	18-8 Stainless Steel
20	Lock Washer	410 Stainless Steel
21	Float Ball	316 Stainless Steel
22	Float Screw	18-8 Stainless Steel
23	Float Hood	316 Stainless Steel
24	½" Pipe Plug	Steel
25	1" Pipe Plug	Malleable Iron
26	2" Pipe Plug	Cast Iron
27	Cage Bolt	18-8 Stainless Steel
28	Hex Nut	18-8 Stainless Steel

* Lined and coated with NSF-61 certified epoxy

GA INDUSTRIES, LLC, A Zurn Company		
DATE:	3/14/09	DRAWN BY: WJN
3" & 4" SEWAGE COMBINATION AIR VALVE LIST OF STANDARD MATERIALS		
FIGURE 942		DRAWING NO. ECAV7131.01 REV A