

SIZE	INLET	AIR & VACUUM OUTLET	AIR RELEASE OUTLET	AIR RELEASE DRAWING	AIR & VACUUM DRAWING	WEIGHT
3"	3" NPT	3" NPT	½" NPT	EAR7008	EAV7132	240 lbs.
4"	4" NPT	4" NPT				

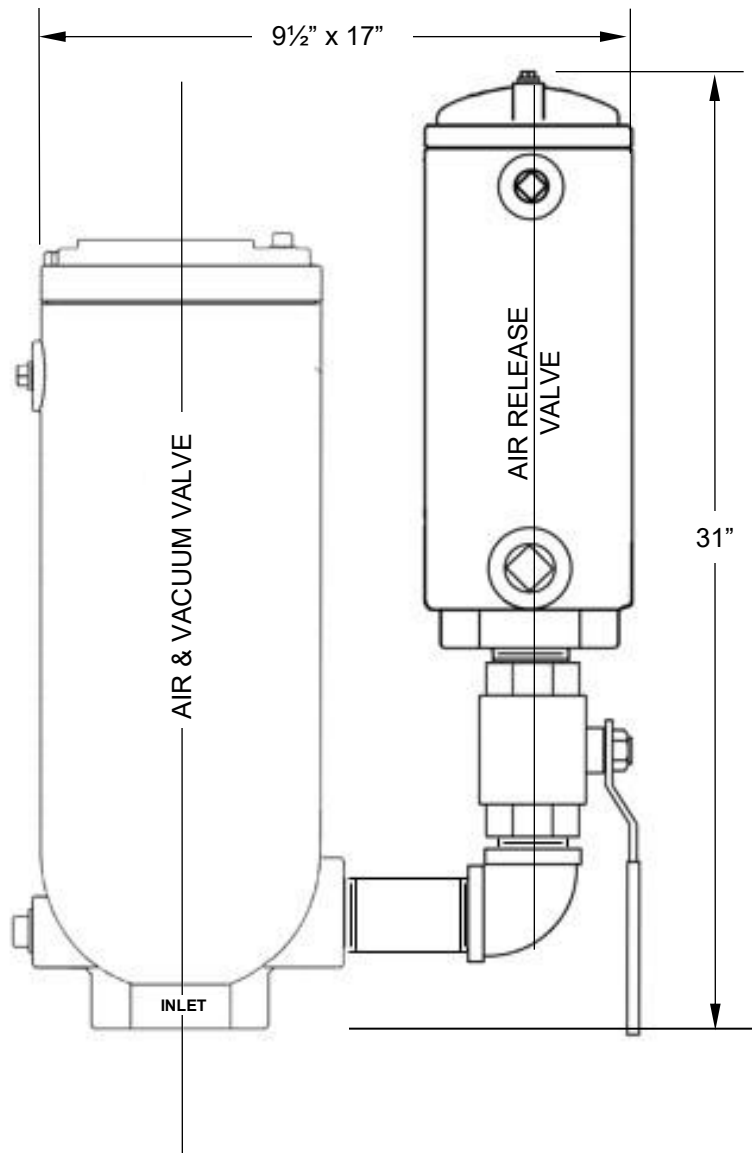


FIGURE NUMBER	AIR RELEASE ORIFICE	MAX. WORKING PRESSURE	RATED PRESSURE	HYDRO TEST PRESSURE
955L	0.313" DIA.	75 PSI	200 PSI	300 PSI
955	0.188" DIA.	150 PSI		

GA INDUSTRIES a +GF+ Brand		
DATE:	2/14/09	DRAWN BY: WJN
3" & 4" NPT DUAL BODY WASTEWATER COMBINATION AIR VALVE		
FIGURES 955, 955L	DRAWING NO. ECAV-7337W	REV A