

SIZE	INLET	AIR & VACUUM OUTLET	AIR RELEASE OUTLET	AIR RELEASE DRAWING	AIR & VACUUM DRAWING	A	B	C	WEIGHT
4"	4" ANSI CLASS 125	4" NPT	1" NPT	EAR7021	EAV7119	17"	33"	9-1/2"	265 lbs.
6"	6" ANSI CLASS 125	6" NPT	1" NPT	EAR7021	EAV7119	22"	35"	13-1/2"	390 lbs.

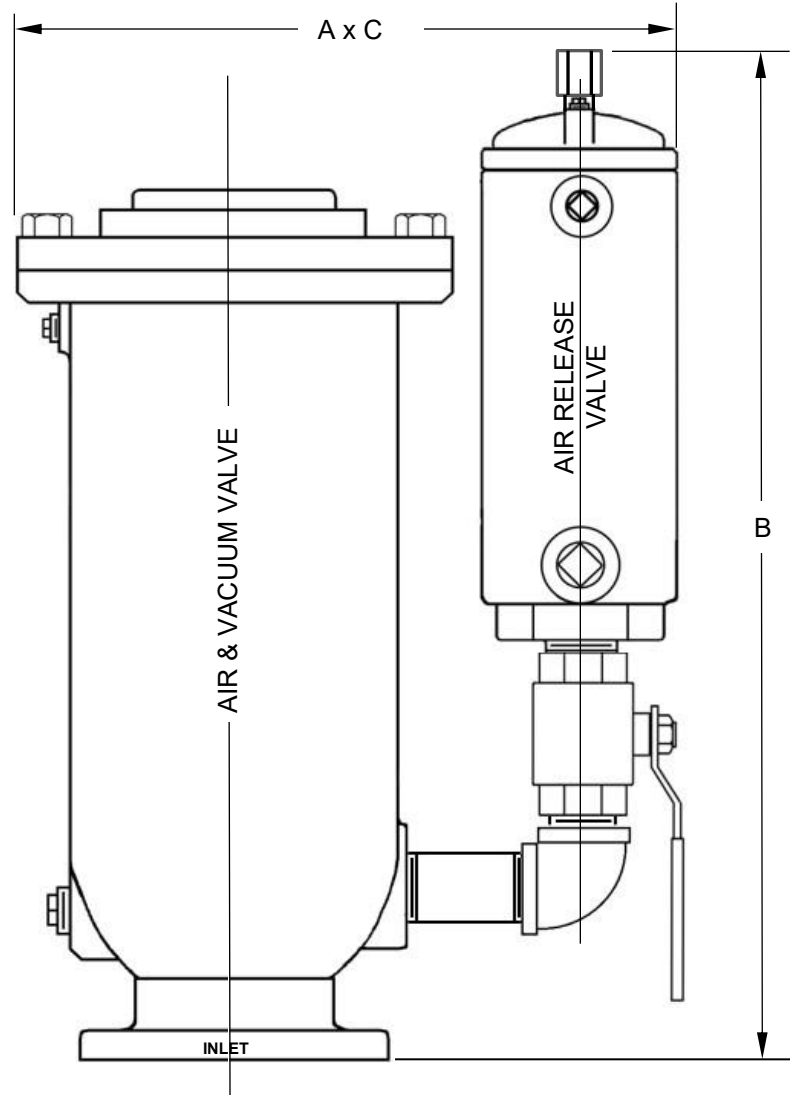


FIGURE NUMBER	AIR RELEASE ORIFICE	MAX. WORKING PRESSURE	RATED PRESSURE	HYDRO TEST PRESSURE
957L-D	0.500" DIA.	75 PSI	200 PSI	300 PSI
957-D	0.438" DIA.	150 PSI		

GA INDUSTRIES a +GF+ Brand		
DATE:	2/14/09	DRAWN BY: WJN
4" & 6" WASTEWATER COMBINATION AIR VALVE WITH HIGH-CAPACITY AIR RELEASE		
FIGURES 957-D, 957L-D		DRAWING NO. ECAV-7339W
		REV