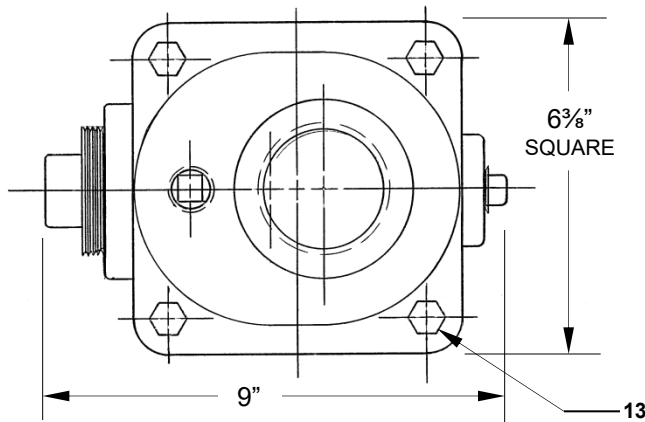


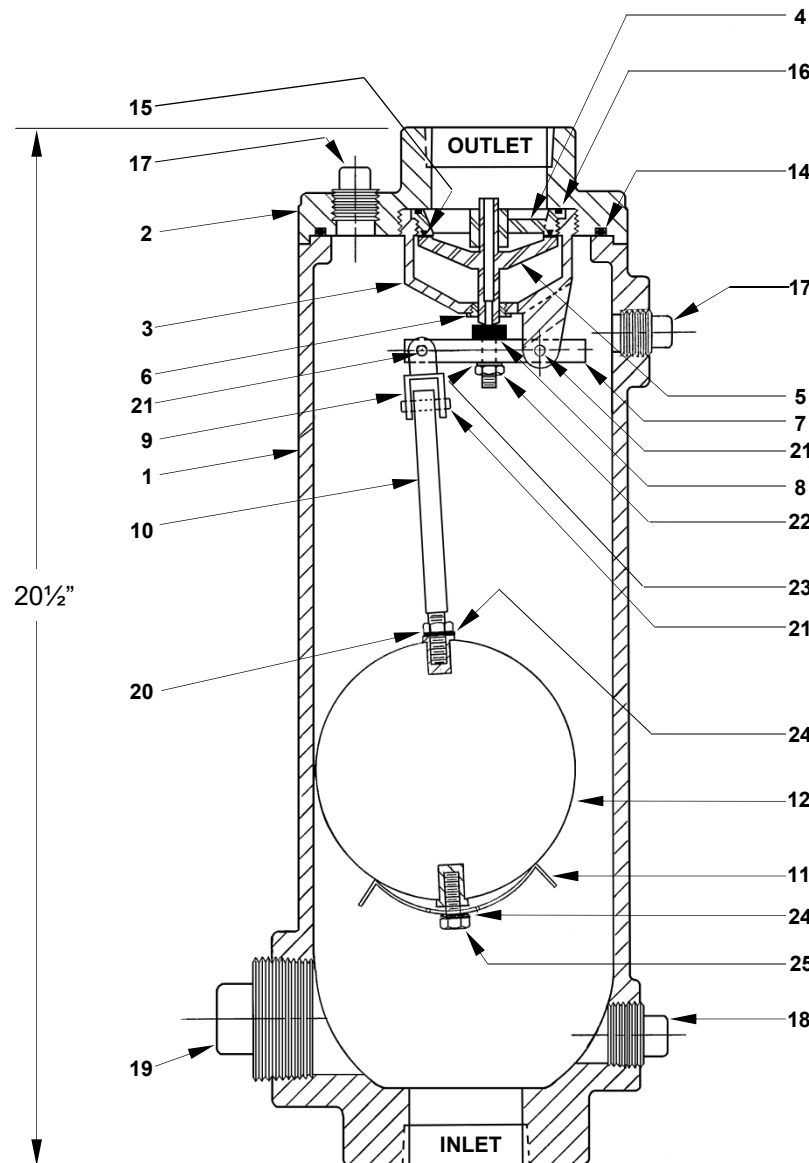
LIST OF STANDARD MATERIALS

1. FIGURE 942 - ECAV-7104.01
2. FIGURE 942SS DUROVENT™ - ECAV-7104S.01



SIZE	INLET	OUTLET	ORIFICE DIAMETER	WORKING PRESSURE
2" X 1"	2" NPT	1" NPT	1/8"	10-150 PSI
2" X 2"	2" NPT	2" NPT		
3" X 2"	3" NPT	2" NPT		

WEIGHT – 60 LBS



**PARTS LIST**

ITEM	DESCRIPTION	MATERIAL
1.	BODY	316 STAINLESS STEEL
2.	COVER	316 STAINLESS STEEL
3.	CAGE	316 STAINLESS STEEL
4.	SEAT	316 STAINLESS STEEL
5.	PLUG	316 STAINLESS STEEL
6.	BUSHING	316 STAINLESS STEEL
7.	LEVER ARM	316 STAINLESS STEEL
8.	ORIFICE BUTTON	BUNA-N/ STAINLESS STEEL
9.	UNIVERSAL COUPLING	316 STAINLESS STEEL
10.	FLOAT ROD	316 STAINLESS STEEL
11.	FLOAT HOOD	316 STAINLESS STEEL
12.	FLOAT BALL	316 STAINLESS STEEL
13.	COVER BOLT (4)	316 STAINLESS STEEL
14.	COVER O-RING	BUNA-N RUBBER
15.	RENEWABLE SEAT	BUNA-N RUBBER
16.	CAGE O-RING	BUNA-N RUBBER
17.	PIPE PLUG, 1/2"	316 STAINLESS STEEL
18.	PIPE PLUG, 1"	316 STAINLESS STEEL
19.	PIPE PLUG, 2"	316 STAINLESS STEEL
20.	HEX NUT	304 STAINLESS STEEL
21.	SPRING PIN	316 STAINLESS STEEL
22.	HEX NUT	304 STAINLESS STEEL
23.	LOCK WASHER	410 STAINLESS STEEL
24.	LOCK WASHER	410 STAINLESS STEEL
25.	FLOAT SCREW	304 STAINLESS STEEL

**GA INDUSTRIES** a +GF+ Brand

DATE:	3-7-09	DRAWN BY:	WJN
-------	--------	-----------	-----

**DUROVENT™ ALL STAINLESS STEEL SINGLE BODY SEWAGE COMBINATION AIR VALVE**

**FIGURE 942**

DRAWING NO.	<b>ECAV-7104SW</b>	REV	<b>B</b>
-------------	--------------------	-----	----------

NOTE: VALVE SHOWN IN CLOSED POSITION