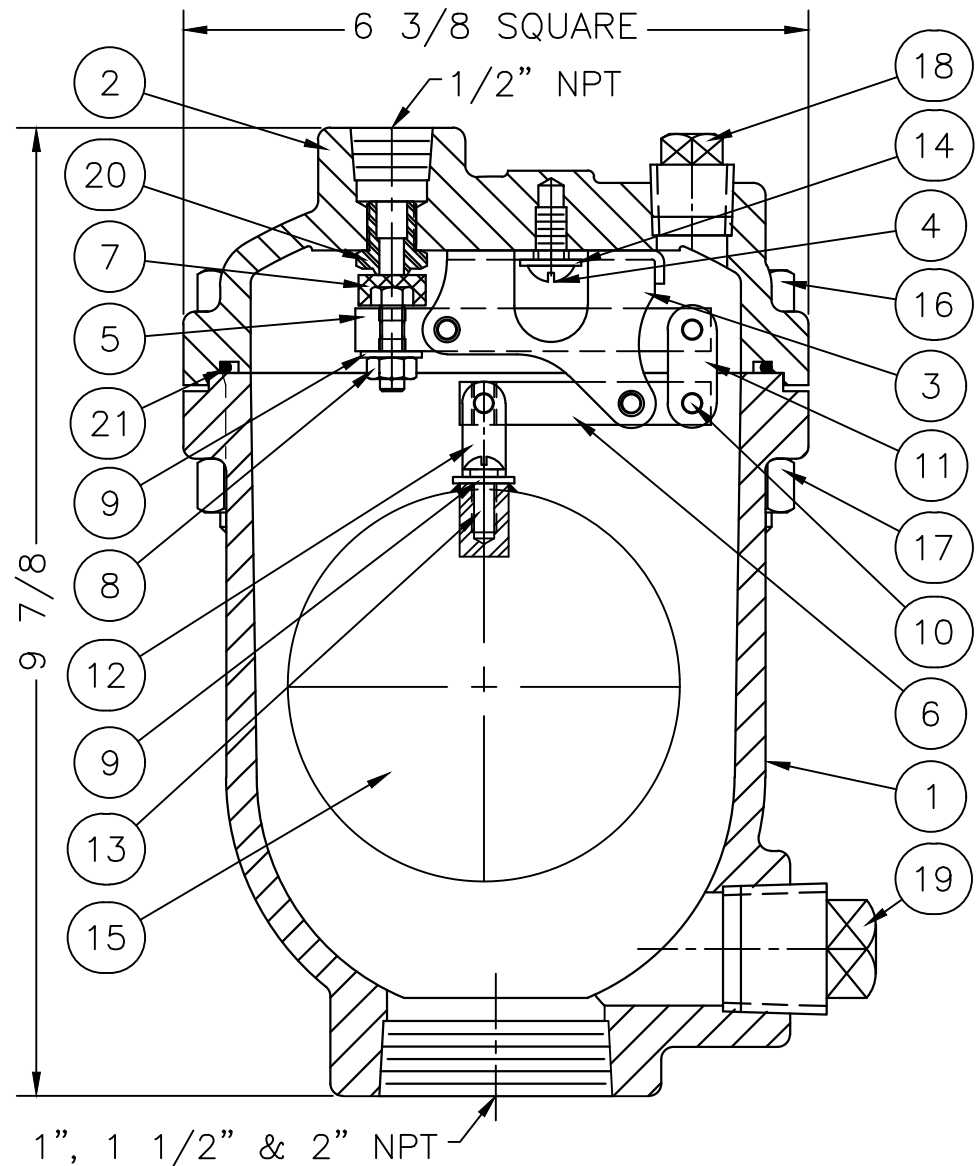


PARTS LIST		
NO.	DESCRIPTION	MATERIAL
1	BODY	CAST IRON A126 CLASS B
2	COVER	CAST IRON A126 CLASS B
3	LEVERAGE BRACKET	316 STAINLESS STEEL
4	BRACKET SCREW	316 STAINLESS STEEL
5	LEVER ARM	316 STAINLESS STEEL
6	FLOAT ARM	316 STAINLESS STEEL
7	ORIFICE BUTTON	18-8 SST & BUNA-N
8	HEX NUT	18-8 STAINLESS STEEL
9	LOCKWASHER	18-8 STAINLESS STEEL
10	SPIROL PIN	302 STAINLESS STEEL
11	LINK	316 STAINLESS STEEL
12	PIVOT LINK	316 STAINLESS STEEL
13	FLOAT CAP SCREW	18-8 STAINLESS STEEL
14	BRACKET LOCKWASHER	18-8 STAINLESS STEEL
15	FLOAT BALL	316 STAINLESS STEEL
16	COVER BOLT	STEEL GRADE 2
17	COVER NUTS	STEEL GRADE 2
18	PIPE PLUG 1/2" NPT	COMMERCIAL STEEL
19	PIPE PLUG 1" NPT	MALLEABLE IRON
20	ORIFICE	316 STAINLESS STEEL
21	O-RING	BUNA-N #253



J:\EMPIRE\EMPIRE-S\EAR-7003-C.DWG

FIGURE 920, 3/16 ORIFICE STANDARD, 0-150 PSI
 FIGURE 920-H, 1/8 ORIFICE OPTIONAL, 151-300 PSI

GA INDUSTRIES, LLC AIR RELEASE VALVE FIGURE 920	DIMENSIONS IN INCHES		SERIAL NO. *		DRAWN BY RRS		
	STANDARD TOLERANCES (UNLESS OTHERWISE NOTED) .X = ±.1 .XX = ±.02 .XXX = ±.005 FRACTIONS = ±1/64 ANGLES = ±1° DRAFTS: 3° MAX		CASTING STOCK MINIMUM (SMALLEST DIM. TO SURFACE) 0 TO <1 = 1/8 1 TO <6 = 3/16 6 TO <12 = 1/4 12 AND > = 3/8		FIG. NO. 920 DATE 10-27-1990 PROPERTY OF GA INDUSTRIES, LLC		
				APPR. BY		SCALE NTS	
				REFERENCES		DRAWING NO. EAR-7003	
				* FILE *		REV. C	

REV C: UPDATED MAT'L 3,4,5,6,11,12,15,20 TO 316 SST; JCS 9-14-22

PER ANSI Y14.5M GD&T <3/32 FLATNESS, ROUNDNESS, POSITION