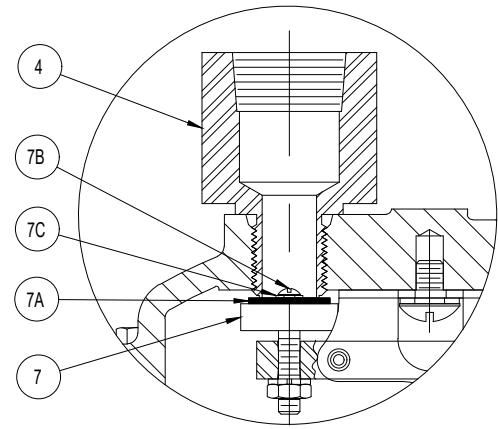


### PARTS LIST

PART No.	DESCRIPTION	MATERIAL
1	BODY	CAST IRON A126 CLASS B
2	COVER	CAST IRON A126 CLASS B
3	LEVERAGE BRACKET	316 STAINLESS STEEL
4	ORIFICE	316 STAINLESS STEEL
5	BRACKET SCREWS	18-8 STAINLESS STEEL
6	BRACKET LOCKWASHER	18-8 STAINLESS STEEL
7	ORIFICE BUTTON	BUNA-N/18-8 STAINLESS STEEL
*7A	ORIFICE BUTTON SEAT	BUNA-N
*7B	ORIFICE BUTTON SCREW	18-8 STAINLESS STEEL
*7C	ORIFICE BUTTON WASHER	18-8 STAINLESS STEEL
8	HEX NUT	18-8 STAINLESS STEEL
9	LOCKWASHERS	18-8 STAINLESS STEEL
10	O-RING	BUNA-N
11	LEVER ARM	316 STAINLESS STEEL
12	FLOAT ARM	316 STAINLESS STEEL
13	SPIROL PINS	302 STAINLESS STEEL
14	AIR-RELEASE VALVE LINKS	316 STAINLESS STEEL
15	PIVOT LINK	316 STAINLESS STEEL
16	COVER BOLTS	STEEL GRADE 2
17	PIPE PLUG 1/2 NPT	STEEL (COMM.)
18	PIPE PLUG 1" NPT	MALLEABLE IRON
19	PIPE PLUG 2 NPT	CAST IRON
20	FLOAT CAP SCREW	18-8 STAINLESS STEEL
21	FLOAT BALL	316 STAINLESS STEEL

\*NOTE: FOR 5/8 ORIFICE SIZE ONLY.

(A)



ORIFICE & ORIFICE BUTTON ASSEMBLY  
FOR 5/8 ORIFICE SIZE ONLY

VALVE SIZE		DIMENSION			ORIFICE SIZE	PRESSURE RATING
INLET	OUTLET	A	B	C		
2 NPT	1" NPT	6.38	13.75	4.50	5/8 OPT.	50 PSI
	1/2 NPT	6.38	12.00	4.50	3/8 STD. 7/32 OPT.	150 PSI 300 PSI
3 NPT	1" NPT	6.38	13.75	4.50	5/8 OPT.	50 PSI
	1/2 NPT	6.38	12.00	4.50	3/8 STD. 7/32 OPT.	150 PSI 300 PSI

BREAK SHARP EDGES

REV.A REDRAWN IN AUTOCAD;  
MALLEABLE IRON WAS CAST IRON,  
DAK, 09-09-2015

DIMENSIONS IN INCHES	
STANDARD TOLERANCES (UNLESS OTHERWISE NOTED)	CASTING STOCK MINIMUM (FOR MACHINED SURFACES)
X = ±.1	0 TO <1 = 1/8
.XX = ±.01	1 TO <6 = 3/16
.XXX = ±.005	6 TO <12 = 1/4
FRACTIONS = ±1/64	12 AND > = 3/8
ANGLES = ±1°	
DRAFTS: 3° MAX	
PER ANSI Y14.5M GD&T <3/32 FLATNESS, ROUNDNESS, POSITION	

**GA INDUSTRIES, LLC**  
HIGH CAPACITY AIR-RELEASE VALVE  
WITH SST 316 INTERNALS  
FIGURE #922

SERIAL NO.		DRAWN BY MJB	
FIG. NUMBER 922		APPR. BY	
DATE 10-29-1990		SCALE N.T.S.	
PROPERTY OF GA INDUSTRIES, LLC			
REFERENCES	FILE	DRAWING NO.	REV.
EAR-7005-1		EAR-7005	A

O:\AUTOCAD\EMPIRE\SIEAR-7005-A.dwg