

INSTALLATION, OPERATION AND MAINTENANCE MANUAL

FIGURE 925

AIR RELEASE VALVES FOR SEWAGE & WASTEWATER

TABLE OF CONTENTS

Introduction	2
Description of Operation	2
Receiving & Storage	2
Installation	2
Valve Construction	3
Start-Up	3
Preventive Maintenance	3
Trouble Shooting	3
Disassembly	3
Assembly	4
Backflushing Instructions	4
Order Replacement Parts	4
Figure 925 Drawing/Parts List	5
Warranty	6



234 Clay Avenue • Mars, PA 16046 USA
Telephone (724) 776-1020 • Fax (724) 776-1254
E-mail: info-ga@vag-group.com



WARNING: Cancer and Reproductive Harm – www.Prop65Warnings.ca.gov

INSTALLATION, OPERATION and MAINTENANCE

Figure 925 Sewage Air Release Valves

INTRODUCTION

This manual will provide the information to properly install, operate and maintain the valve to ensure a long service life. The Air Release Valve is ruggedly constructed to provide years of trouble-free operation with minimal maintenance.

CAUTION

The valve is NOT recommended for use with toxic fluids, fuels or fluids containing hazardous gases

CAUTION

The valve will not function if used at a pressure higher than the maximum working pressure indicated on the nameplate.

The Shop Order (SO) Number, Figure Number, size and pressure rating are stamped on a nameplate attached to the valve. Please refer to the SO number when ordering parts.

DESCRIPTION OF OPERATION

The Figure 925 Air Release Valve is designed to automatically vent air and sewage gas that has accumulated within the valve. These valves are usually installed at high points in the system where air tends to collect. The valve as shipped is "normally open" and will vent air through its orifice at the top of the valve. The float rises when water enters the valve and closes the orifice. Air from the system accumulates in the valve forcing the water level down until the float drops and opens the venting orifice. As air is released the water level rises lifting the float and re-closing the valve.

This sequence occurs as often as necessary to release air that has collected in the valve.

RECEIVING AND STORAGE

Inspect the valve upon receipt for damage during shipment. Carefully unload all valves to the ground without dropping.

The valves should remain in a clean, dry and weather protected area until installed. For long term storage (greater than 6 months) the rubber surfaces of the seat should be coated with a non-toxic lubricant such as "SuperLube" made by Synco Chemical. Do not expose the rubber parts to sunlight or ozone.

INSTALLATION

The Figure 925 is standard with 2" or 3" NPT screwed connections. A flanged pipeline connection is provided on special order.

Consult the drawings of record to verify the configuration supplied and installed.

The valve must be installed in an upright vertical orientation, normally at a high point in the system.

If installed outdoors, below ground in a vault or in an unheated area, adequate freeze protection must be provided.

An isolating valve should be installed between the valve and the pipeline or system to facilitate maintenance (included with backflushing attachments).

Carefully screw threaded end valves onto pipe nipple using compatible thread sealant. Tighten valve using wrench flats. DO NOT OVERTIGHTEN.

Flat-faced flanged valves should be mated with flat-faced flanges and full-face gaskets. If ring gaskets are used the bolt material shall be ASTM A307 Grade B (or equivalent). Higher strength bolting should only be used with full-face gaskets.

Lower heavy valves over the mating flange using slings or chains around the valve body. Lubricate the bolts or studs and insert around flange. Lightly tighten bolts until gaps are eliminated. Torque bolts in an alternating

pattern in graduated steps. If leakage occurs wait 24 hours and re-torque the bolts but do not compress the gasket more than 50% or exceed bolt maximum torque rating.

VALVE CONSTRUCTION

The standard Figure 925 Sewage Air Release Valve has a cast iron body, stainless steel float and linkage mechanism and a rubber seat. Optional materials such as ductile iron body can be provided for higher working pressures. Refer to the List of Materials submitted for the order if non-standard materials were provided.

Refer to Page 5 for details of construction and parts location.

The valve has an inlet connection at the bottom where the valve attaches to the system and a smaller outlet connection at the top through which air leaves the valve.

WARNING

Removing the valve from the line or disassembling the valve while there is pressure in the valve body may result in injury or damage to the valve

PREVENTIVE MAINTENANCE

Figure 925 Sewage Air Release Valves require no scheduled lubrication or adjustment.

A periodic visual inspection should be performed to ensure the outlet piping is not obstructed and to verify there is no fluid leakage.

Depending on the nature of the fluid, sewage air valves may become clogged with sediment or grease and require periodic cleaning. To facilitate such cleaning VAG/GA Industries air valves with an "F" at the end of the Figure Number (e.g., 925F) were supplied with "backflushing attachments." Refer to the backflushing instructions on Page 4 of this manual for additional information.

TESTING

Valve operation can be easily tested. Close the inlet isolation valve and remove or loosen the pipe plug nearest the inlet to drain the water from the valve. The float should drop as the water leaves the valve. NOTE: A manual valve can be installed in place of the pipe plug to facilitate testing (valves are included with backflushing attachments).

Replace or tighten the pipe plug and slowly open the inlet isolating valve. After expelling air, the valve should close and seal tightly.

TROUBLESHOOTING

- Valve Does Not Close / Fluid Leakage
Verify debris has not collected on the seat preventing tight closure

Verify rubber orifice button and/or orifice seating surfaces are not damaged

Verify float has buoyancy

Verify linkage mechanism operates freely without binding or sticking

- Valve Does Not Open
Verify debris in the valve is not preventing the float from freely falling when fluid is drained from valve

Verify linkage mechanism operates freely without binding or sticking

DISASSEMBLY

While small valves may be more easily serviced by removing it from the line, all valves can be serviced while the body remains connected to the pipeline. A skilled technician with proper tools should perform all work. No special tools are required.

Disassemble the valve only as far as needed to replace damaged or worn parts.

First ensure there is no pressure within the valve. Remove the cover bolts (16) and lift off cover (2) with float and linkage attached. It may be necessary to pry the cover off. Be careful not to damage or lose the o-ring (10).

Remove the two spring pins (13) connecting the lever arm (11) and float arm (12) to the bracket (3). The float and linkage will be free from the cover.

Remove the spring pins (13) connecting the valve links (14) to the float arm (12). Remove the spring pin (13) from the pivot link (15) and the hex nut (8) and lock washer (9) and unscrew the float rod (21) from the float ball (20).

Remove the hex nut (8) and lockwasher (9) and unscrew the orifice button (7) from the lever arm (11).

Remove the bracket screw (5) to remove the leverage bracket (3). Using a hex socket remove the orifice (4) from the cover.

Inspect all parts for wear and damage. Minor scratches and dents in the float are normal. Some floats may contain sand for added weight but if water is detected replace the float. Carefully clean the orifice of scale. Replace damaged parts.

REASSEMBLY

Clean all parts especially seating and sealing surfaces before reassembling valve. Worn parts should be replaced during re-assembly.

Apply Loctite® PST thread sealant to orifice (4) and thread into cover. Torque to 22 ft-lbs (maximum).

Install bracket (3), tighten bracket screws (5).

Thread orifice button (7) all the way into lever arm (11) and install hex nut (8) and lockwasher (9) but do not tighten. Connect the lever arm (11) and float arm (12) to the bracket (3) using two spring pins (13).

Adjust the orifice button (7) so that the end of the lever arm (11) nearest the orifice button is about 1/16" (1.6mm) farther from the cover than the opposite end when the orifice button (7) is gently resting on the orifice (4). Secure by tightening hex nut (8).

Install valve links (14) and spring pins (13) to connect the float arm (12) to the lever arm (11).

Install lock washer (9) and float rod (21) into float ball (20) and tighten. Install pivot link (15), lock washer (9) and hex nut (8) on opposite end of float rod (19) and tighten. Attach pivot link (15) to float arm (12) using spring pin (13).

Verify free movement of linkage mechanism and that the orifice button (7) presses against the orifice (4) when the float rises and pulls away when allowed to fall.

Lubricate and place o-ring (10) in cover (2) and carefully place cover (2) on body (1) ensuring o-ring is retained. Install the cover bolts (16) and tighten in an alternating pattern. Carefully introduce pressure and check for leaks.

BACKFLUSHING INSTRUCTIONS

Follow all local cross-connection and safety codes and regulations!

To determine if a GA Industries sewage air valve needs cleaning or backflushing:

- Close the inlet isolating valve then slowly open the ½" flushing ball valve (if installed) or slowly remove the pipe plug at the top of air valve to relieve internal pressure.
- Open the 1" blow off ball valve (if installed) or remove the pipe plug near the bottom. Liquid should freely drain from the valve body. If it does not, then the valve is likely in need of cleaning or backflushing.

To clean a GA Industries sewage air release valve equipped with backflushing attachments:

- Close the inlet isolating valve and then slowly open the ½" flushing valve to relieve internal pressure.
- Open the 1" blow off valve
- Connect the ½" flushing valve to a pressurized source of clean water using the rubber hose provided with the backflushing attachments.
- Introduce flushing water until liquid runs freely from the blow off valve.
- Shut off and disconnect the supply of clean water and close the blow off and flushing valves.
- Slowly open the inlet isolating valve. The air release valve should exhaust air and then close tightly

REPLACEMENT PARTS

Genuine replacement parts are available from your local VAG/GA Industries representative or from the factory:

VAG USA, LLC
234 Clay Avenue
Mars, PA 16046 USA
Telephone: 724-776-1020
Fax: 724-776-1254
E-mail: quotes-ga@vag-group.com

Please have the nameplate data available when ordering parts.

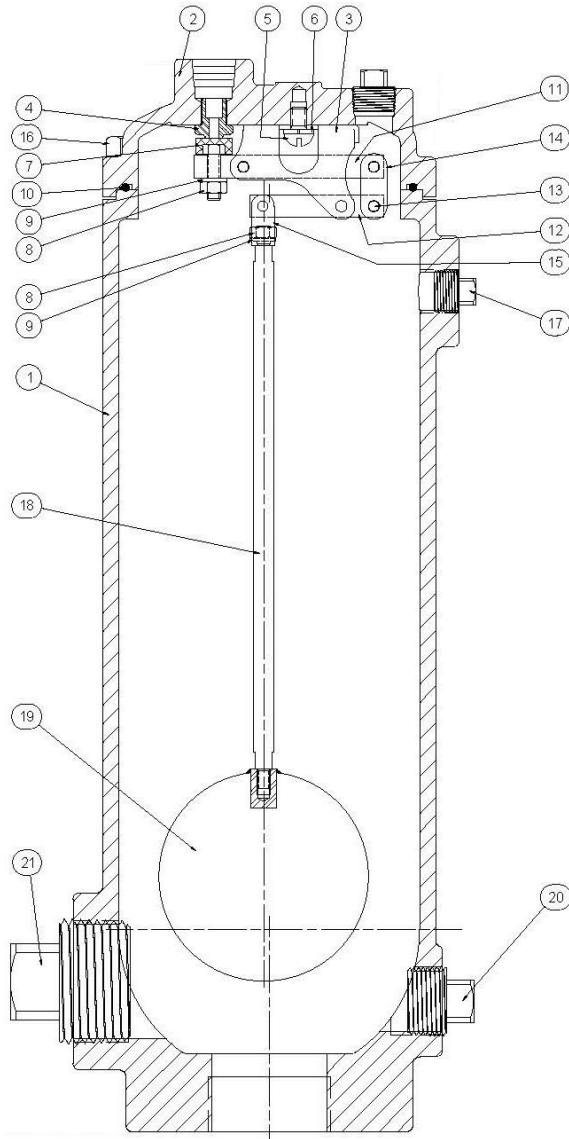


FIGURE 925 PARTS LIST

1. Body
2. Cover
3. Leverage Bracket
4. Orifice
5. Bracket Screw
6. Lock Washer
7. Orifice Button
8. Hex Nut
9. Lock Washer
10. O-Ring
11. Lever Arm
12. Float Arm
13. Spring Pin
14. Valve Link
15. Pivot Link
16. Cover Bolt
17. 1/2" Pipe Plug
18. 1" Pipe Plug
19. 2" Pipe Plug
20. Float Ball
21. Float Rod

WARRANTY

For a period of one year from the date of shipment, and provided payments for the Products have been made by Buyer to Seller, Seller warrants to Buyer that its Products: (i) substantially conform to Seller's published specifications and (ii) are free from defects in material or workmanship. Specific products may have a warranty period greater than one year. Any Services provided by Seller are warranted to be performed in a good and workmanlike manner. Should a warranted Product or any Services fail to conform to these warranties, Buyer must promptly notify Seller in writing. Seller will, at its discretion and at no charge to the Buyer: (i) repair the Product or Services; (ii) replace the Product or any Services; or (iii) offer a full refund of that portion of the purchase price allocable to the non-conforming Product or Services. Warranty repair or replacement by Seller shall not extend or renew the applicable warranty period. Buyer shall obtain Seller's agreement on the specifications of any tests it plans to conduct to determine whether a non-conformance exists. Buyer shall bear the costs of access for Seller's remedial warranty efforts (including removal and replacement of systems, structures or other parts of Buyer's facility), de-installation, decontamination and re-installation. THE FOREGOING WARRANTIES ARE IN LIEU OF ALL OTHER WARRANTIES, EXPRESS OR IMPLIED, INCLUDING BUT NOT LIMITED TO THE IMPLIED WARRANTIES OF MERCHANTABILITY AND FITNESS FOR A PARTICULAR PURPOSE. This warranty allocates the risks of Product failure between Seller and Buyer. This allocation is recognized by both parties and is reflected in the price of the goods. Buyer acknowledges that it has read VAG USA, LLC's Terms and Conditions of Sale, understands it, and agrees to and is bound by its terms.

WHAT IS NOT COVERED BY WARRANTY

No representative of Seller has authority to waive, alter, vary or add to the terms hereof without prior written approval of an officer of Seller. Seller's warranty does not apply to: (i) dynamic vibrations imposed by the drive system in which such Products are installed unless the nature of such vibrations has been defined and accepted in writing by Company as a condition of operation; (ii) improper or unauthorized repair, installation or maintenance of the Products by a party other than Seller; (iii) use for purposes other than those for which designed, or other abuse, negligence, misuse, or normal wear and tear; (iv) unauthorized attachments, modifications or disassembly; (v) damage during shipping; or (vi) Products purchased from unauthorized distributors, resellers or internet sites. Buyer's care in selection, adequate testing at time of installation and proper installation, operation and maintenance of all Products is required for adequate performance.

LIMITATIONS OF LIABILITY

NOTWITHSTANDING ANY PROVISION OF THIS CONTRACT OR THE LAW, IT IS EXPRESSLY AGREED THAT SELLER'S TOTAL LIABILITY FOR ANY DAMAGES, COSTS OR EXPENSES ARISING OUT OF OR RELATED TO THIS CONTRACT OR ITS PRODUCTS OR SERVICES, WHETHER BASED IN CONTRACT, WARRANTY, INDEMNITY, TORT/EXTRA-CONTRACTUAL LIABILITY (INCLUDING NEGLIGENCE), STRICT LIABILITY OR OTHERWISE IS LIMITED TO THE REPAIR OR REPLACEMENT OF THE PRODUCT OR SERVICES OR, AT SELLER'S OPTION, A RETURN OF AN AMOUNT THAT SHALL NOT EXCEED THE PURCHASE PRICE. UNDER NO CIRCUMSTANCES WILL SELLER, IT'S OFFICERS, DIRECTORS, EMPLOYEES OR ASSIGNS BE LIABLE FOR ANY OTHER REMEDY, LOSS, COST, DAMAGE OR EXPENSE WHETHER DIRECT OR INDIRECT. IN NO EVENT WHATSOEVER SHALL SELLER BE LIABLE FOR ANY CONSEQUENTIAL, LIQUIDATE, EXEMPLARY OR PUNITIVE DAMAGES, INCLUDING BUT NOT LIMITED TO, LOSS OF USE, INCOME, PROFIT, OR PRODUCTION; INCREASED COST OF OPERATION, SPOILAGE OR DAMAGE TO MATERIAL, OR CHANGE OUT COSTS. BUYER SHALL INDEMNIFY, DEFEND AND HOLD SELLER HARMLESS FROM ANY LOSS, COST, EXPENSE, DAMAGE, OR CAUSE OF ACTION TO OR BY A THIRD PARTY THAT EXCEEDS THESE LIMITATIONS OF LIABILITY.