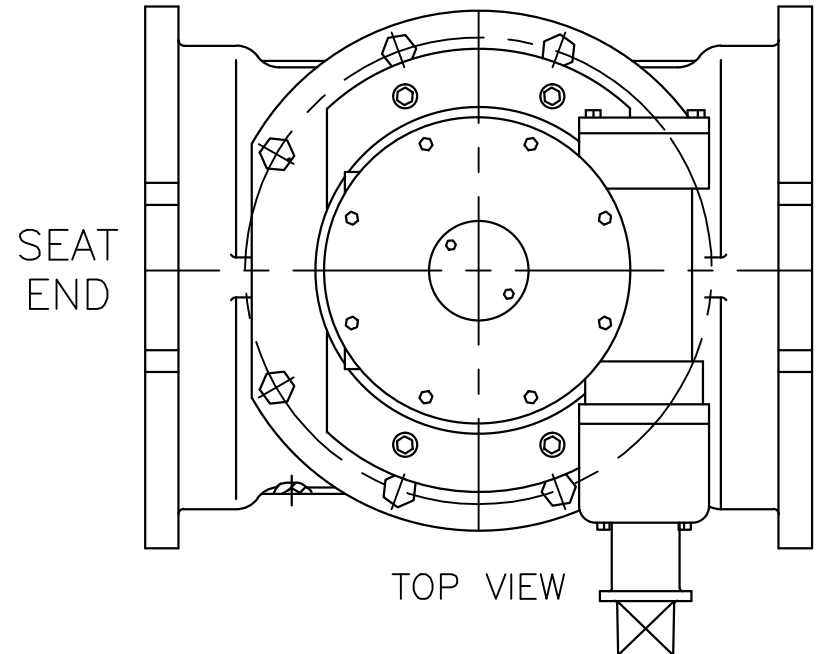


VALVE DIMENSIONS

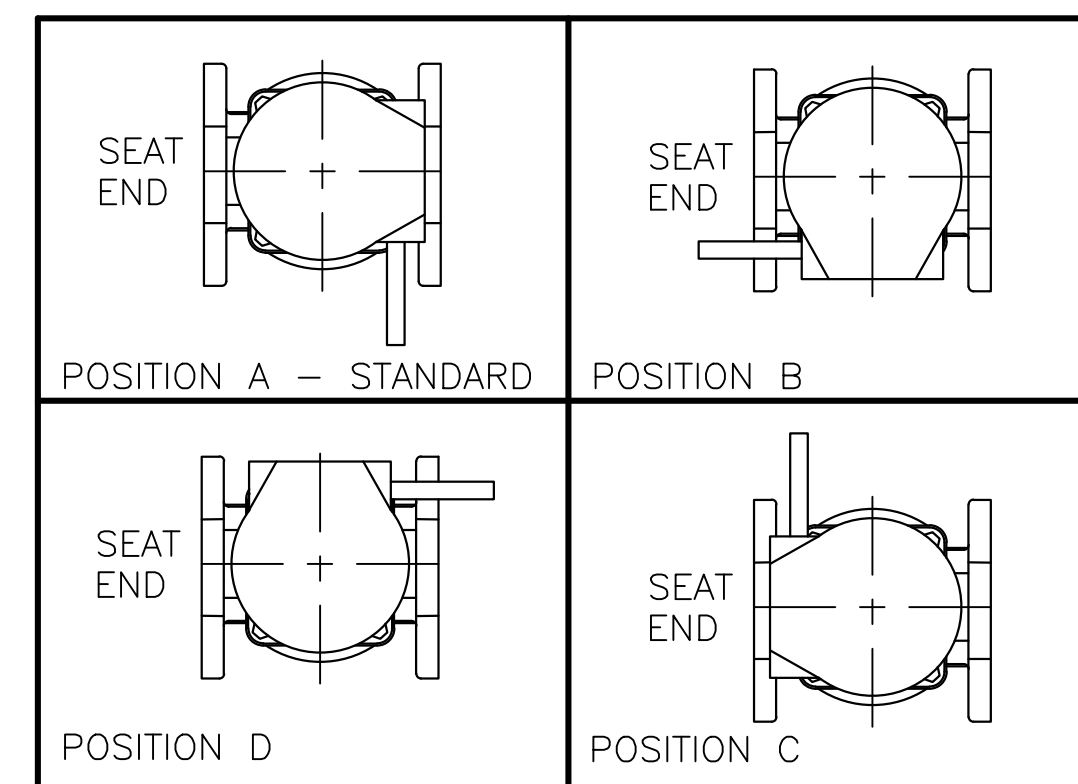
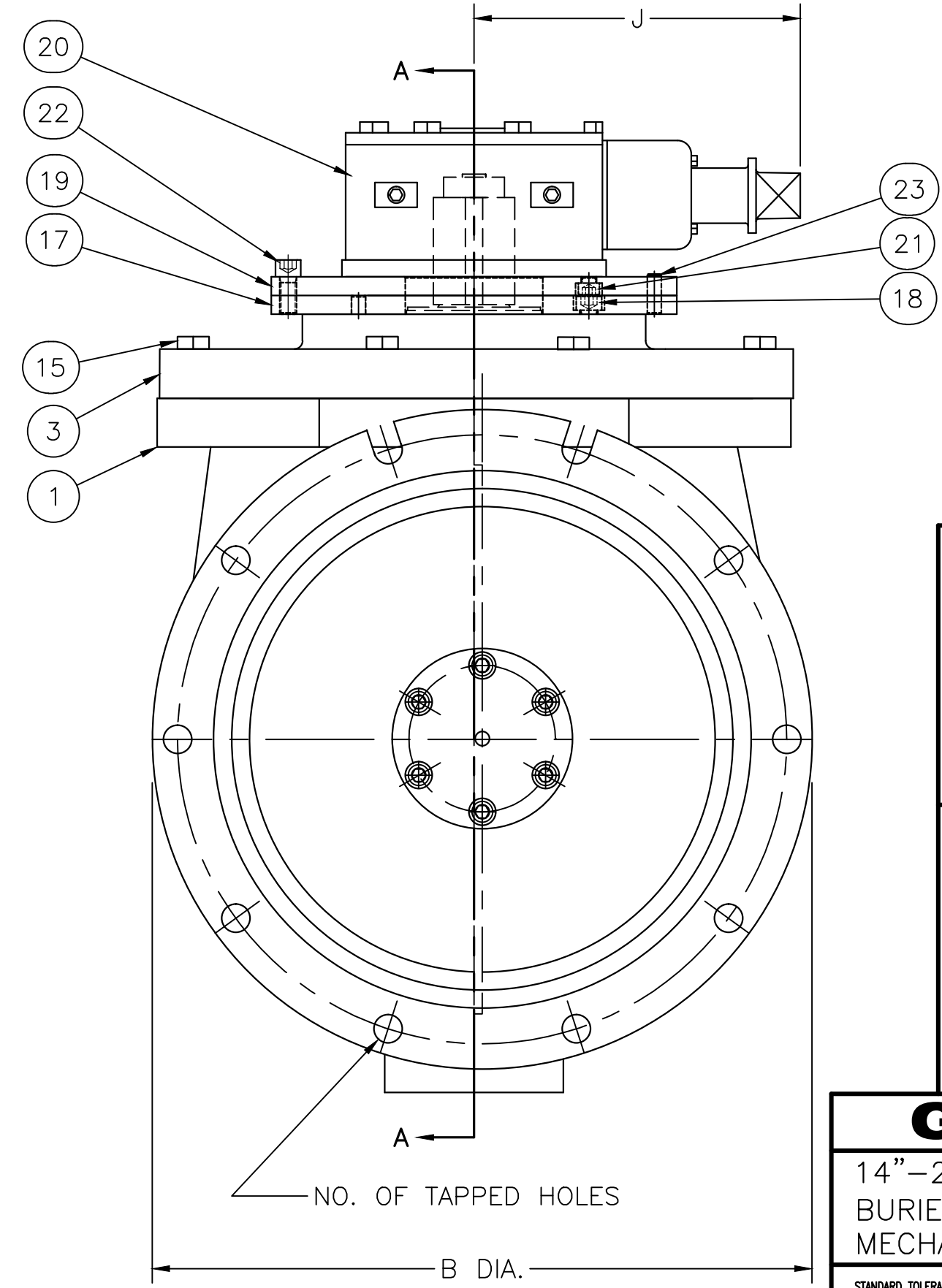
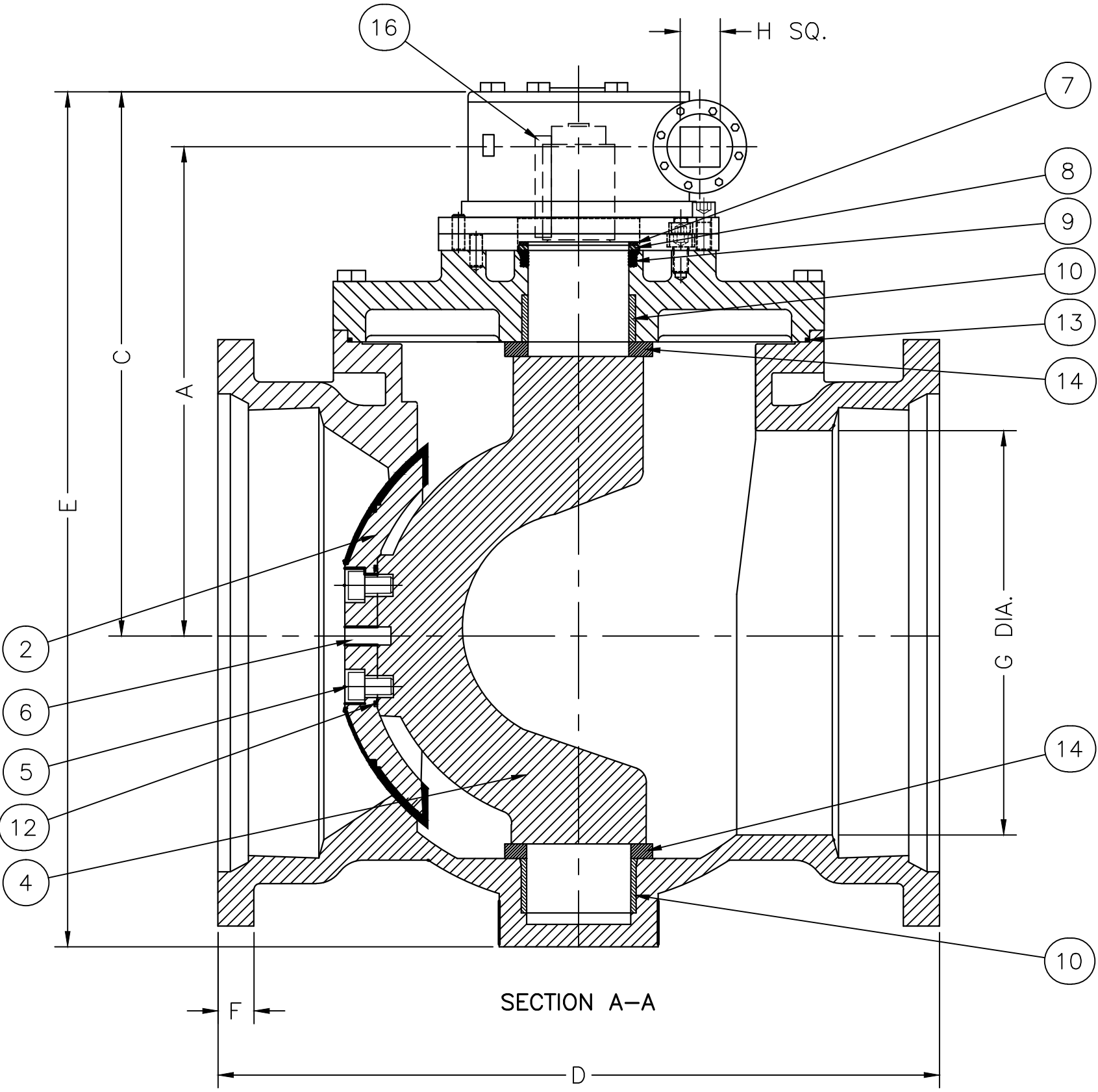
PARTS LIST

SIZE	A		B DIA.		C		D		E		F		G DIA.		H SQ.		J		NO. OF TAPPED HOLES	WEIGHT IN LBS.
	IN.	MM	IN.	MM	IN.	MM	IN.	MM	IN.	MM	IN.	MM	IN.	MM	IN.	MM	IN.	MM		
14"	17.82	453	20.28	515	21.45	545	25.00	635	32.40	783	1.26	32	13.98	355	2	50.8	16.94	430	0	877
16"	19.78	502	22.56	573	23.50	597	29.02	737	36.50	927	1.38	35	16.14	410	2	50.8	16.94	430	0	1163
18"	19.78	502	24.76	629	23.50	597	37.99	965	36.50	927	1.46	37	17.99	457	2	50.8	16.94	430	0	1466
20"	21.04	534	27.09	688	25.50	648	44.00	1118	41.50	1054	1.50	38	17.87	453	2	50.8	16.94	430	0	2142
24"	21.04	534	31.50	800	25.50	648	47.99	1219	41.50	1054	1.61	41	17.87	453	2	50.8	16.94	430	0	2268

ITEM NO.	DESCRIPTION
1	BODY
2	PLUG
3	COVER
4	SHAFT
5	PLUG SCREWS
6	PLUG PIN
7	RETAINING RING
8	THRUST RACE
9	U-CUP SEAL
10	BEARING
12	PLUG O-RING
13	COVER O-RING
14	GRIT EXCLUDER/THRUST BEARING
15	COVER BOLTS
16	KEY
17	LOWER PLATE
18	LOWER PLATE BOLTS
19	UPPER PLATE
20	WORM GEAR ACTUATOR
21	ACTUATOR BOLTS
22	PLATE-JOINING BOLTS
23	UPPER/LOWER PLATE & COVER PINS



- NOTES:
 1. FLANGE DRILLING PER ANSI A21.1 AWWA C111
 2. IN COMPLIANCE WITH AWWA C517
 3. COLD WORKING PRESSURE: 150 PSI
 4. HYDROSTATIC TEST PRESSURE: 225 PSI
 5. ACTUATOR SUPPLIED IN POSITION "A" UNLESS SPECIFIED OTHERWISE



GA INDUSTRIES, LLC
 14"-24" ECO-CENTRIC PLUG VALVE
 BURIED SERVICE W/WORM GEAR ACTUATOR
 MECHANICAL JOINT FLANGES

STANDARD TOLERANCES (UNLESS OTHERWISE NOTED) FINISHED SURFACES ONLY DIMENSIONS SHOWN IN INCHES .x = ±.02 .xx = ±.01 .xxx = ±.002 FRACTIONS ±1/64" ANGLES ±1° FINISH ♀- XX RMS	SERIAL NO. *	SCALE N.T.S.	DRAWN BY HGM APPR. BY JT	
	REFERENCES *	EFFECTIVE DATE 10-23-2009 TO	FIG. NUMBER 517	FILE PL
		DRAWING NO. PL-1006	REV. E	

REV.	DESCRIPTION	DATE	BY
E	*STEM NOW REFERRED TO AS "SHAFT" IN PARTS LIST; REVISED AS NECESS. TO REPRESENT VALVE "AS ASSEMBLED"	05/31/2012	SWR
D	REVISED VIEW TO SHOW BOLTS	10/13/2011	HGM
C	CORRECTED DIM. "D" FOR 20" SIZE	08/02/2011	SWR
B	ELIMINATED ITEM NO. 11 - PACKING	07/21/2011	SWR
A	UPDATED DWG. AS NECESSARY	07/13/2011	SWR

J:\AUTOCAD\PLUG\PL-SHOW\PL-1006-E.DWG