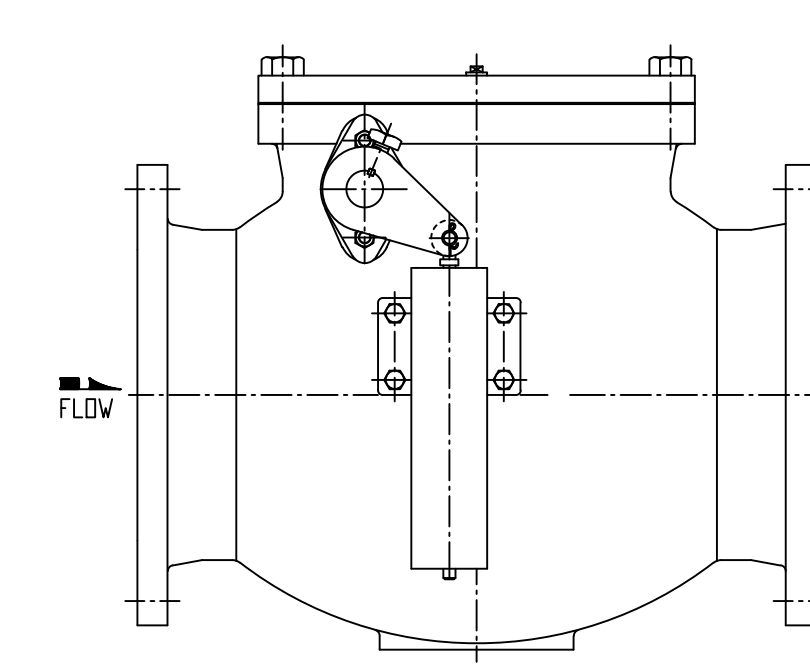
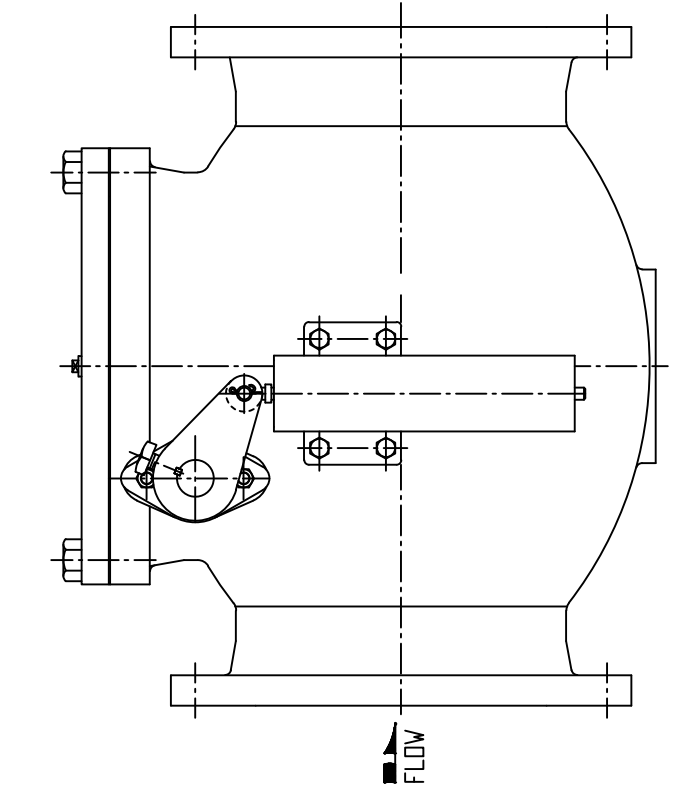


PARTS LIST

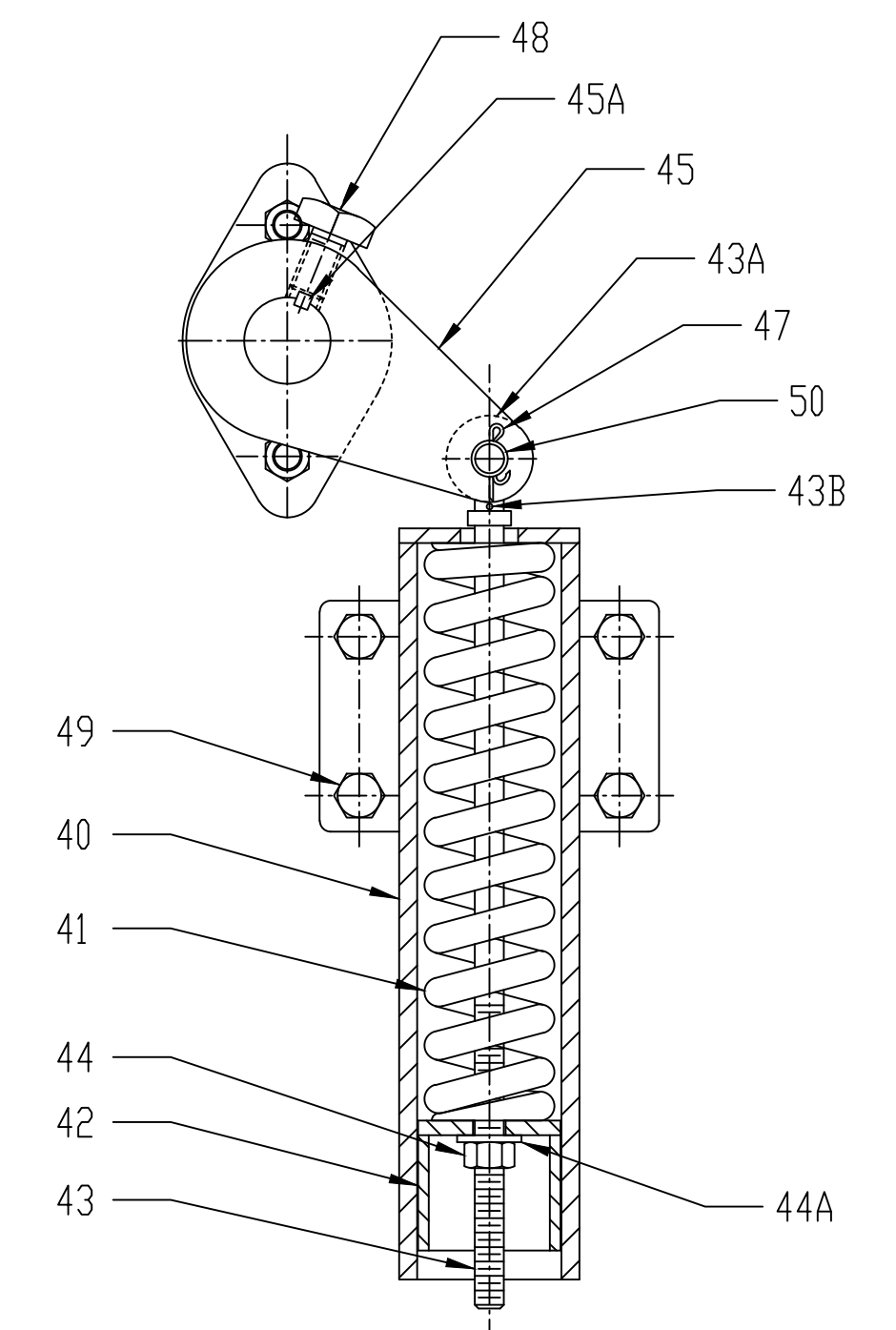
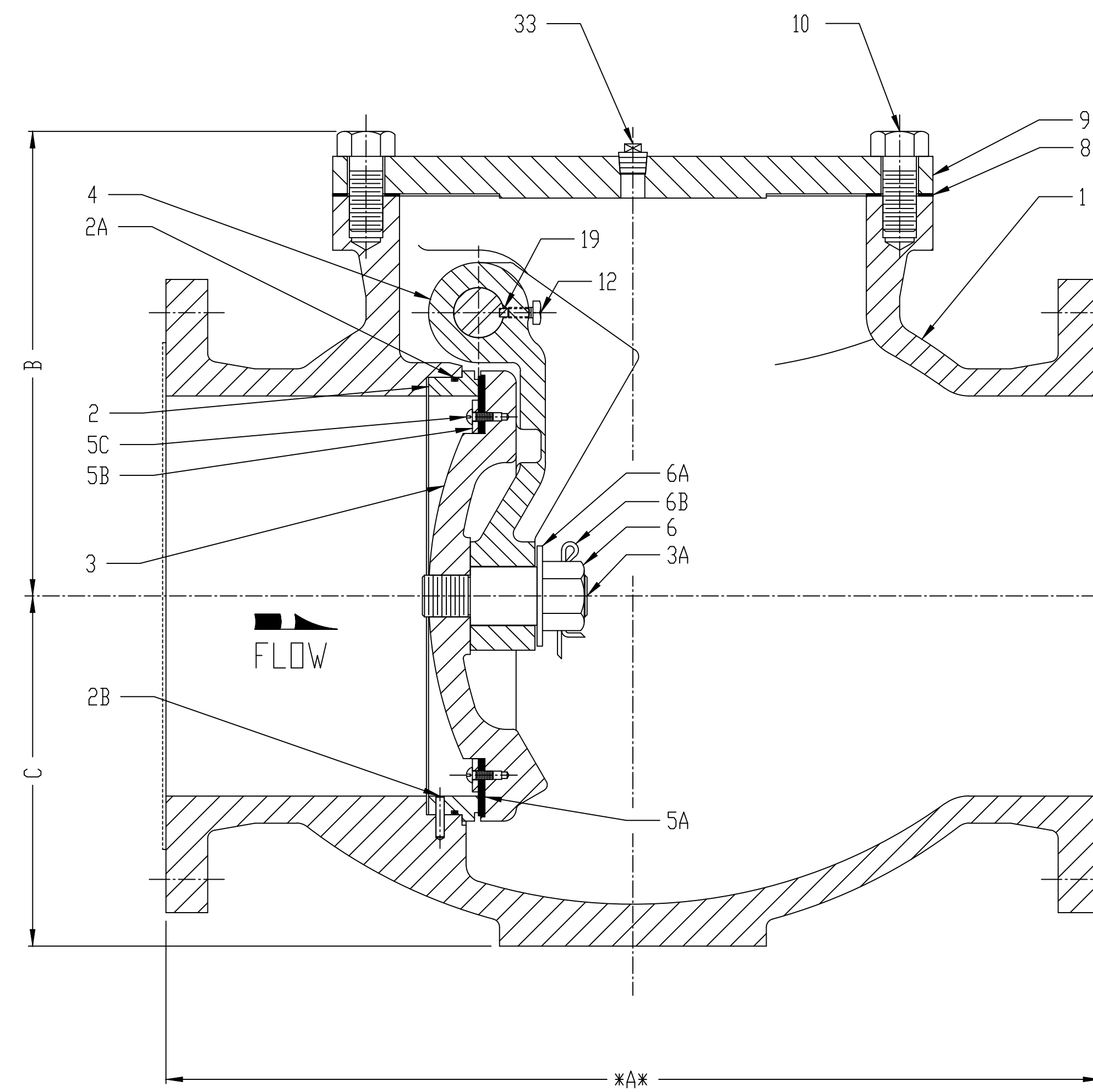
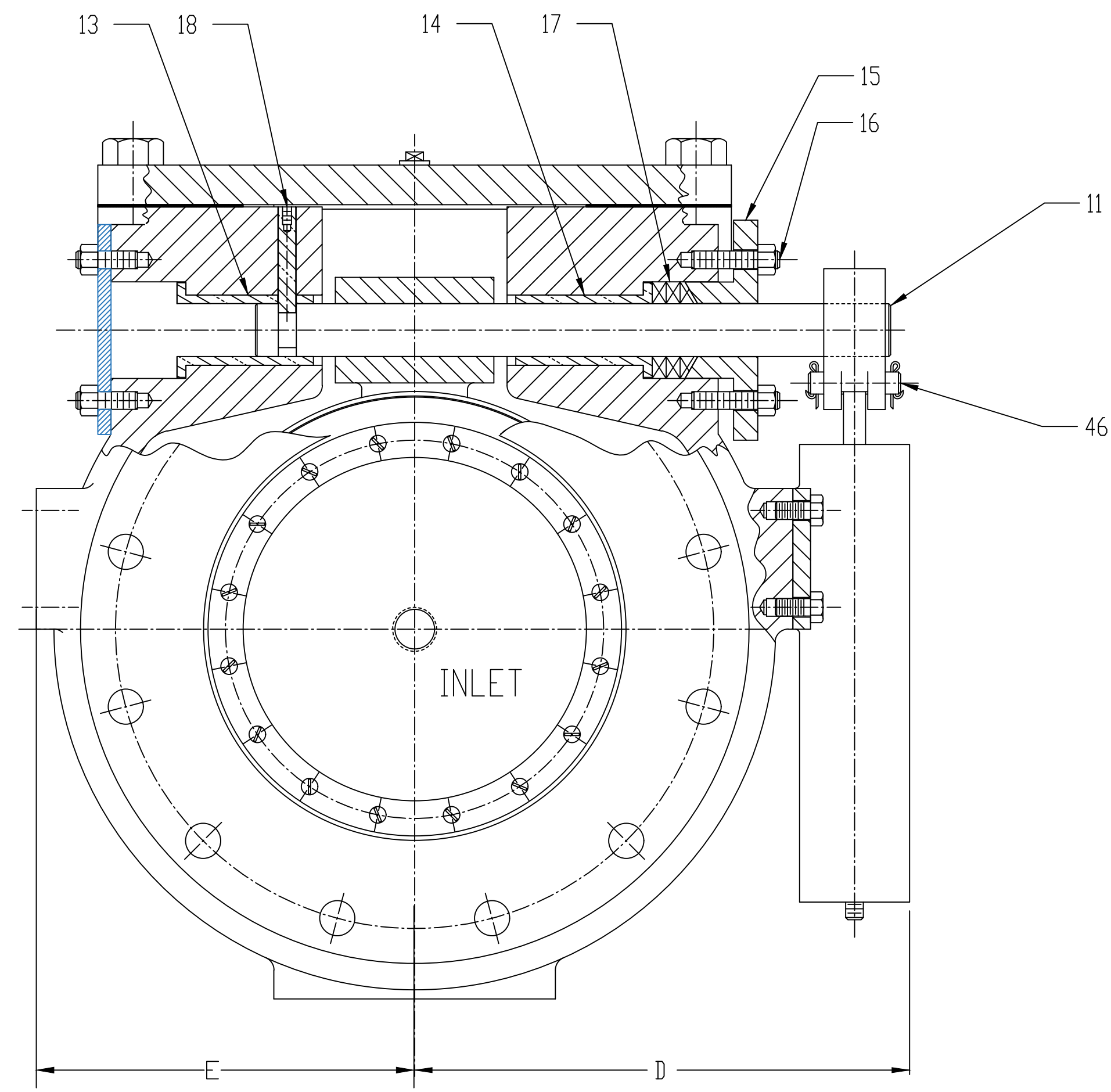
No.	DESCRIPTION	No.	DESCRIPTION	No.	DESCRIPTION
1	BODY	12	DISC ARM SET SCREW	45	SPRING LEVER
2	SEAT	13	BUSHING	45A	SPRING LEVER KEY
2A	SEAT SEAL	14	BUSHING	46	SPRING LEVER PIN
2B	SEAT PINS	15	GLAND	47	LEVER PIN COTTER PIN
3	DISC	16	GLAND STUDS & NUTS	48	SPRING LEVER SET SCREW
3A	DISC CENTER PIN	17	GLAND PACKING	49	SPRING ASSEMBLY SCREW
4	DISC ARM	18	SHAFT LOCK PIN	50	SPRING ROD BEARING
5A	RENEWABLE SEAT	19	DISC ARM KEY		
5B	SEAT FOLLOWER	33	COVER PLUG		
5C	SEAT SCREWS	40	SPRING CHAMBER/BRACKET		
6	DISC NUT	41	SPRING		
6A	DISC NUT WASHER	42	SPRING SUPPORT		
6B	DISC NUT PIN	43	SPRING ROD		
8	COVER GASKET	43A	SPRING ROD END		
9	COVER	43B	SPRING ROD ANTI-ROTATION PIN		
10	COVER BOLTS	44	SPRING ROD NUT		
11	SHAFT	44A	SPRING ROD WASHER		



HORIZONTAL INSTALLATION



VERTICAL INSTALLATION



*NOTE:
SINGLE LEVER & SPRING (RIGHT SIDE FACING INLET) IS STANDARD;
LEFT SIDE FACING INLET OR DUAL LEVER & SPRING IS OPTIONAL

NOTE: DIMENSION "A" ON VALVES WITH RAISED FACE FLANGES
DOES NOT INCLUDE THE RAISED FACE HEIGHT.

DIMENSIONS				
VALVE SIZE	16"	18"	20"	
A	IN.	36	40	40
	MM	914	1016	1016
B	IN.	23	24	24
	MM	584	610	610
C	IN.	14	16	16
	MM	356	406	406
D	IN.	21	25 1/2	25 1/2
	MM	533	648	648
E	IN.	16	18	18
	MM	406	457	457

GA INDUSTRIES				
16"-20" SWING CHECK VALVE WITH LEVER & SPRING GENERAL ARRANGEMENT				
STANDARD TOLERANCES UNLESS OTHERWISE NOTED	SERIAL NO.	SCALE	DRAWN BY JCS	
FINISHED SURFACES ONLY DIMENSIONS SHOWN IN INCHES		N.T.S.	APPR. BY	
x = .02 xx = .01 xxx = .005 FRACTIONS: 1/64" ANGLES: 1° FINISH: 0-xx RMS	REFERENCES	EFFECTIVE DATE	04-14-2021	TD
	C-1289-A	FIG. NUMBER	FILE	DRAWING NO. C-1449
		230-DS/US	C	REV