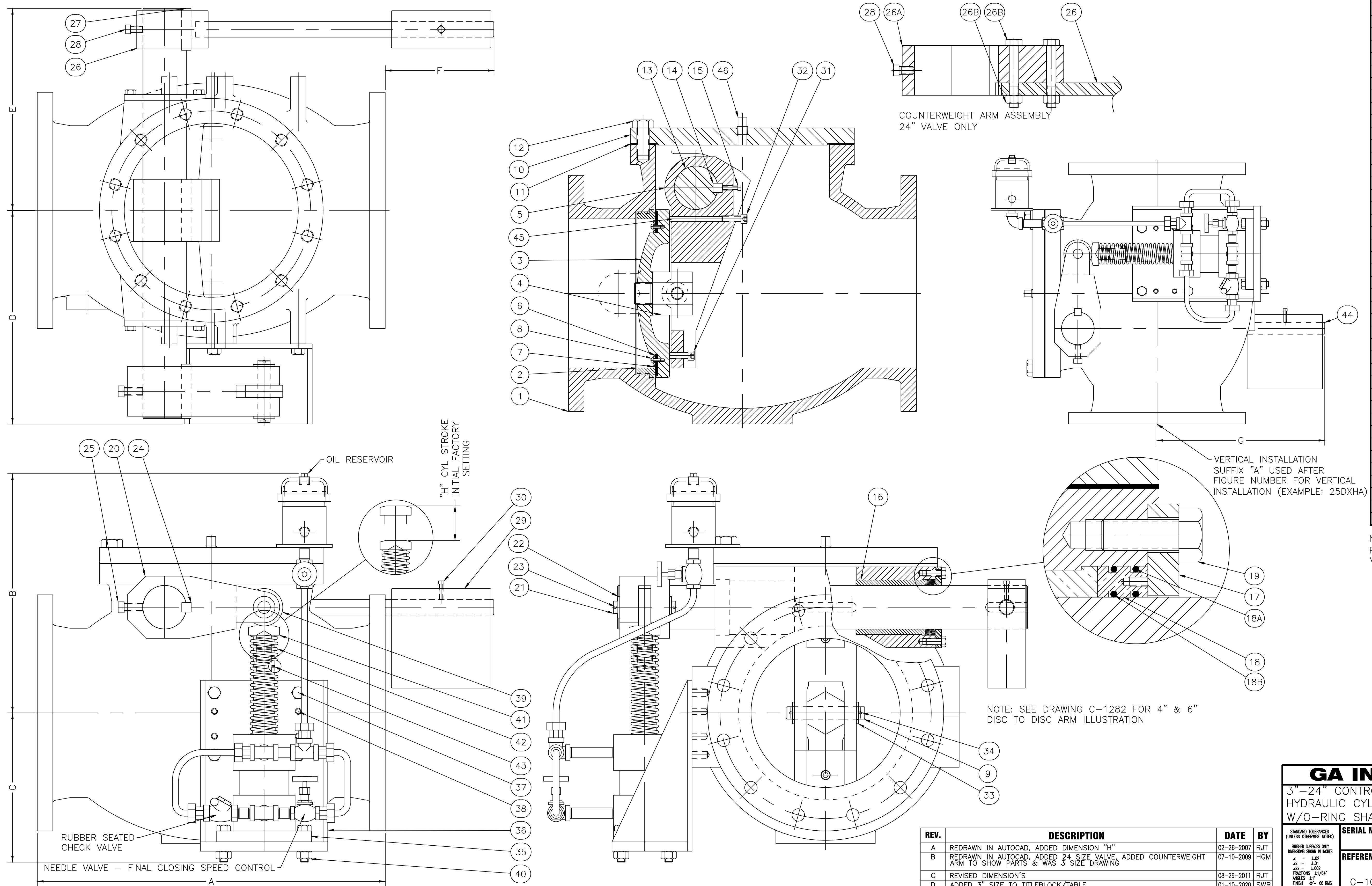


NO.	DIMENSIONS																					
	3"		4"		6"		8"		10"		12"		14"		16"		18"		20"		24"	
	IN.	MM	IN.	MM	IN.	MM	IN.	MM	IN.	MM	IN.	MM	IN.	MM	IN.	MM	IN.	MM	IN.	MM	IN.	MM
A	12	305	13	330	17 1/2	445	18	457	23	584	28	711	33	838	36	914	40	1018	40	1016	48	1220
B	12 3/16	310	9	229	10	254	12	305	15	381	15	381	20	508	20	508	20	508	24	610	28	711
C	7 3/8	187	12	305	12	305	14	356	14	356	12	305	16	407	16	407	16	407	20	508	24	610
D	6 3/8	162	11	279	12	279	14 3/4	330	15	381	17	432	20	508	21	533	22	559	28	711	34	864
E	6 3/4	172	8	203	11	229	13 1/2	279	13	330	16 1/2	381	20	508	21	533	22	559	26	661	32	813
F	17 1/2	445	16 1/4	413	14 1/4	362	13 1/2	343	5 5/8	143	8 3/4	222	3 1/2	89	2	51	1 1/4	32	1 1/4	32	13	330
G	23	584	21 13/16	554	20 5/8	524	18 7/8	479	13 1/4	337	18	457	15 1/2	394	14 1/2	368	15	381	13 3/4	349	19 1/8	486
H	7/16	11	1/2	13	3/4	19	13/16	20	1	25	1 1/8	29	1 1/4	32	1 11/16	43	1 3/4	45	1 3/4	45	1 3/4	45

NO.	PARTS NAMES
1	BODY
2	SEAT
3	DISC
*3A	DISC GUIDE
*3B	DISC SCREWS
4	DISC CLEVIS
*4A	DISC CLEVIS LOCKNUT
5	DISC ARM
*5A	DISC ARM ADJUSTABLE LOCKNUTS
6	SEAT WASHER
7	SEAT FOLLOWER
8	SEAT FOLLOWER SCREWS
9	DISC CLEVIS PIN
10	COVER
11	COVER GASKET
12	COVER BOLTS
13	SHAFT
14	DISC ARM KEY
15	DISC ARM SET SCREW
16	SHAFT BUSHINGS
16A	BUSHING O-RING
17	O-RING CARTRIDGE RETAINER
18	O-RING CARTRIDGE
18A	OUTER O-RING
18B	INNER O-RING
19	PACKING GLAND BOLTS
20	LEVER
21	LEVER PIN
22	LEVER PIN WASHERS
23	LEVER PIN COTTER PINS
24	LEVER KEY
25	LEVER SET SCREW
26	COUNTERWEIGHT ARM
*26A	COUNTERWEIGHT ARM HUB
*26B	COUNTERWEIGHT ARM BOLTS & NUTS
27	COUNTERWEIGHT ARM KEY
28	COUNTERWEIGHT ARM SET SCREW
29	COUNTERWEIGHT
30	COUNTERWEIGHT SET SCREW
31	LOWER DISC ARM SCREW
32	UPPER DISC ARM SCREW
33	DISC CLEVIS PIN WASHER
34	DISC CLEVIS COTTER PIN
35	HYDRAULIC CYLINDER
36	CYLINDER BRACKET
37	CYLINDER BRACKET BOLTS
38	CYLINDER BRACKET PINS
39	CAM ROLLER
40	CYLINDER MOUNTING BOLTS
41	ADJUSTABLE STRIKER
42	SPRING
43	ADJUSTABLE STRIKER SET SCREW
45	DISC ARM UPPER SPACER PIN



NOTE:
PART NUMBERS WITH * ARE FOR 24" VALVE SIZE ONLY.

REV.	DESCRIPTION	DATE	BY
A	REDRAWN IN AUTOCAD, ADDED DIMENSION "H"	02-26-2007	RJT
B	REDRAWN IN AUTOCAD, ADDED 24 SIZE VALVE, ADDED COUNTERWEIGHT ARM TO SHOW PARTS & WAS 3" SIZE DRAWING	07-10-2009	HGM
C	REVISED DIMENSION'S	08-29-2011	RJT
D	ADDED 3" SIZE TO TITLEBLOCK/TABLE	01-10-2020	SWR

GA INDUSTRIES, LLC
 3"-24" CONTROLLED CLOSING SWING CHECK VALVE
 HYDRAULIC CYLINDER OPERATED
 W/O-RING SHAFT CARTRIDGE

STANDARD TOLERANCES (UNLESS OTHERWISE NOTED)	SERIAL NO.	SCALE	DRAWN BY
FINISHED SURFACES ONLY (DIMENSIONS SHOWN IN INCHES)		NTS	HGM
± .002	REFERENCES	EFFECTIVE DATE	APPR. BY
± .01		04-13-1999 TO	
± .005	FIG. NUMBER	FILE	DRAWING NO.
± .001	C-1044	C	C-1305
± .0005	REV.		D
ANGLES ± 1°			
FINISH: 125 RA			

J:\GA-VALVE\GA-SHOW\C-1305-D.DWG