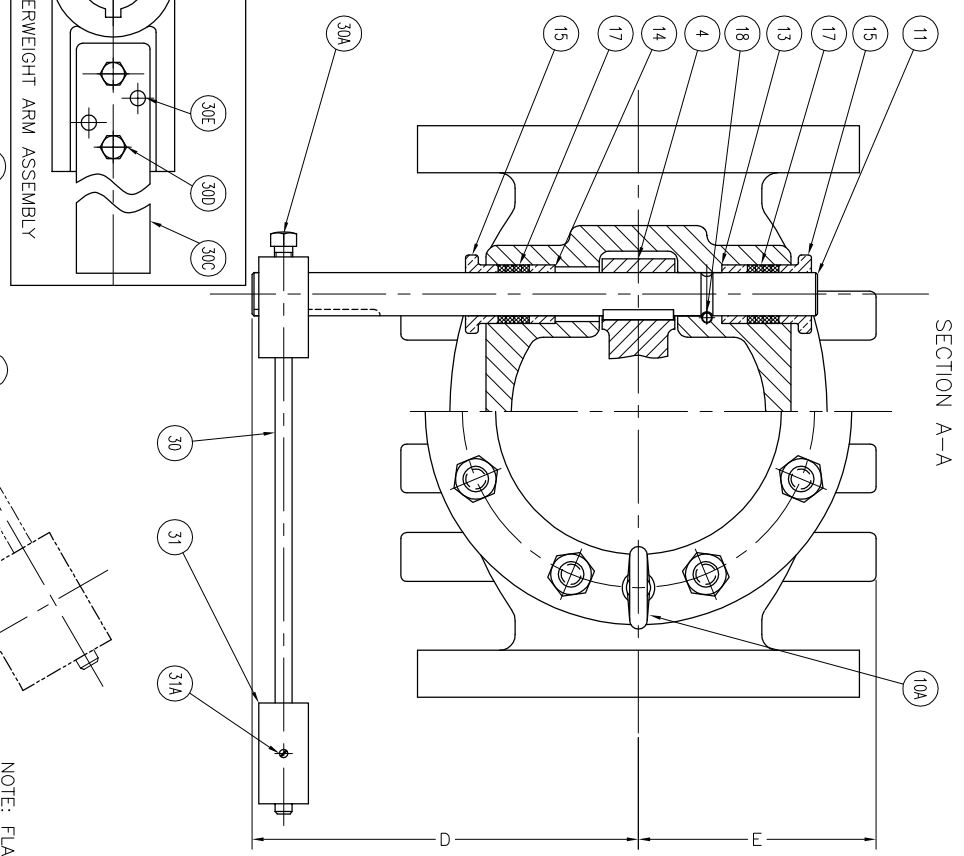
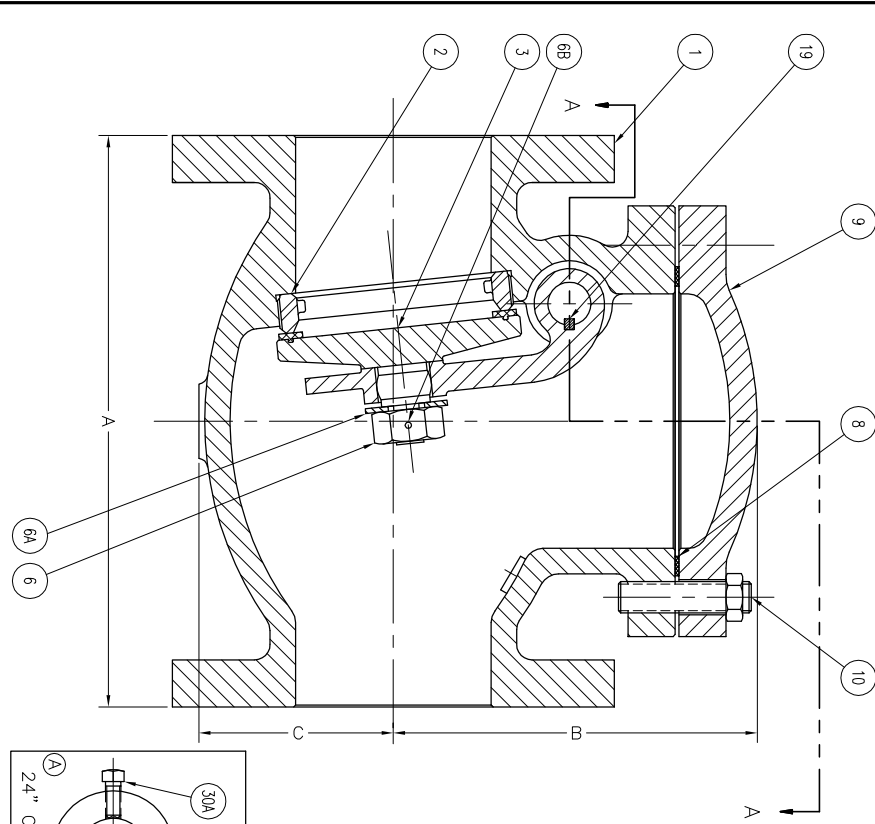


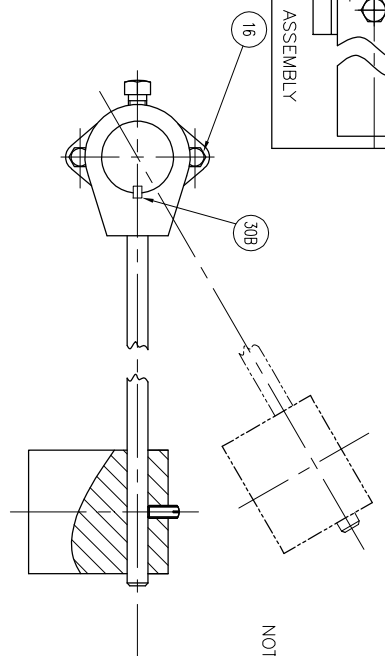
REV.	DESCRIPTION	DATE	BY
A	ADDED ITEM NO. 308, ADDED 24" ITEM NO. 30C, 30D, AND 30E. ADDED 24" COUNTERWEIGHT ARM ASSEMBLY.	05-31-2007	JB
B	REMOVED TOLERANCE BLOCK, USED ONLY FOR MACHINING PURPOSES.	08-04-2010	HGM



NO.	DESCRIPTION
1	BODY
2	BODY SEAT
3	DISC W/SEAT
4	DISC ARM
6	DISC NUT
6A	DISC NUT WASHER
6B	DISC NUT PIN
8	COVER GASKET
9	COVER
10	COVER STUD W/NUT
10A	COVER EYE BOLT
11	SHAFT
13	INNER BUSHING
14	OUTER BUSHING
15	GLAND
16	GLAND BOLT
17	PACKING
18	SHAFT LOCK PIN
19	DISC ARM KEY
30	COUNTERWEIGHT ARM
30A	COUNTERWEIGHT ARM SET SCREW
30B	COUNTERWEIGHT ARM KEY
30C	CNT ARM (24" ONLY)
30D	CNT ARM BOLTS (24" ONLY)
30E	CNT ARM PINS (24" ONLY)
31	COUNTERWEIGHT
31A	COUNTERWEIGHT SET SCREW

DIMENSIONS

SIZE	A		B		C		D		E		
	INCHES	mm	INCHES	mm	INCHES	mm	INCHES	mm	INCHES	mm	
3"	80	9 1/2	241	6 1/4	157	3	76	9 3/4	247	4 1/4	102
4"	100	11 1/2	292	7 1/2	186	3 3/4	94	10 1/4	259	5	122
6"	150	14	356	9 1/2	237	4 7/8	125	12	301	6 1/4	158
8"	200	19 1/2	495	11 1/4	282	5	163	14 1/4	358	7 3/4	193
10"	250	24 1/2	622	14 1/4	357	7 1/2	188	15 1/4	387	9 1/4	233
12"	300	27 1/2	698	16 1/2	417	9	224	16 1/2	416	10 1/4	260
14"	350	31	787	17 3/4	447	10 1/2	265	17 1/2	439	11 1/4	280
16"	400	36	914	19 1/2	495	11 3/4	296	22	557	12 1/2	312
18"	450	40	1016	21 1/4	536	12 3/4	320	23 1/4	590	13 1/2	343
20"	500	40	1016	23 1/4	586	14	357	24 1/2	621	14 3/4	373
24"	600	47 5/8	1210	28 1/4	720	17 1/4	435	27	686	18 1/2	470
30"	750	60	1524	33	838	26	660	41	1041		



NOTE: FLANGES PER ANSI B16.1, 125 Lb. CLASS

GA INDUSTRIES, INC.

3"-30" LUDLOW FIGURE 340-W SWING CHECK VALVE W/ LEVER & WEIGHT

SERIAL NO.	SCALE	DRAWN BY	JB
REFERENCES	NONE	APPR. BY	JUF
FIG. NUMBER	EFFECTIVE DATE	FILE	DRAWING NO.
340-W	01-16-2007 TO	C	C-1366
			REV. B

J:\GA-VALVE\GA-SHOW\C-1366-B.DWG