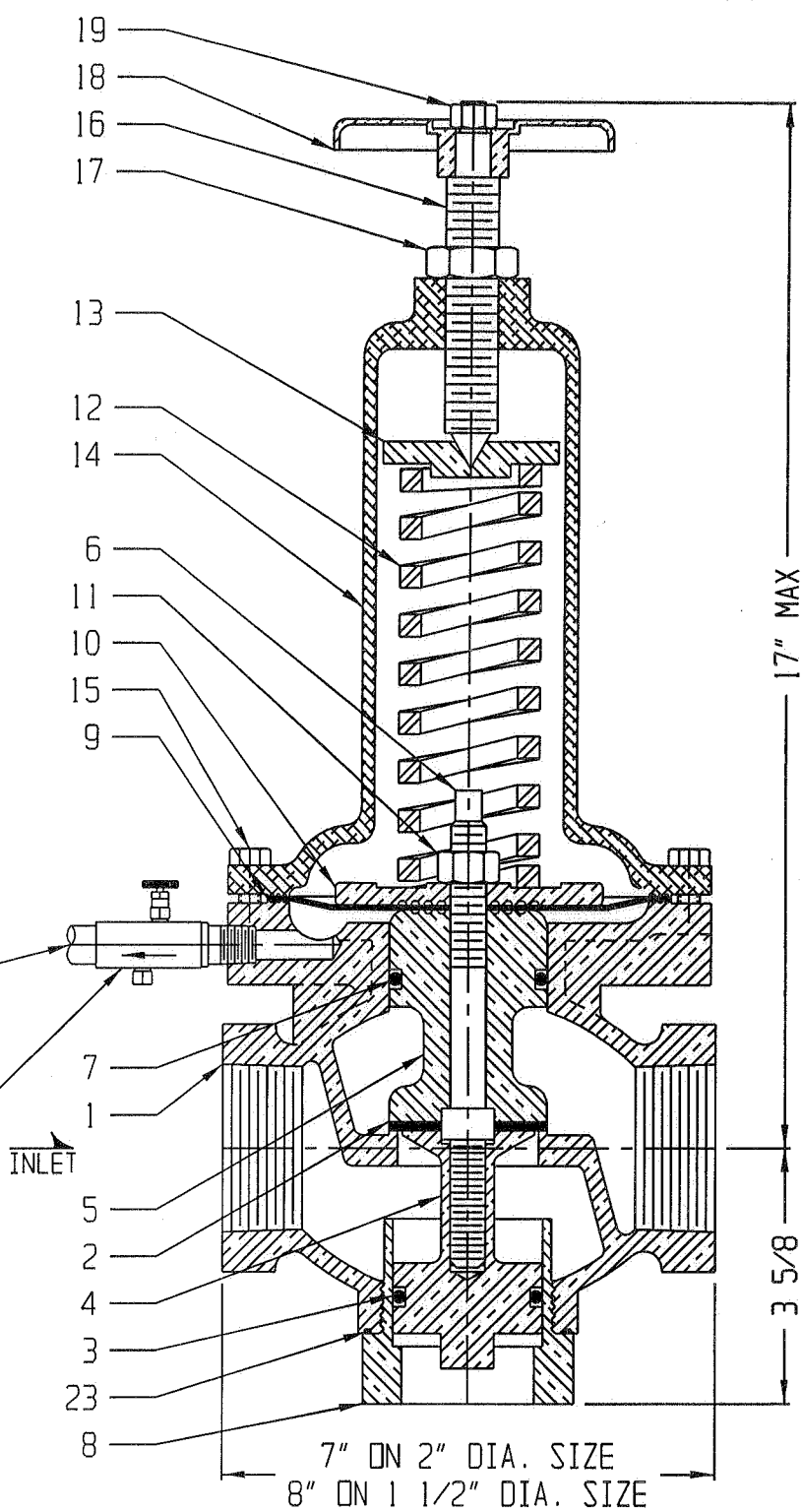


PARTS LIST

1	BODY
2	SEAT RING
3	LOWER STEM SPACER O-RING
4	LOWER STEM SPACER
5	UPPER STEM SPACER
6	STEM
7	UPPER STEM SPACER O-RING
8	BODY CAP
9	DIAPHRAGM
10	DIAPHRAGM DISC
11	STEM NUT
12	SPRING
13	SPRING GUIDE
14	SPRING CHAMBER
15	SPRING CHAMBER SCREWS
16	ADJUSTING SCREW
17	ADJUSTING SCREW LOCKNUT
18	HANDWHEEL
19	HANDWHEEL NUT
23	BODY CAP O-RING



SENSING LINE  
PIPE TO INLET

FLOW CONTROL VALVE  
CONTROLS CLOSING SPEED

NOTE:  
BUSHINGS USED FOR  
SIZES SMALLER THAN 2"

SERIAL NO. \_\_\_\_\_  
DATA REQ'D: \_\_\_\_\_  
RELIEVE AT: \_\_\_\_\_

F:\GA-VALVE\GA-SHOW\B-1041-B.PRT

REV. B REDORGANIZED NOTES FOR CLARITY, HGM, 5-10-01  
REV. A: REDRAWN, DAB, 8/1/96

<b>GA INDUSTRIES, INC.</b> 1 1/2" & 2" RELIEF VALVE SCREWED ENDS - GENERAL ARRANGEMENT & DIMENSIONS	STANDARD TOLERANCES (UNLESS OTHERWISE NOTED)	REFERENCES	SCALE	DRAWN BY	
	FINISHED SURFACES ONLY DIMENSIONS SHOWN IN INCHES	SERIAL NO.	N.T.S.	JEL	
	.x = .02 .xx = .01 .xxx = .002 FRACTIONS 1/64" ANGLES 1° FINISH & - XX RMS	FIG. NO.	EFFECTIVE DATE:	APPR. BY	
		667-D	2/15/77		
		FILE	DRAWING NO.	REV	
		B-1	B-1041	B	