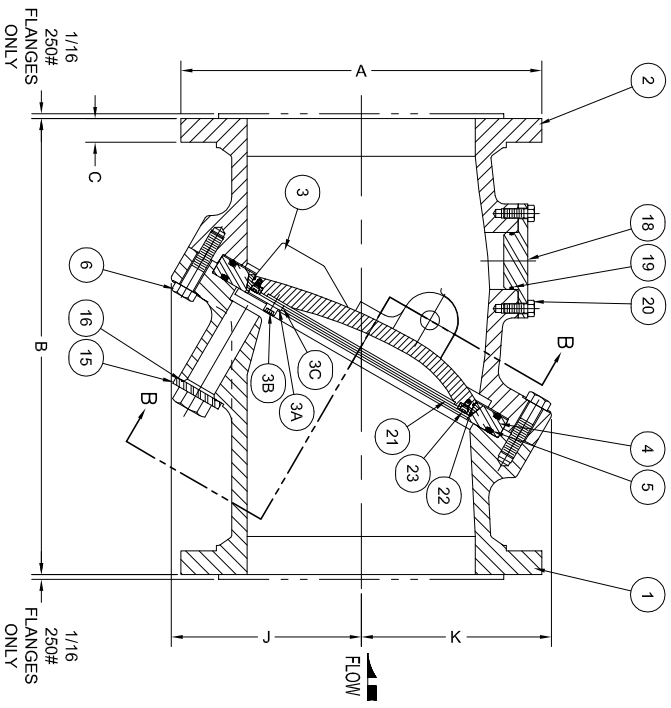
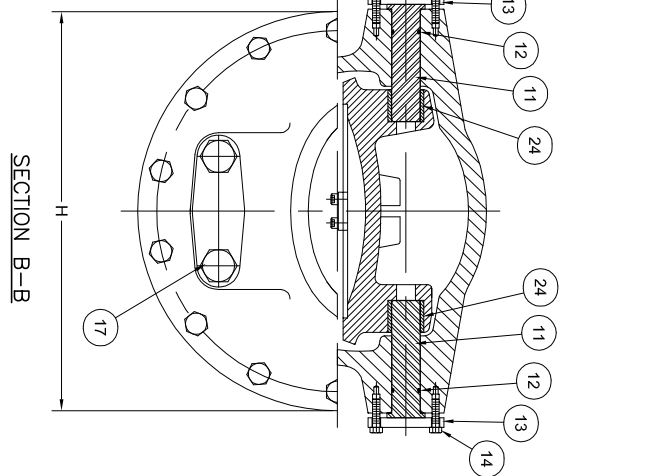
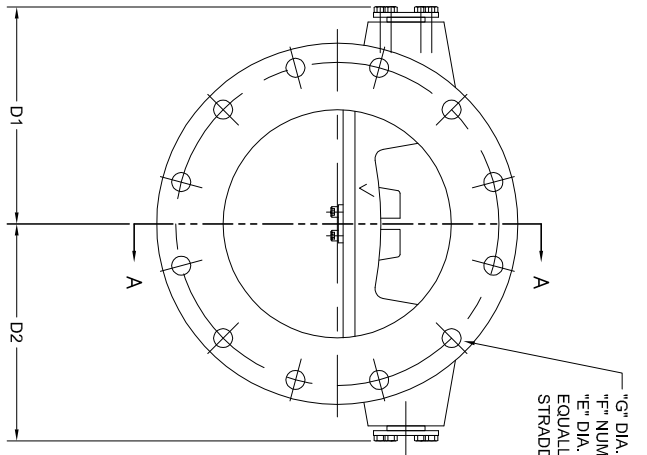


VALVE SIZE	A		B		C		D1	D2	E		F		G		H	J	K	EST. WT.
	125#	250#	125#	250#	125#	250#			125#	250#	125#	250#	125#	250#				
16	23 1/2	25 1/2	30	1 7/16	2 1/4	14 1/4	14 1/4	21 1/4	22 1/2	16	20	1 1/8	1 3/8	25	12 9/16	12 9/16	144#	
18	25	28	33	1 9/16	2 3/8	15 1/4	15 1/4	22 3/4	24 3/4	16	24	1 1/4	1 3/8	27 1/4	13 1/8	13 1/8	138#	
20	27 1/2	30 1/2	32	1 11/16	2 1/2	17	17	25	27	20	24	1 1/4	1 3/8	30	14 1/4	14 1/4	162#	
24	32	36	38	1 7/8	2 3/4	18 1/4	18 1/4	29 1/2	32	20	24	1 3/8	1 5/8	35	16 7/16	16 7/16	204#	
30	38 3/4	43	52	2 1/8	2 13/16	24	24	38	39 1/4	28	28	1 3/8	2	52 1/2	22 7/8	22 7/8	420#	
36	46	50	59 1/2	2 3/8	3 5/16	26 1/2	26 1/2	42 3/4	46	32	32	1 3/8	2 1/4	52	25	25	620#	
42	53	57	60	2 5/8	3 11/16	30	30	49 1/2	52 3/4	36	36	1 5/8	2 1/4	60	27 3/4	27 3/4	840#	

FLANGES PER ANSI B16.1
 NOTE: "B" DIMENSION ON VALVES WITH RAISED FACE
 FLANGES DOES NOT INCLUDE THE RAISED FACE HEIGHT



SECTION A-A



SECTION B-B

ITEM	DESCRIPTION
1	INLET BODY SECTION
2	OUTLET BODY SECTION
3	DISC
3A	DISC STRIKER PLATE
3B	DISC STRIKER PLATE SCREWS
3C	DISC STRIKER PLATE SPACER
4	SEAT RING
5	SEAT RING SEALS
6	BODY BOLTS
11	PIVOT PIN
12	PIVOT PIN SEAL
13	END PLATE
14	END PLATE BOLTS
15	INLET BODY SECTION INSPECTION COVER
16	INLET BODY SECTION INSPECTION COVER SEAL
17	INLET BODY SECTION INSPECTION COVER BOLTS
18	OUTLET BODY SECTION INSPECTION COVER
19	OUTLET BODY SECTION INSPECTION COVER SEAL
20	OUTLET BODY SECTION INSPECTION COVER BOLTS
21	DISC SEAT
22	DISC SEAT SEAL
23	DISC SEAT SCREWS
24	DISC BUSHING

REV.	DESCRIPTION	DATE	BY
A	REVISD DIMENSIONS J & K	11-06-2013	BRE
A	DELETED 14" SIZE ADDED 30"-42" SIZES	08-04-2011	RJJ

GA INDUSTRIES, LLC
 16" - 42" TILTING DISC CHECK VALVE ASSY
 W/ INLET & OUTLET BODY SECTION
 INSPECTION PORTS

DIMENSIONS IN INCHES
 SERIAL NO. 7125
 PER. NUMBER 03-27-2009
 DATE 11/07/14
 PROPERTY OF GA INDUSTRIES, LLC
 DRAWING NO. TD-1055
 DRAWN BY HGM
 APPR. BY JLT
 SCALE NTS
 DRAWING NO. TD-1055