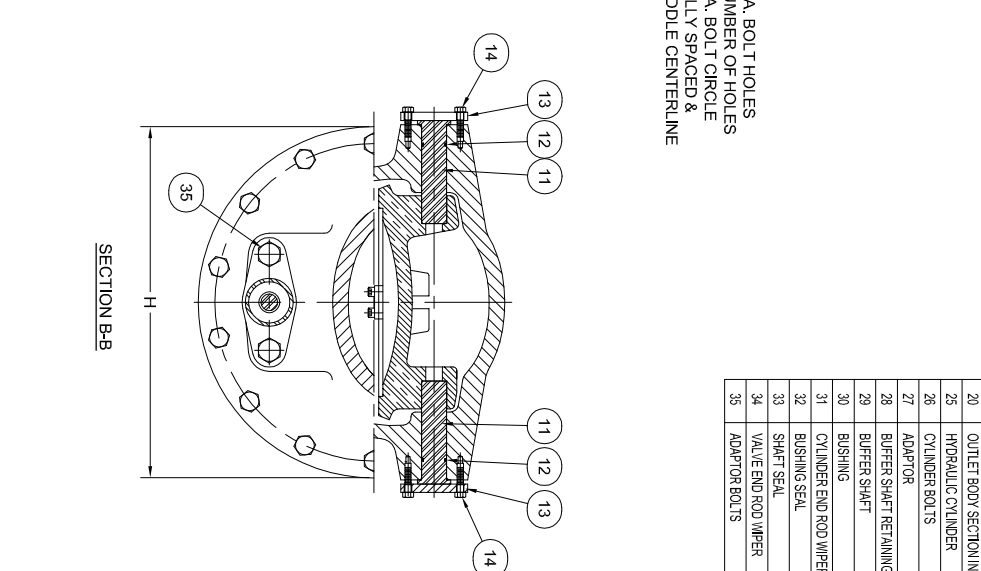
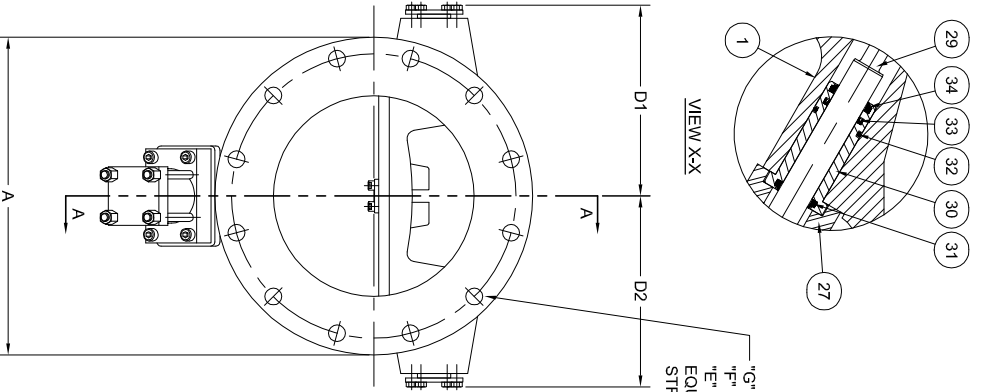
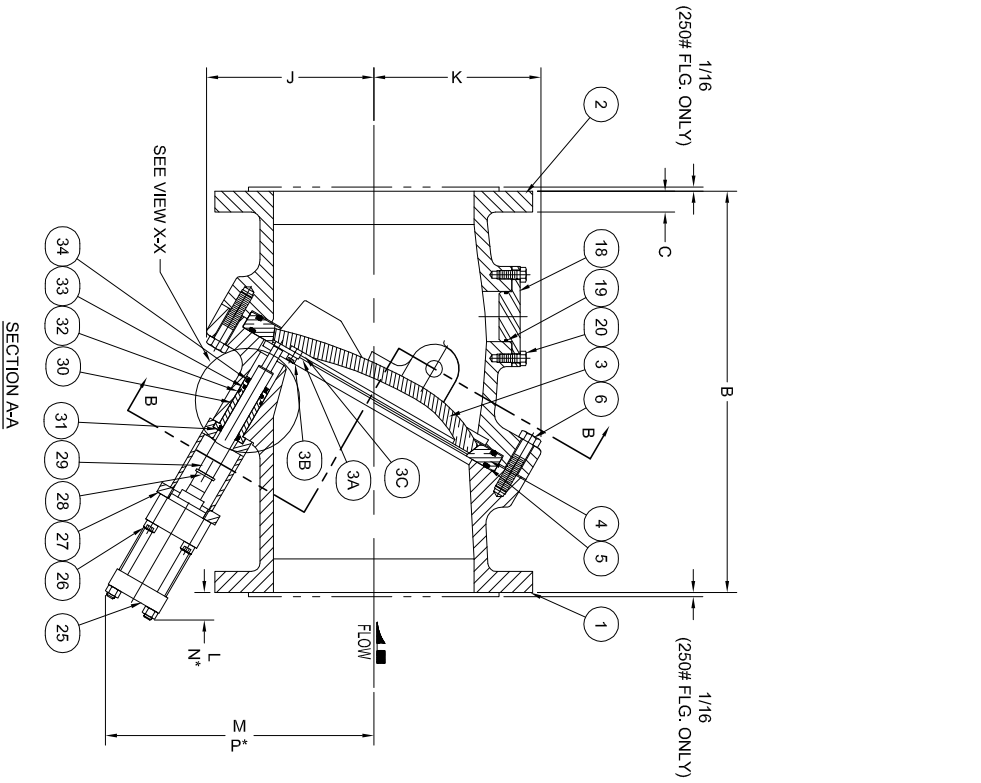


VALVE SIZE	A		B		C		D1	D2	E		F		G		H	J	K	L	M	N*	P*	EST. WT.
	125#	250#	125#	250#	125#	250#			125#	250#	125#	250#	125#	250#								
6	12 1/2	15 1/2	1	1 7/16	7	7	9 1/2	10 5/8	8	12	7/8	7/8	11 1/2	5 1/2	5 1/2	1 1/4	10	4 3/4	12 1/2	200#		
8	13 1/2	15	1 1/8	1 5/8	9 1/2	9 1/2	11 3/4	13	8	12	7/8	7/8	14 3/4	7 3/16	7 3/16	2 1/4	12 5/8	6 3/8	15 1/2	380#		
10	16	17 1/2	1 3/16	1 7/8	9 3/4	9 3/4	14 1/4	15 1/4	12	16	1	1	17	8 1/4	8 1/4	2 1/4	14 3/4	8	18 1/4	580#		
12	19	20 1/2	2 1/4	2	12 1/2	12 1/2	17	17 3/4	12	16	1	1	21	10	10	1 3/4	16 1/4	7 3/4	19 7/8	770#		
14	21	23	3 1/8	2 1/8	13	13	18 3/4	20 1/4	12	20	1 1/8	1 1/8	22 5/8	10 3/4	10 3/4	---	17	4 1/2	20 1/2	990#		

NOTES: 1. FLANGES PER ANSI B16.1.
 2. DIMENSION "P" ON VALVES WITH RAISED FACE FLANGES DOES NOT INCLUDE THE RAISED FACE HEIGHT.
 3. DIMENSIONS "M" & "P" REPRESENT CLEARANCE REQUIRED FOR BUFFER REMOVAL.



"G" DIA. BOLT HOLES
 "F" NUMBER OF HOLES
 "E" DIA. BOLT CIRCLE
 EQUALLY SPACED &
 STRADDLE CENTERLINE

PARTS LIST	
No.	DESCRIPTION
1	INLET BODY SECTION
2	OUTLET BODY SECTION
3	DISC
3A	DISC STINGER PLATE
3B	DISC STINGER PLATE SCREWS
3C	DISC STINGER PLATE SPACER
4	SEAT RING
5	SEAT RING SEALS
6	BODY BOLTS
11	PIVOT PIN
12	PIVOT PIN SEAL
13	END PLATE
14	END PLATE BOLTS
18	OUTLET BODY SECTION INSPECTION COVER
19	OUTLET BODY SECTION INSPECTION COVER SEAL
20	OUTLET BODY SECTION INSPECTION COVER BOLTS
25	HYDRAULIC CYLINDER
26	CYLINDER BOLTS
27	ADAPTOR
28	BUFFER SHAFT RETAINING RING
29	BUFFER SHAFT
30	BUSHING
31	CYLINDER END ROD WIPER
32	BUSHING SEAL
33	SHAFT SEAL
34	VALVE END ROD WIPER
35	ADAPTOR BOLTS

REV.	DESCRIPTION	DATE	BY
A	ADDED PARTS #2A, #2B, #3C & #4A	06-26-2003	MLB
B	REVISED SEAT RING SEAL CONFIGURATION	10-29-2003	MLB
C	REVISED DIMENSIONS 2" VALVE SIZE	09-30-2005	JJF
D	REDESKIN IN AUTOCAD, DELETED SIZES 20" & 24"	08-04-2011	FJT
E	DELETED SIZES 16" & 18"	11-12-2013	BRF
F	REVISED DIMENSIONS J,K,L,M,N & P		

GA INDUSTRIES, LLC
 6" - 14" TILTING DISC CHECK VALVE
 W/ BOTTOM MOUNTED BUFFER

DIMENSIONS IN INCHES

STANDARD TOLERANCES: FRACTIONS DECIMALS ANGLES
 1/16 0.0031 0.0005 1/16
 1/32 0.0015 0.0002 1/32
 3/32 0.0031 0.0005 3/32
 1/8 0.0031 0.0005 1/8
 3/16 0.0031 0.0005 3/16
 1/4 0.0031 0.0005 1/4
 3/8 0.0031 0.0005 3/8
 1/2 0.0031 0.0005 1/2
 3/4 0.0031 0.0005 3/4
 1 0.0031 0.0005 1
 1 1/4 0.0031 0.0005 1 1/4
 1 1/2 0.0031 0.0005 1 1/2
 2 0.0031 0.0005 2
 3 0.0031 0.0005 3
 4 0.0031 0.0005 4
 5 0.0031 0.0005 5
 6 0.0031 0.0005 6
 8 0.0031 0.0005 8
 10 0.0031 0.0005 10
 12 0.0031 0.0005 12
 14 0.0031 0.0005 14

PROPERTY OF GA INDUSTRIES, LLC
 SERIAL NO. 7125-B
 DATE 11/04/14
 REFERENCES FILE TD-1045
 DRAWING NO. TD-1043

DRAWN BY ALB
 CHECKED BY JLF
 SCALE NTS
 APPROVED BY JLF