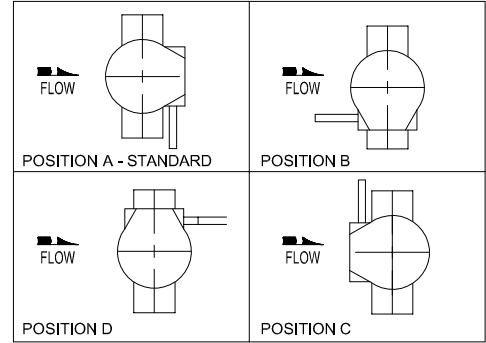
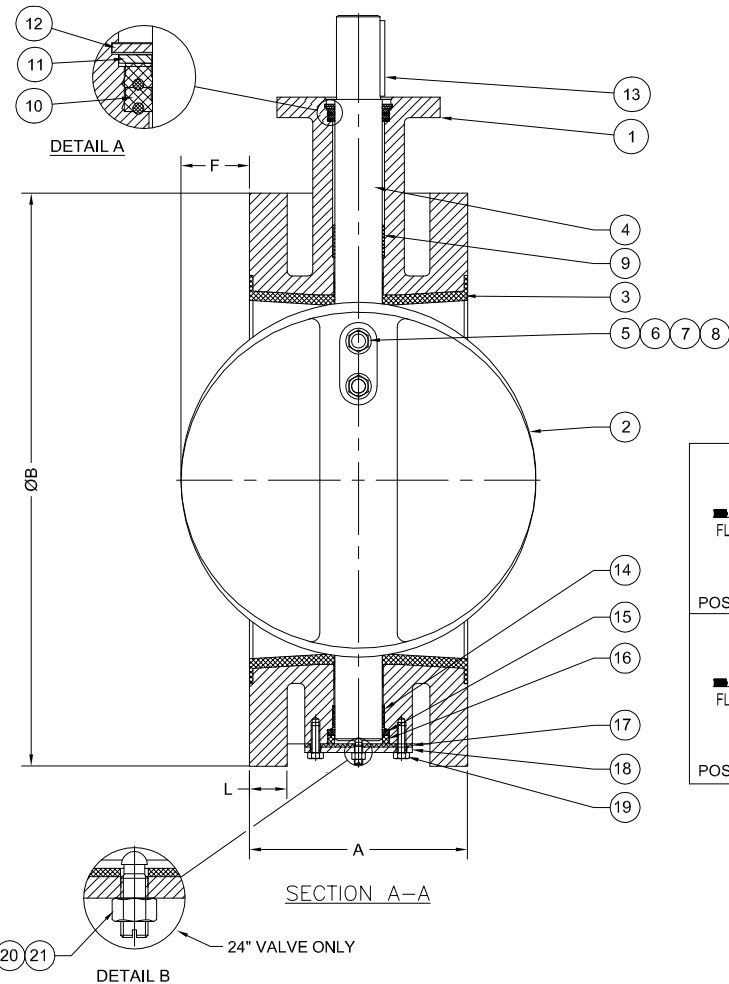
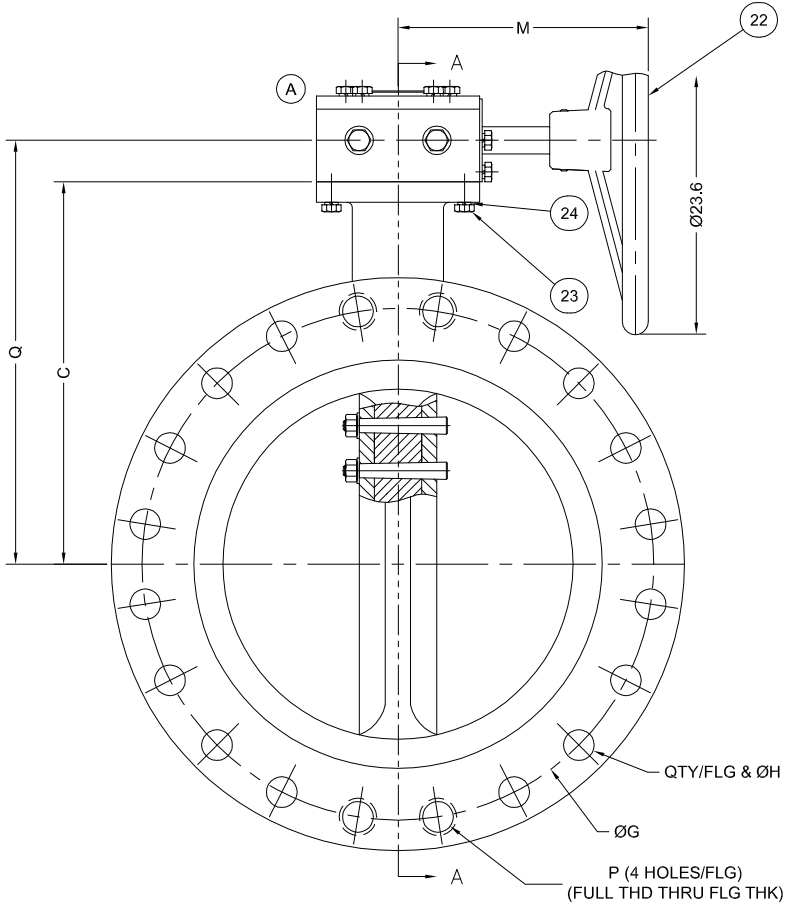


VALVE DIMENSIONS												
SIZE	A	ØB	C	Q	M	F(TYP)	L	ØG	P (4 HOLES per FLANGE)	QTY/FLANGE & ØH	MTG	APPROX. WEIGHT
16"	8.00	23.50	15.00	17.13	13.46	4.00	1.438	21.25	1-8UNC	(12) - Ø1.125	FA16	392
18"	8.00	25.00	16.50	18.63	13.46	5.00	1.563	22.75	1 1/8-7UNC	(12) - Ø1.250	FA16	474
20"	8.00	27.50	18.00	20.13	13.46	6.00	1.688	25.00	1 1/8-7UNC	(16) - Ø1.250	FA16	567
24"	8.00	32.00	22.50	24.63	13.46	8.00	1.875	29.50	1 1/4-7UNC	(16) - Ø1.375	FA16	797

PARTS LIST	
NO.	NAME
1	BODY
2	DISC
3	SEAT
4	SHAFT
5	DISC PINS
6	DISC NUTS
7	DISC WASHERS
8	DISC SEALS
9	UPPER BEARING
10	UPPER SHAFT PACKING
11	UPPER PACKING WASHER
12	RETAINER
13	KEY
14	LOWER BEARING
15	LOWER SHAFT PACKING
16	LOWER PACKING WASHER
17	GASKET
18	BOTTOM COVER
19	BOTTOM COVER SCREWS
20	ADJUSTABLE THRUST BEARING
21	BEARING NUT
22	WORM GEAR ACTUATOR
23	ACTUATOR SCREWS
24	ACTUATOR WASHERS



TECHNICAL REQUIREMENTS:

- DESIGN STANDARD, AWWA C504.
- FLANGES DRILLED PER ANSI B16.1 CLASS 125 FOR BOTH CLASS 150B AND 250B VALVES.
- DIMENSIONS IN INCHES; WEIGHT IN POUNDS, DOES NOT INCLUDE ACTUATOR
- WORKING PRESSURE 150 PSI OR 250 PSI BASED ON CLASS.
- SHAFT DIAMETER AND BODY WALL THICKNESS PER AWWA C504.

REV.	DESCRIPTION	DATE	BY
B	REVISED DIMENSIONS 'M' & 'Q' AND WEIGHTS AS REQUIRED per ACTUATOR CHANGE; REMOVE DIMENSIONS 'ØJ' & 'K' SQ; REMOVE VIEW B-B	10-21-2014	BRF
A	REPLACED TWO STAGE WG ACTUATOR w/ SINGLE STAGE/REVISE PARTS LIST	01-23-2014	BRF

DIMENSIONS IN INCHES	
STANDARD TOLERANCES UNLESS OTHERWISE NOTED	CASTING STOCK UNLESS OTHERWISE NOTED
FRACTIONS	DECIMALS
1/16" ± .005	0.0015
1/8" ± .005	0.0015
3/16" ± .005	0.0015
1/4" ± .005	0.0015
3/8" ± .005	0.0015
1/2" ± .005	0.0015
3/4" ± .005	0.0015
1" ± .005	0.0015
1 1/8" ± .005	0.0015
1 1/4" ± .005	0.0015
1 3/8" ± .005	0.0015
1 1/2" ± .005	0.0015
1 3/4" ± .005	0.0015
2" ± .005	0.0015
2 1/2" ± .005	0.0015
3" ± .005	0.0015
3 1/2" ± .005	0.0015
4" ± .005	0.0015
4 1/2" ± .005	0.0015
5" ± .005	0.0015
5 1/2" ± .005	0.0015
6" ± .005	0.0015
6 1/2" ± .005	0.0015
7" ± .005	0.0015
7 1/2" ± .005	0.0015
8" ± .005	0.0015
8 1/2" ± .005	0.0015
9" ± .005	0.0015
9 1/2" ± .005	0.0015
10" ± .005	0.0015
10 1/2" ± .005	0.0015
11" ± .005	0.0015
11 1/2" ± .005	0.0015
12" ± .005	0.0015
12 1/2" ± .005	0.0015
13" ± .005	0.0015
13 1/2" ± .005	0.0015
14" ± .005	0.0015
14 1/2" ± .005	0.0015
15" ± .005	0.0015
15 1/2" ± .005	0.0015
16" ± .005	0.0015
16 1/2" ± .005	0.0015
17" ± .005	0.0015
17 1/2" ± .005	0.0015
18" ± .005	0.0015
18 1/2" ± .005	0.0015
19" ± .005	0.0015
19 1/2" ± .005	0.0015
20" ± .005	0.0015
20 1/2" ± .005	0.0015
21" ± .005	0.0015
21 1/2" ± .005	0.0015
22" ± .005	0.0015
22 1/2" ± .005	0.0015
23" ± .005	0.0015
23 1/2" ± .005	0.0015
24" ± .005	0.0015
24 1/2" ± .005	0.0015
25" ± .005	0.0015
25 1/2" ± .005	0.0015
26" ± .005	0.0015
26 1/2" ± .005	0.0015
27" ± .005	0.0015
27 1/2" ± .005	0.0015
28" ± .005	0.0015
28 1/2" ± .005	0.0015
29" ± .005	0.0015
29 1/2" ± .005	0.0015
30" ± .005	0.0015
30 1/2" ± .005	0.0015
31" ± .005	0.0015
31 1/2" ± .005	0.0015
32" ± .005	0.0015
32 1/2" ± .005	0.0015
33" ± .005	0.0015
33 1/2" ± .005	0.0015
34" ± .005	0.0015
34 1/2" ± .005	0.0015
35" ± .005	0.0015
35 1/2" ± .005	0.0015
36" ± .005	0.0015
36 1/2" ± .005	0.0015
37" ± .005	0.0015
37 1/2" ± .005	0.0015
38" ± .005	0.0015
38 1/2" ± .005	0.0015
39" ± .005	0.0015
39 1/2" ± .005	0.0015
40" ± .005	0.0015
40 1/2" ± .005	0.0015
41" ± .005	0.0015
41 1/2" ± .005	0.0015
42" ± .005	0.0015
42 1/2" ± .005	0.0015
43" ± .005	0.0015
43 1/2" ± .005	0.0015
44" ± .005	0.0015
44 1/2" ± .005	0.0015
45" ± .005	0.0015
45 1/2" ± .005	0.0015
46" ± .005	0.0015
46 1/2" ± .005	0.0015
47" ± .005	0.0015
47 1/2" ± .005	0.0015
48" ± .005	0.0015
48 1/2" ± .005	0.0015
49" ± .005	0.0015
49 1/2" ± .005	0.0015
50" ± .005	0.0015

GA INDUSTRIES, LLC
 16" - 24" BUTTERFLY VALVE
 w/ ABOVE GROUND WORM GEAR ACTUATOR
 ANSI 125 LB FLANGES

SERIAL NO.	FIG. NUMBER	A804	DRAWN BY	HGM
			APPR. BY	JT
			SCALE	NTS
			PROPERTY OF	GA INDUSTRIES, LLC
REFERENCES	FILE	BF	DRAWING NO.	BF-1020
			REV.	B

J:\Autocad\Butterfly\BF-Show\BF-1020-B.dwg