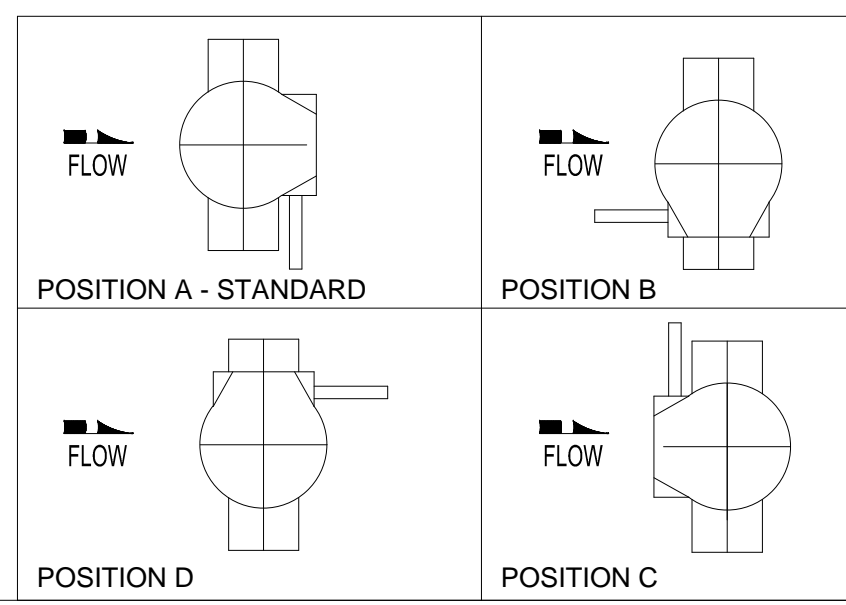


PARTS LIST	
NO.	NAME
1	BODY
2	DISC
3	SEAT
4	SHAFT
5	DISC PINS
6	DISC NUTS
7	DISC WASHERS
8	DISC SEALS
9	UPPER BEARING
10	UPPER SHAFT PACKING
11	UPPER PACKING WASHER
12	RETAINER
13	KEY
14	LOWER BEARING
15	LOWER SHAFT PACKING
16	LOWER PACKING WASHER
17	GASKET
18	BOTTOM COVER
19	BOTTOM COVER SCREWS
20	ADJUSTABLE THRUST BEARING
21	BEARING NUT
22	TRAVELING NUT ACTUATOR
23	ACTUATOR SCREWS
24	ACTUATOR WASHERS



VIEW B-B

- TECHNICAL REQUIREMENTS:**
- DESIGN STANDARD, AWWA C504.
  - FLANGE DRILLING PER ANSI/AWWA C111/A21.1 FOR BOTH CLASS 150B AND 250B VALVES.
  - DIMENSIONS IN INCHES; WEIGHT IN POUNDS, DOES NOT INCLUDE ACTUATOR.
  - WORKING PRESSURE 150 PSI OR 250 PSI BASED ON CLASS.
  - SHAFT DIAMETER AND BODY WALL THICKNESS PER AWWA C504.

SIZE	A	B	C	F (TYP.)	ØG	#-ØH	K	M	φN	MTG.	WGT.
24"	13.25	17.12	22.50	5.37	30.00	16-φ7/8	26.46	14.60	2.00	FA16	728
20"	12.50	14.62	18.00	3.75	25.50	14-φ7/8	22.00	13.94	2.00	FA16	565
18"	12.25	13.00	16.50	2.87	23.25	12-φ7/8	20.48	13.94	2.00	FA16	483
16"	12	12.31	15.00	2.00	21.00	12-φ7/8	18.98	13.94	2.00	FA16	415
14"	11.50	10.56	14.00	1.25	18.75	10-φ7/8	16.91	9.50	2.00	FA12	300
12"	9.25	9.50	12.31	1.37	16.25	8-Ø7/8	15.21	9.50	2.00	FA12	211
10"	9.25	8.06	10.75	.375	14.00	8-Ø7/8	13.65	9.50	2.00	FA12	176
8"	8.50	6.75	9.50	---	11.75	6-Ø7/8	12.19	8.39	2.00	FA12	129
6"	8.50	5.88	8.00	---	9.50	6-Ø7/8	10.65	8.39	2.00	FA12	106
4"	8.50	4.50	7.00	---	7.50	4-φ7/8	9.67	8.39	2.00	FA07	91
3"	8.50	3.75	6.25	---	6.19	4-Ø3/4	8.92	8.39	2.00	FA07	67

STANDARD TOLERANCES (UNLESS OTHERWISE NOTED)  
 FINISHED SURFACES ONLY  
 DIMENSIONS SHOWN IN INCHES  
 X = ±.1  
 XX = ±.01  
 XXX = ±.005  
 FRACTIONS ±1/64"  
 ANGLES ±1°  
 FINISH 1/2<-XX RMS

**GA INDUSTRIES, LLC.**  
 3"-24" MECHANICAL JOINT BUTTERFLY VALVE  
 W/BURIED SERVICE TRAVELING NUT ACTUATOR  
 AWWA C504 CLASS 150B/250B

<b>SERIAL NO.</b>	<b>SCALE</b>	<b>DRAWN BY</b>	<b>HGM</b>
	N.T.S.	<b>APPR. BY</b>	<b>JT</b>
<b>REFERENCES</b>	<b>EFFECTIVE DATE</b>	<b>10-02-2009</b>	<b>TO</b>
	<b>FIG. NUMBER</b>	<b>FILE</b>	<b>DRAWING NO.</b>
	804	BF	BF-1019
			<b>REV. B</b>

REV.	DESCRIPTION	DATE	BY
B	REVISED WEIGHTS	05-02-2018	SWR
A	REVISED PARTS LIST	06-23-2014	BRF

O:\BUTTERFLYBF-SHOW\BF-1019-B.DWG