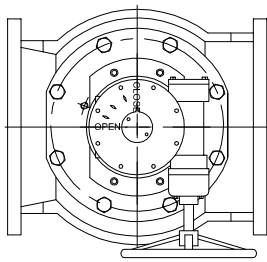
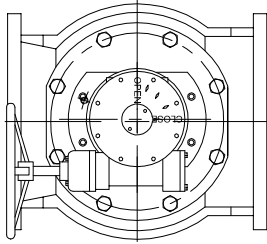


SEAT END



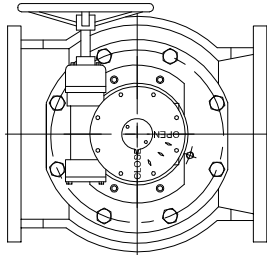
POSITION A - STANDARD

SEAT END



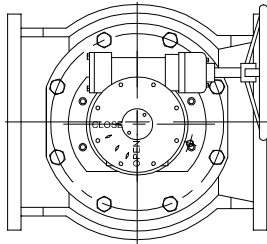
POSITION B

SEAT END



POSITION C

SEAT END



POSITION D

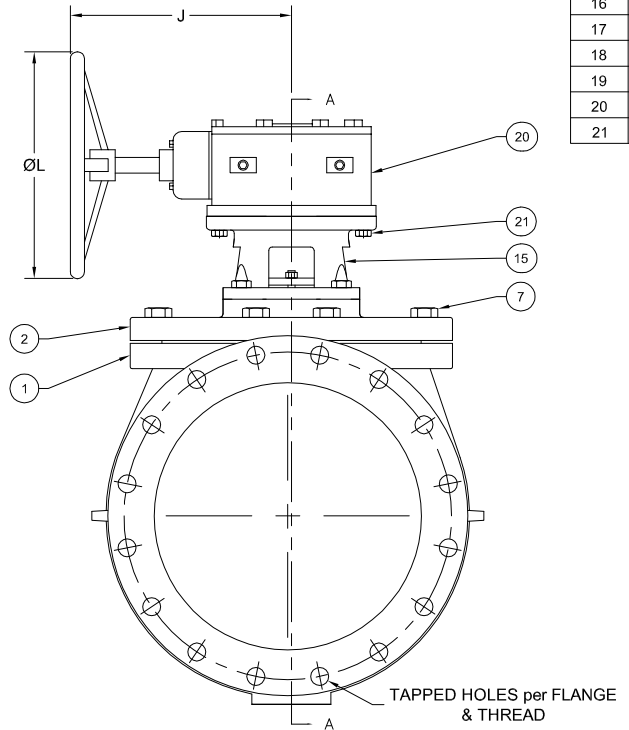
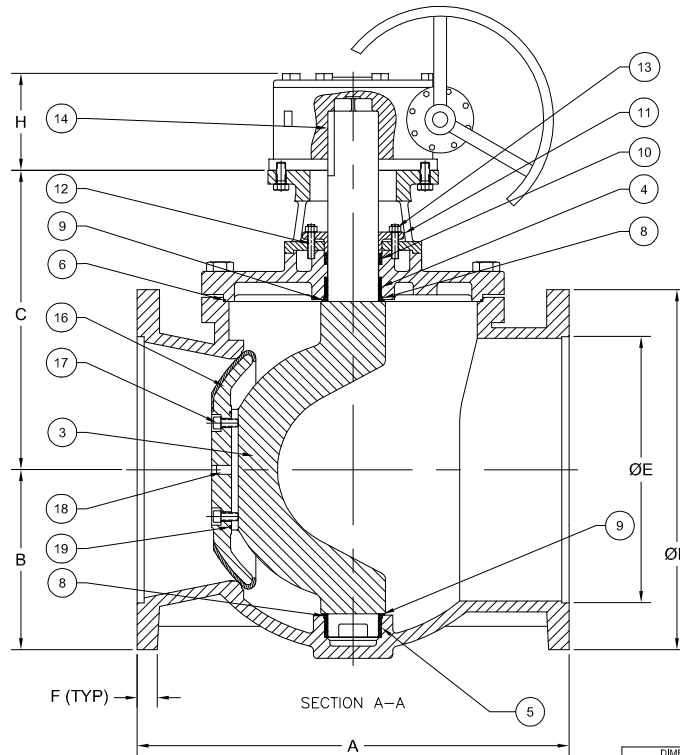
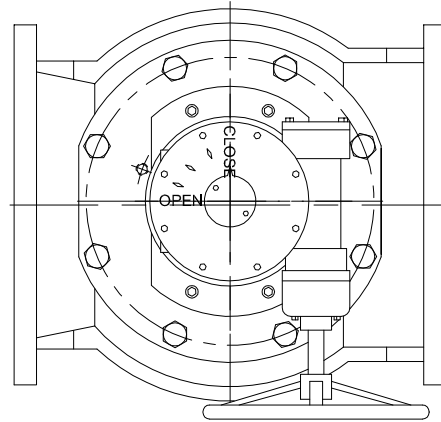
OPTIONAL ACTUATOR POSITIONS
CUSTOMER TO SPECIFY POSITION WITH ORDER
POSITION "A" SHOWN IN MAIN VIEW
POSITION "A" IS STANDARD

DIMENSIONS

Valve Size	A		B		C		ØD		ØE		F		H		J		ØL		TAPPED HOLES per FLANGE & THREAD			APPROX. WEIGHT	
	IN	MM	IN	MM	IN	MM	IN	MM	IN	MM	IN	MM	IN	MM	IN	MM	IN	MM	IN			LB	KG
	14"	17.00	432	10.88	276	19.05	592	21.00	533	13.97	355	1.38	35	6.50	164	19.69	500	19.69	500	4x 1-8UNC			757
16"	17.75	451	13.00	330	20.85	638	23.50	597	16.13	410	1.44	37	6.50	164	19.69	500	19.69	500	4x 1-8UNC			952	433
18"	30.00	762	13.13	334	20.85	638	25.00	635	18.00	457	1.56	40	6.50	164	19.69	500	19.69	500	0			1254	570
20"	36.00	914	15.75	400	22.75	686	27.50	699	20.06	510	1.69	43	6.50	164	19.69	500	19.69	500	4x 1 1/8-7UNC			2004	911
24"	42.00	1067	15.75	400	22.75	686	32.00	813	24.22	615	1.88	48	6.50	164	19.69	500	19.69	500	0			2202	1001

NOTES:

1. FLANGE DRILLING PER ANSI B16.1 / CL125
2. IN COMPLIANCE WITH AWWA C517
3. COLD WORKING PRESSURE: 150 PSI
4. HYDROSTATIC TEST PRESSURE: 225 PSI



PARTS LIST

NO.	Description
1	Body
2	Cover
3	Shaft
4	Cover Bearing
5	Body Bearing
6	Cover O-Ring
7	Cover Bolts
8	Grit Excluder Seal
9	Thrust Washer
10	Packing
11	Gland
12	Gland Studs
13	Gland Nuts
14	Key
15	Mounting Bracket
16	Plug
17	Plug Screws
18	Plug Pin
19	Plug O-Ring
20	Worm Gear Actuator
21	Actuator Bolts

REV.	DESCRIPTION	DATE	BY
A	RE-ORIENT SIDE VIEW	10-10-2014	BRF

STANDARDS FOLLOWED:
ANSI B16.1 (FLANGES)
ASME B16.5 (FITTINGS)
ASME B16.47 (FLANGES)
ASME B16.9 (FLANGES)
ANSI B16.34 (VALVES)
ASME B16.36 (VALVES)
ASME B16.38 (VALVES)

GA INDUSTRIES, LLC

14" - 24" ECOCENTRIC PLUG VALVE w/ ADJUSTABLE PACKING & WORM GEAR ACTUATOR w/ HANDWHEEL
ANSI 125 LB FLANGES

SERIAL NO.	B517	DRAWN BY	BRF
FIG. NUMBER	B517	APPR. BY	JT
DATE	09-11-2014	SCALE	NTS
REFERENCES	FILE	DRAWING NO.	REV.
PL-1005 / PL-2001	PL	PL-2010	A