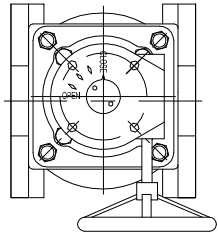
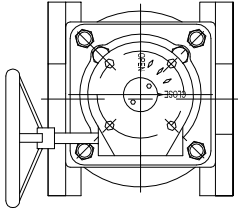


SEAT END



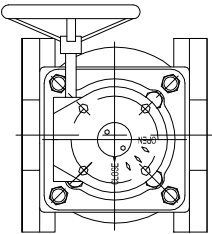
POSITION A - STANDARD

SEAT END



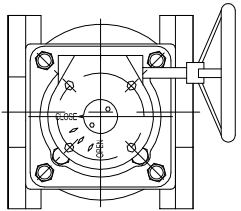
POSITION B

SEAT END



POSITION C

SEAT END

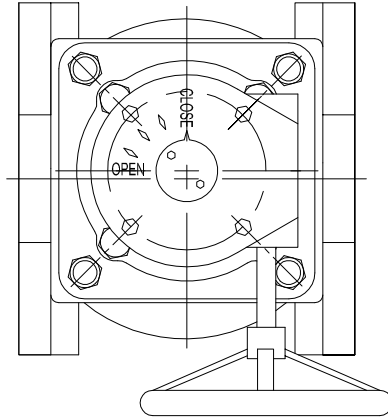


POSITION D

OPTIONAL ACTUATOR POSITIONS
CUSTOMER TO SPECIFY POSITION WITH ORDER
POSITION "A" SHOWN IN MAIN VIEW
POSITION "A" IS STANDARD

Valve Size	DIMENSIONS																		TAPPED HOLES per FLANGE & THREAD		APPROX. WEIGHT	
	A		B		C		ØD		ØE		F		H		J		ØL		IN	LB	KG	
	IN	MM	IN	MM	IN	MM	IN	MM	IN	MM	IN	MM	IN	MM	IN	MM	IN	MM				
3"	8.00	203	4.56	116	8.75	222	7.50	191	3.19	81	0.75	19	3.00	76	9.13	232	8.90	226	--	73	33.2	
4"	9.00	229	5.94	151	10.00	254	9.00	229	4.25	108	0.94	24	3.50	89	9.13	232	11.81	300	2x 5/8-11UNC	115	52.3	
6"	10.50	267	6.75	171	10.85	276	11.00	279	6.25	159	1.00	25	3.50	89	9.13	232	11.81	300	2x 3/4-10UNC	155	70.5	
8"	11.50	292	9.38	238	13.97	355	13.50	343	8.25	210	1.12	28	4.84	123	10.50	267	11.81	300	4x 3/4-10UNC	304	138.2	
10"	13.00	330	10.50	267	15.88	403	16.00	406	10.25	260	1.19	30	4.84	123	10.50	267	11.81	300	4x 7/8-9UNC	394	179.1	
12"	14.00	356	11.06	281	17.34	440	19.00	483	12.20	310	1.25	32	4.84	123	10.50	267	11.81	300	6x 7/8-9UNC	487	221.4	

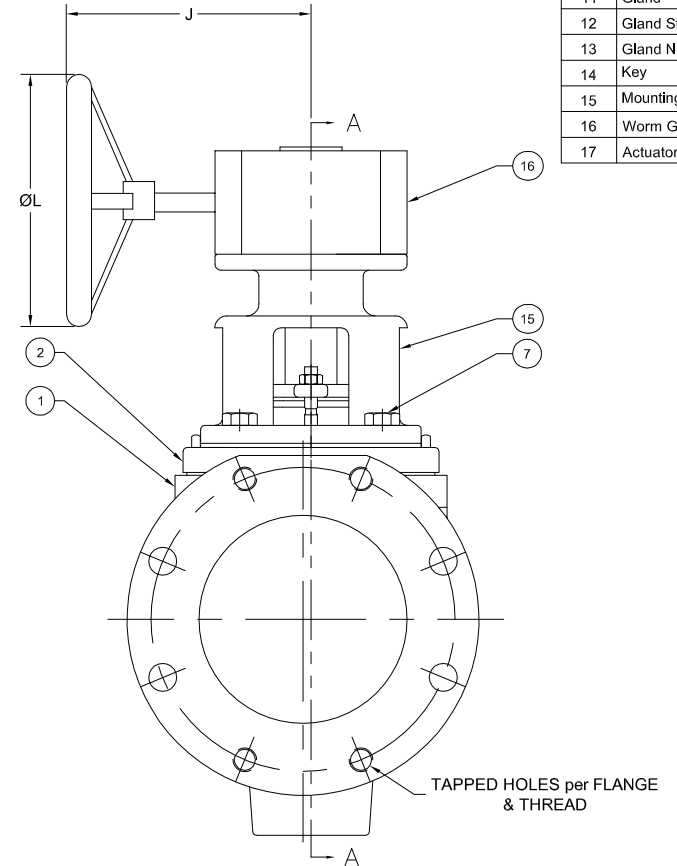
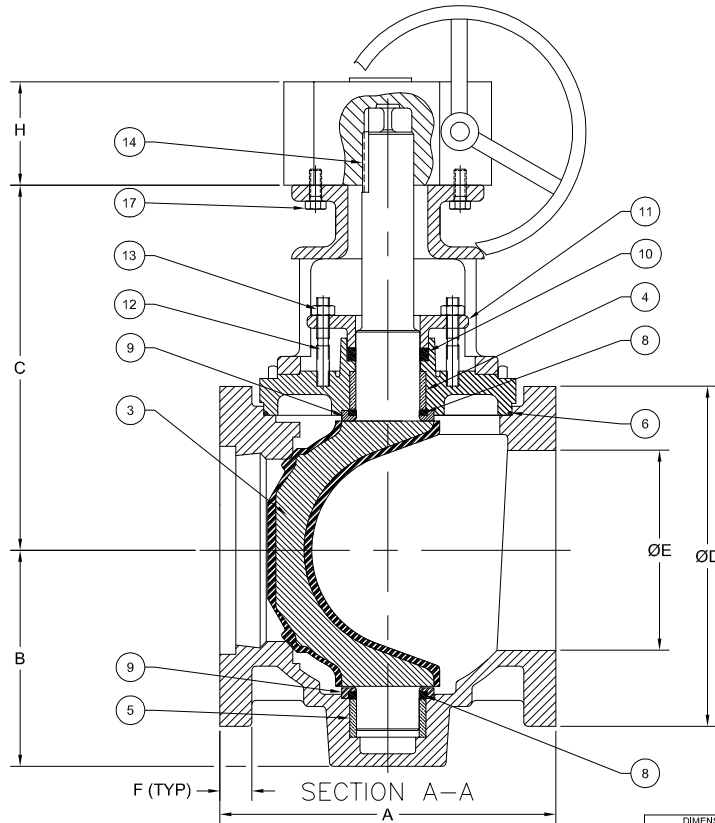
SEAT END



NOTES:

1. FLANGE DRILLING PER ANSI B16.1 / CL125
2. IN COMPLIANCE WITH AWWA C517
3. COLD WORKING PRESSURE: 175 PSI
4. HYDROSTATIC TEST PRESSURE: 265 PSI

PARTS LIST	
NO.	Description
1	Body
2	Cover
3	Plug
4	Cover Bearing
5	Body Bearing
6	Cover O-Ring
7	Cover Bolts
8	Grit Excluder Seal
9	Thrust Bearing
10	Packing
11	Gland
12	Gland Studs
13	Gland Nuts
14	Key
15	Mounting Bracket
16	Worm Gear Actuator
17	Actuator Bolts



REV.	DESCRIPTION	DATE	BY
B	12" - 6 TAPPED HOLES (WAS 4)	10-12-2015	BRF
A	REVISED SIDE VIEW	10-10-2014	BRF

DIMENSIONS IN INCHES
STANDARD TOLERANCES:
DIMENSIONS UNLESS OTHERWISE SPECIFIED:
X = ±.1
XX = ±.01
XXX = ±.005
FRAC TIONS = ±.004
ANGLES = ±.01
DRAFTER'S MAX
PERMITTED TOLERANCES - 1:10 FLANGES, HOLES AND SURFACES

GA INDUSTRIES, LLC
3" - 12" ECOCENTRIC PLUG VALVE w/ ADJUSTABLE PACKING & WORM GEAR ACTUATOR w/ HANDWHEEL
ANSI 125 LB FLANGES

SERIAL NO.	FIG. NUMBER	DATE	PROPERTY OF	REFERENCES	FILE	DRAWING NO.	REV.
	B517	09-08-2014	GA INDUSTRIES, LLC	PL-1000 / PL-2000	PL	PL-2009	B