

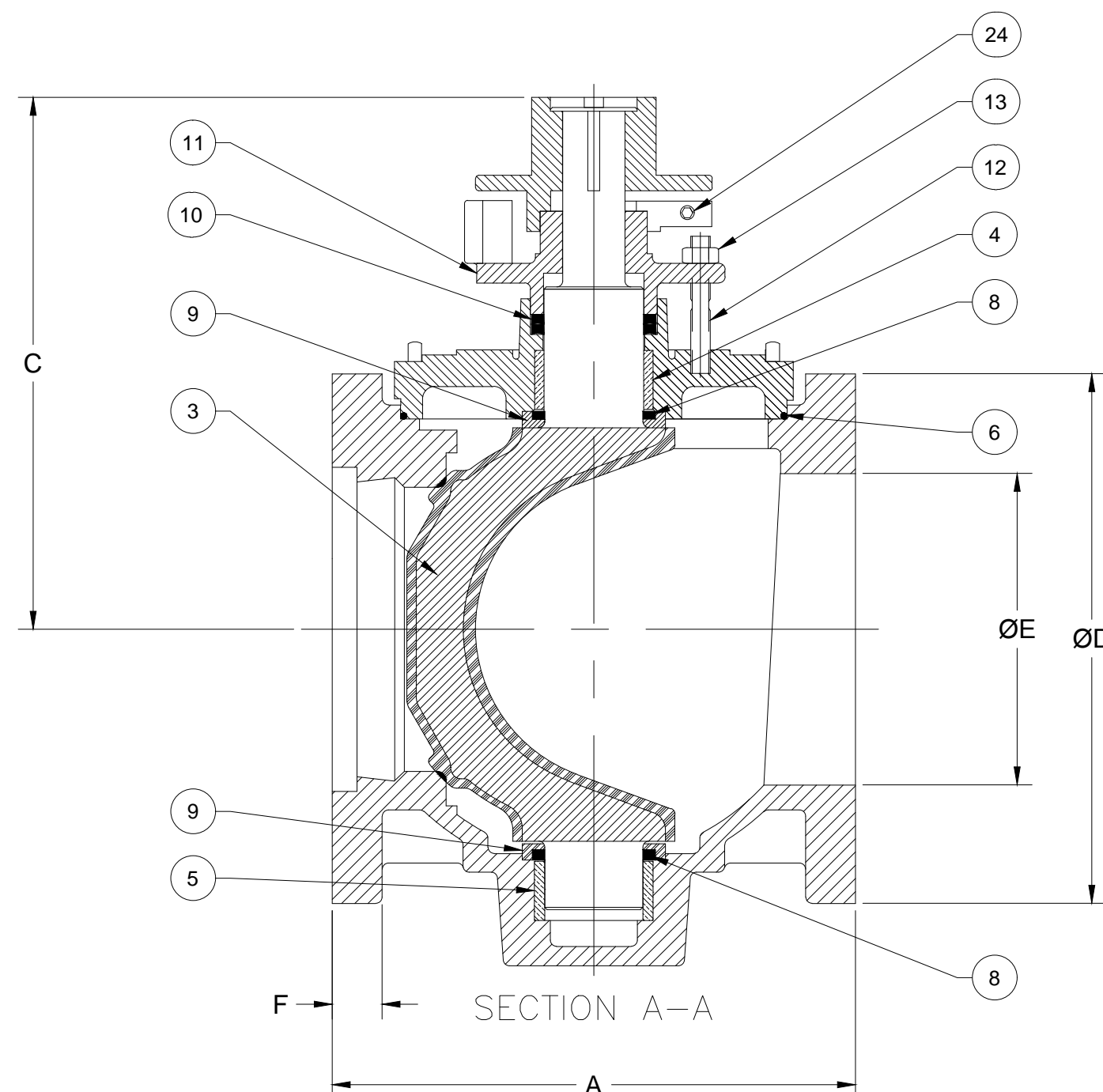
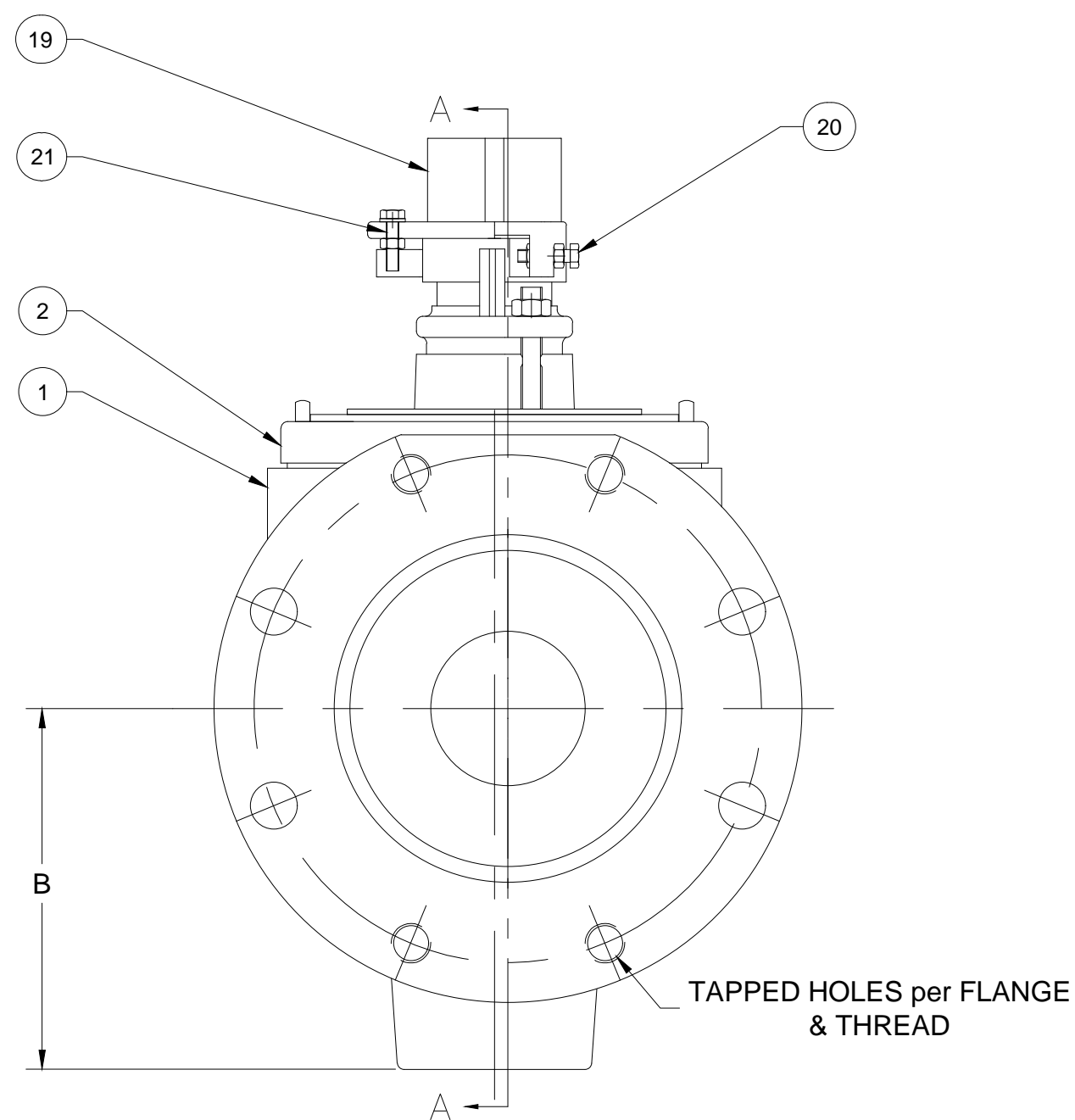
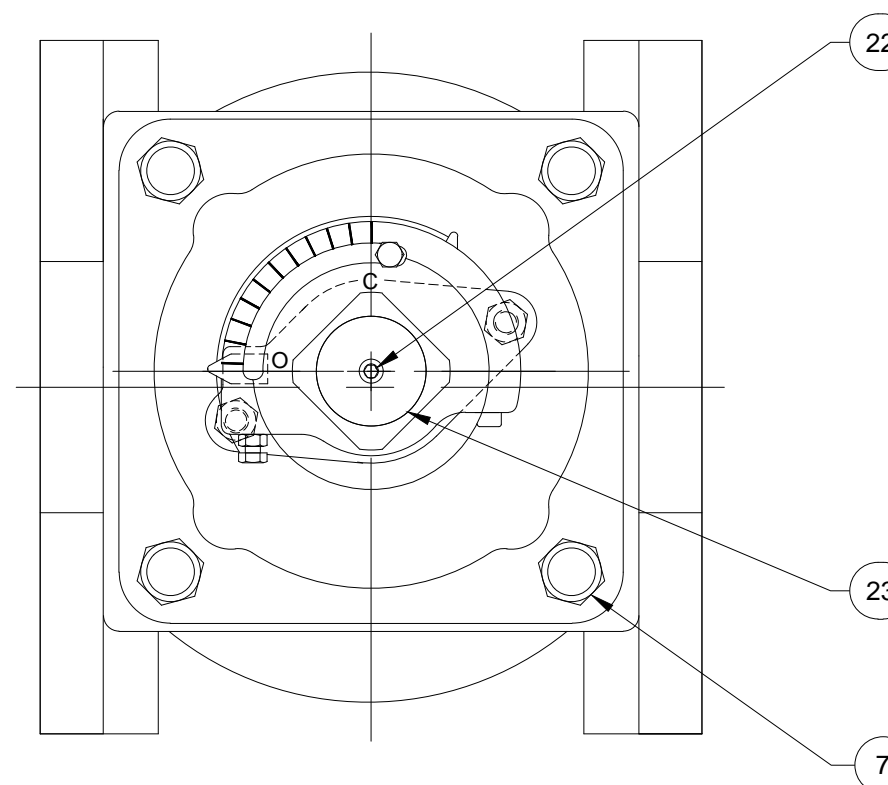
Valve Size	DIMENSIONS														
	A		B		C		ØD		ØE		F		TAPPED HOLES/FLANGE & THREAD	APPROX. WEIGHT	
	IN	MM	IN	MM	IN	MM	IN	MM	IN	MM	IN	MM	IN	LB	KG
3"	8.00	203	4.56	116	8.88	226	7.50	191	3.19	81	0.75	19	--	46	21
4"	9.00	229	5.94	151	9.94	253	9.00	229	4.25	108	0.94	24	2x 5/8-11UNC	83	38
6"	10.50	267	6.75	171	10.69	271	11.00	279	6.25	159	1.00	25	2x 3/4-10UNC	125	57
8"	11.50	292	9.38	238	14.00	356	13.50	343	8.25	210	1.12	28	4x 3/4-10UNC	229	104

PARTS LIST	
NO.	Description
1	Body
2	Cover
3	Plug
4	Cover Bearing
5	Body Bearing
6	Cover O-Ring
7	Cover Bolts
8	Grit Excluder Seal
9	Thrust Bearing
10	Packing
11	Gland
12	Gland Studs
13	Gland Nuts
14	Key
19	Torque Collar
20	Closing Limit Screw
21	Opening Limit Screw
22	Collar Screw
23	Collar Washer
24	Torque Adjuster

NOTES:

1. FLANGE DRILLING PER ANSI B16.1 / CL125
2. IN COMPLIANCE WITH AWWA C517
3. COLD WORKING PRESSURE: 175 PSI
4. HYDROSTATIC TEST PRESSURE: 265 PSI

SEAT END



GA INDUSTRIES, LLC
 3" - 8" ECO-CENTRIC PLUG VALVE w/ ADJUSTABLE PACKING & WRENCH OPERATED TORQUE COLLAR (WOTC)
 ANSI 125 LB FLANGES

DIMENSIONS IN INCHES
 STANDARD TOLERANCES (UNLESS OTHERWISE NOTED)
 X = ±.1
 XX = ±.01
 XXX = ±.005
 FRACTIONS = ±.154
 ANGLES = ±1°
 DRAFTS: 3° MAX
 PER ANSI Y14.5M GD&T-3/32 FLATNESS, ROUNDNESS, POSITION

CASTING STOCK MINIMUM (SMALLEST DIM. TO SURFACE)
 0 TO <1 = ±.08
 1 TO <6 = ±.16
 6 TO <12 = ±.14
 12 AND > = ±.38

SERIAL NO.	FIG. NUMBER	B517	DRAWN BY	BRF	
DATE	01-17-2014	APPR. BY	JT	SCALE	NTS
PROPERTY OF GA INDUSTRIES, LLC					
REFERENCES	FILE	DRAWING NO.	REV.		
	PL	PL-2002	A		

REV.	DESCRIPTION	DATE	BY
A	REVISED VIEWS	11-17-2014	BRF

J:\Autocad\Plug\PL-Show\PL-2002-A.dwg