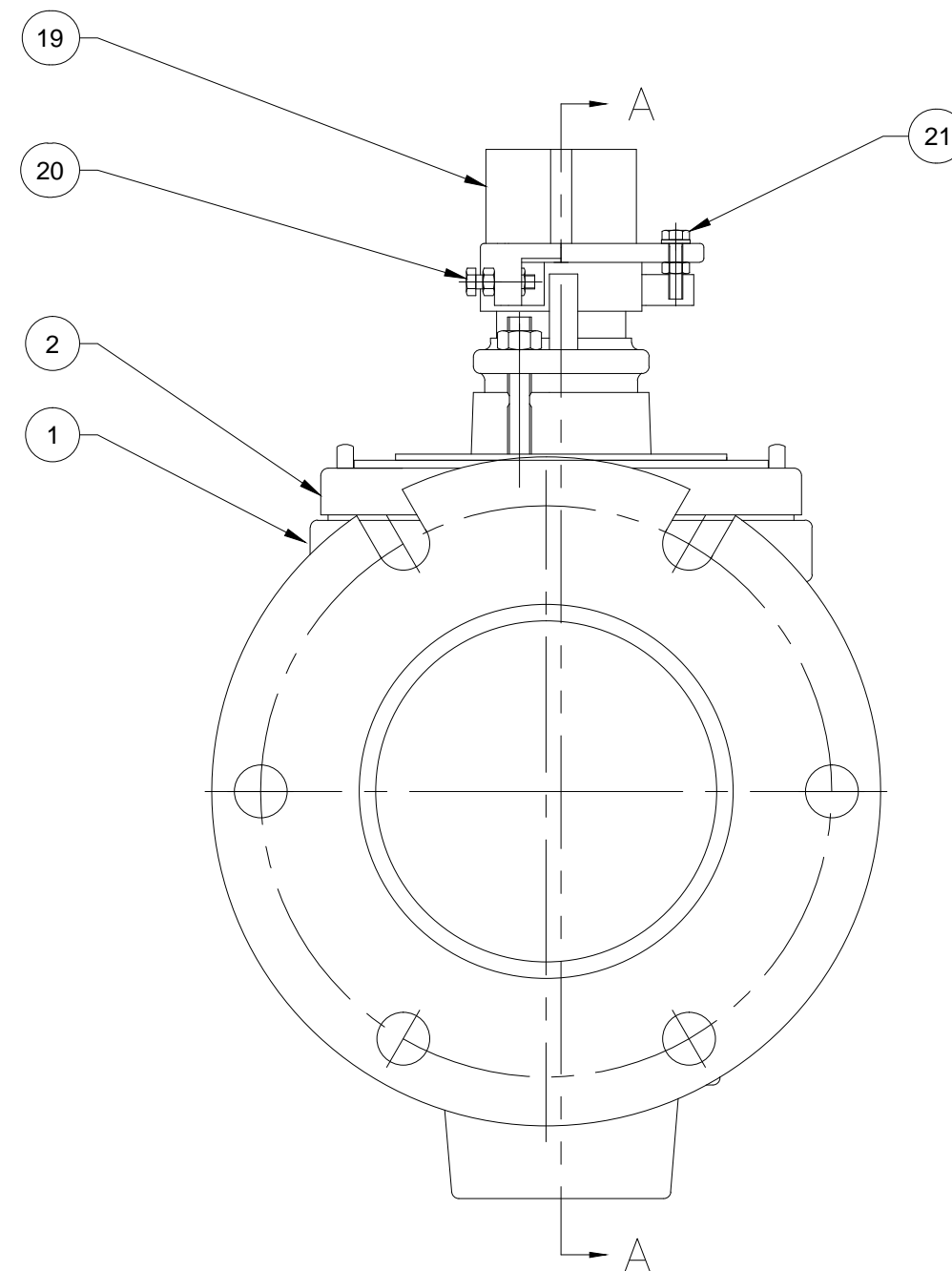
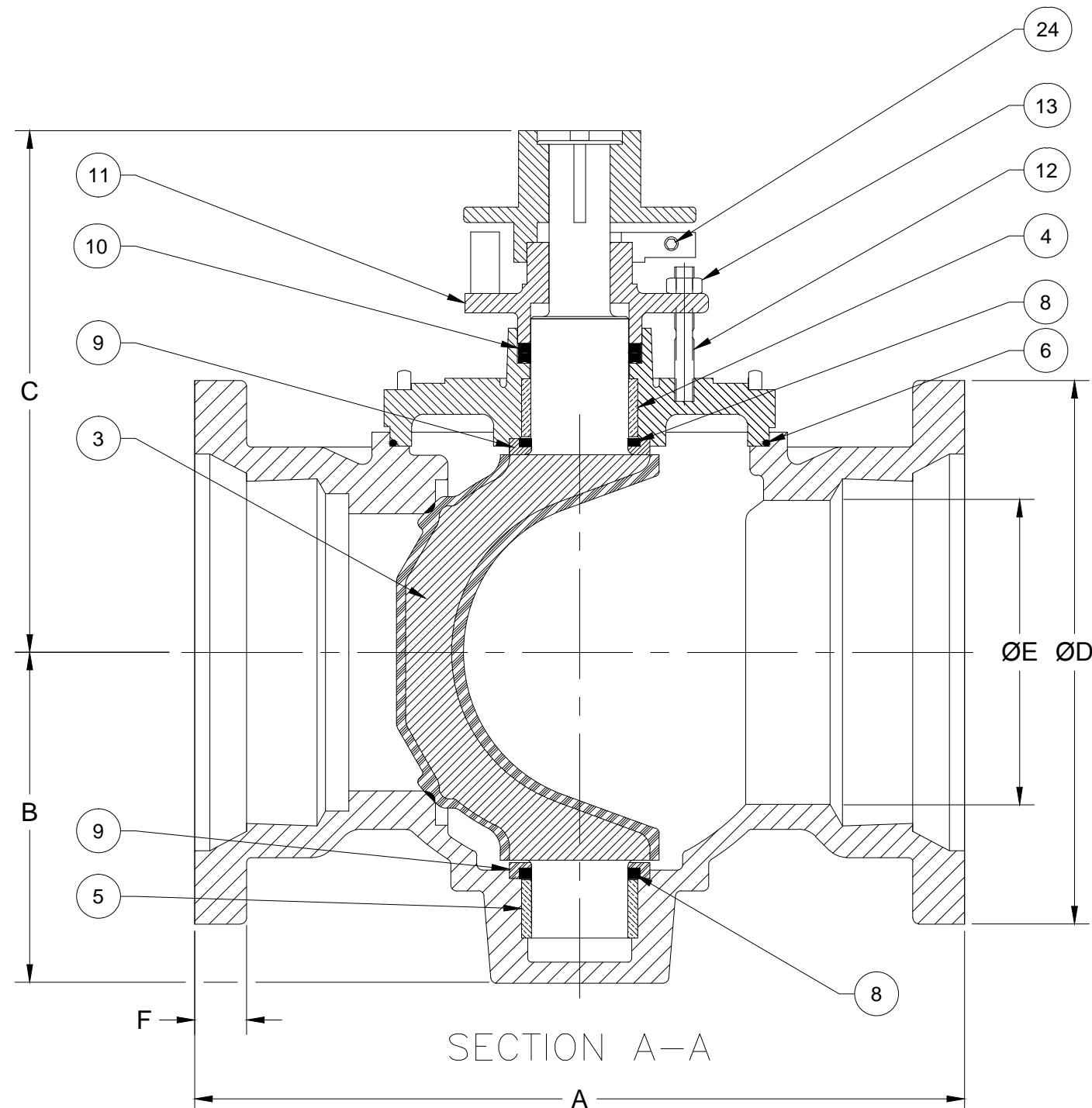
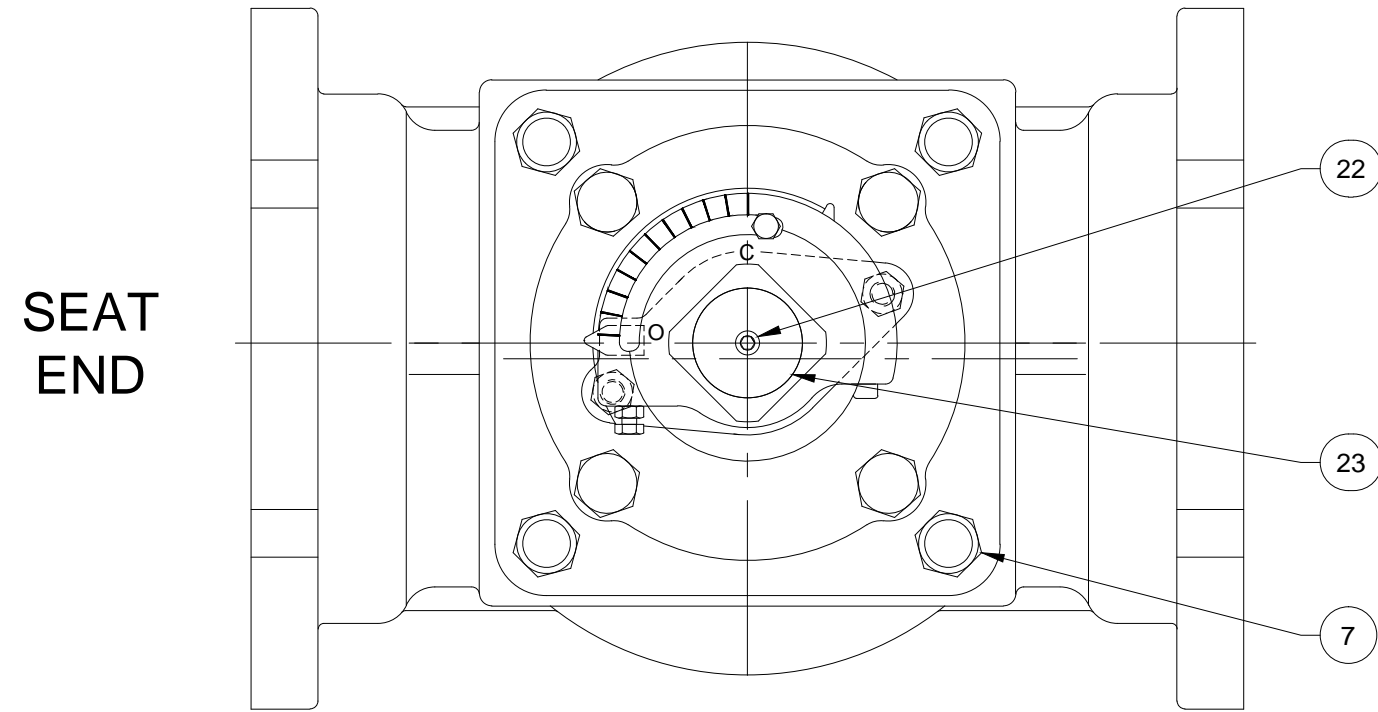


Valve Size	DIMENSIONS													
	A		B		C		ØD		ØE		F		APPROX. WEIGHT	
	IN	MM	IN	MM	IN	MM	IN	MM	IN	MM	IN	MM	LB	KG
3"	11.50	292	4.56	116	8.88	226	7.69	195	3.19	81	.94	24	56	25
4"	14.25	362	5.94	151	9.94	253	9.12	232	4.25	108	1.00	25	90	41
6"	15.75	400	6.75	171	10.69	271	11.12	282	6.25	159	1.06	27	136	62
8"	17.36	441	9.38	238	14.00	356	13.37	340	8.25	210	1.12	28	247	112

PARTS LIST	
NO.	Description
1	Body
2	Cover
3	Plug
4	Cover Bearing
5	Body Bearing
6	Cover O-Ring
7	Cover Bolts
8	Grit Excluder Seal
9	Thrust Bearing
10	Packing
11	Gland
12	Gland Studs
13	Gland Nuts
14	Key
19	Torque Collar
20	Opening Limit Screw
21	Closing Limit Screw
22	Collar Screw
23	Collar Washer
24	Torque Adjuster

NOTES:
 1. FLANGE DRILLING PER ANSI A21.1 AWWA C111
 2. IN COMPLIANCE WITH AWWA C517
 3. COLD WORKING PRESSURE: 175 PSI
 4. HYDROSTATIC TEST PRESSURE: 265 PSI



REV.	DESCRIPTION	DATE	BY
A	ADDED PARTS 22, 23, & 24	02-26-2015	BRF

GA INDUSTRIES, LLC
 3" - 8" ECOCENTRIC PLUG VALVE w/ ADJUSTABLE PACKING & WRENCH OPERATED TORQUE COLLAR (WOTC) MECHANICAL JOINT FLANGES

DIMENSIONS IN INCHES
 STANDARD TOLERANCES (UNLESS OTHERWISE NOTED):
 X = ±.1
 XX = ±.01
 XXX = ±.005
 FRACTIONS = ±.1/64
 ANGLES = ±1°
 DRAFTS: 3° MAX
 PER ANSI Y14.5M GD&T-3/32 FLATNESS, ROUNDNESS, POSITION

CASTING STOCK MINIMUM (SMALLEST DIM. TO SURFACE):
 0 TO <1 = 1/8
 1 TO <6 = 3/16
 6 TO <12 = 1/4
 12 AND > = 3/8

SERIAL NO.	FIG. NUMBER	DATE	PROPERTY OF	REFERENCES	FILE	DRAWING NO.	REV.	DRAWN BY	APPR. BY	SCALE
	B517	10-16-2014	GA INDUSTRIES, LLC	PL	PL	PL-2013	A	BRF	JT	NTS

J:\Autocad\Plug\PL-Show\PL-2013-A.dwg