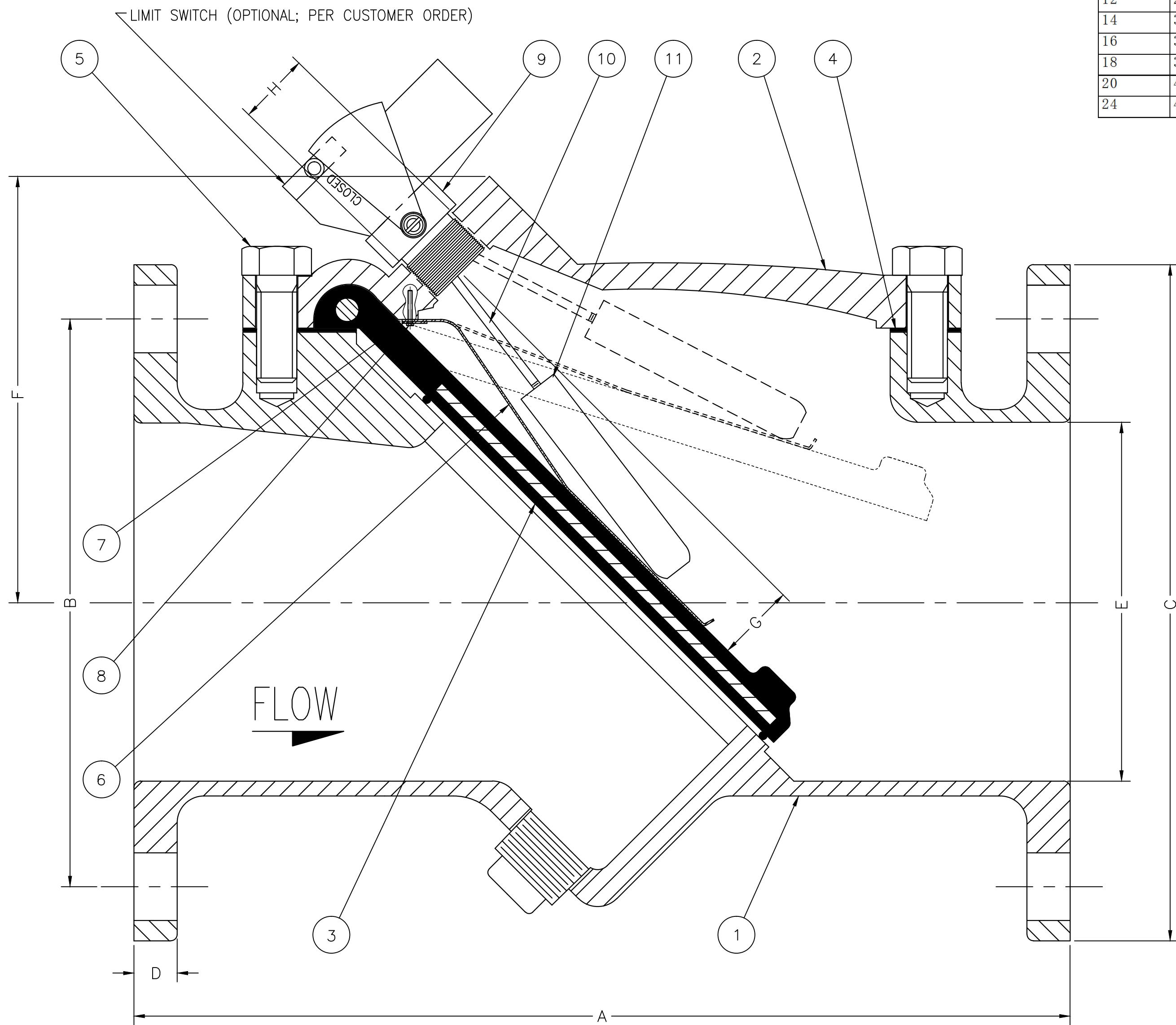


SIZE	A	B	C	D	E	F	BOLT SIZE	NO. OF BOLTS	G	H
4	11 1/2	7 1/2	9	15/16	4	5 3/4	5/8	8	1 1/2 ALL SIZES	1 ALL SIZES
6	15	9 1/2	11	1	6	6 7/8	3/4	8		
8	19 1/2	11 3/4	13 1/2	1 1/8	8	8 3/8	3/4	8		
10	24 1/2	14 1/4	16	1 3/16	10	10 3/4	7/8	12		
12	27 1/2	17	19	1 1/4	12	12 1/2	7/8	12		
14	31	18 3/4	21	1 3/8	14	13	1	12		
16	32	21 1/4	23 1/2	1 7/16	16	14 1/4	1	16		
18	36	22 3/4	25	1 9/16	18	15 1/4	1 1/8	16		
20	40	25	27 1/2	1 11/16	20	16 7/8	1 1/8	20		
24	48	28 1/2	32	1 7/8	24	19 1/4	1 1/4	20		



BILL OF MATERIALS			
No.	DESCRIPTION	QTY.	MATERIAL
1	BODY	1	DUCTILE IRON
2	COVER	1	DUCTILE IRON
3	DISC	1	RUBBER COATED STL
4	GASKET	1	NBR
5	COVER BOLTS	VARIES PER VALVE SIZE	SST
6	SPRING ASSIST	1	SST
7	SPRING ASSIST SUPPORT PLATE	1	SST
8	SPRING ASSIST SCREWS	2	SST
9	POSITION INDICATOR ASSEMBLY (INCLUDES L.S. IF REQ.'D)	1	SST & BRASS
10	COUNTERWEIGHT ARM	1	SST
11	COUNTERWEIGHT	1	SST

REV.	DESCRIPTION	DATE	BY
C	NOTED LIMIT SWITCH AS OPTIONAL COMPONENT	03-29-2011	SWR
B	ADDED 4" SIZE BACK TO TABLE	10-18-2010	SWR
A	ELIMINATED SIZES 2"-4" FROM TABLE	05-13-2010	SWR

**GA INDUSTRIES, LLC**

4"-24" SPRING ASSISTED RUBBER FLAPPER SWING CHECK VALVE  
W/COUNTERWEIGHTED POSITION INDICATOR AND LIMIT SWITCH (OPTIONAL)  
125# ANSI FLANGES

STANDARD TOLERANCES (UNLESS OTHERWISE NOTED) FINISHED SURFACES ONLY DIMENSIONS SHOWN IN INCHES .x = ±.02 .xx = ±.01 .xxx = ±.002 FRACTIONS ±1/64" ANGLES ±1° FINISH ⌀- XX RMS	<b>SERIAL NO.</b>	<b>SCALE</b> NONE	<b>DRAWN BY</b> SWR	
	<b>REFERENCES</b>	<b>EFFECTIVE DATE</b> 05-27-2009 TO	<b>APPR. BY</b> JT	
	<b>FIG. NUMBER</b> SB200-DPI	<b>FILE</b> C	<b>DRAWING NO.</b> C-1392	<b>REV.</b> C

J:\AUTOCAD\GA-VALVE\GA-SHOW\C-1392-C.DWG

AVAILABLE IN SIZES 1 AND 3