

Figures 250-D, 250-U 42" & 48" Cushioned Swing Check Valves

Description

These large size GA Industries Figures 250-D and 250-U heavy duty, customizable swing check valves utilize an adjustable counterweight for quick closure combined with a hydraulic dashpot to cushion the valve's rapid closure. The highly engineered hydraulic dashpot provides non-slam operation under all operating conditions.

Typically installed on the discharge of a pump to prevent backflow when the pump is offline, it opens smoothly at pump start and closes quickly and quietly upon pump shutdown. These check valves are ideal for VFD pumping.

Especially designed to withstand the rigors of pump station operation, the Figures 250-D and 250-U meet the design, materials of construction and testing required by AWWA C508 and are suitable for use with water or sewage.

Product Features

- Unique design allows disc articulation for tight sealing under all pressure conditions.
- Durable and replaceable rubber seat for tight sealing
- Opens to full flow area when swung only 25° away from seat for low head loss and reduced pumping cost
- Bolted cover allows access to all internal components
- Lever & weight and hydraulic cushion convertible from right hand to left hand side and from horizontal to vertical installation

Standard Materials

- Body & Disc Cast Iron, ASTM A126 Class B
- Cover Steel, ASTM A36
- Body Seat Stainless Steel, Type 316
- Disc Seat Buna-N
- Hinge Shaft Stainless Steel, Type 303
- Hydraulic Cushion Commercial
- External Fasteners Steel, A307, Zinc Plated
- Coating Internal and external NSF-61/600 certified 2-part epoxy

Non-Shock Working Water Pressure at up to 150F (66C)		
Figure No.	250-D	250-U
Flange	ANSI B16.1 Class 125	ANSI B16.1 Class 250
Size	42" & 48"	42" & 48"
Max Working Pressure	150 PSI	300 PSI
Shell Test	300 PSI	450 PSI

See Data Sheets 250.01 and 250.02 for smaller sizes



42" Figure 250-D with Option 1D Limit Switch

Approvals & Certifications

- NSF-61 Certified for Contact with Drinking Water
- NSF-372 Certified Lead Free (Max 0.25% Lead Content by Weighted Average)
- AIS and BABA Compliant

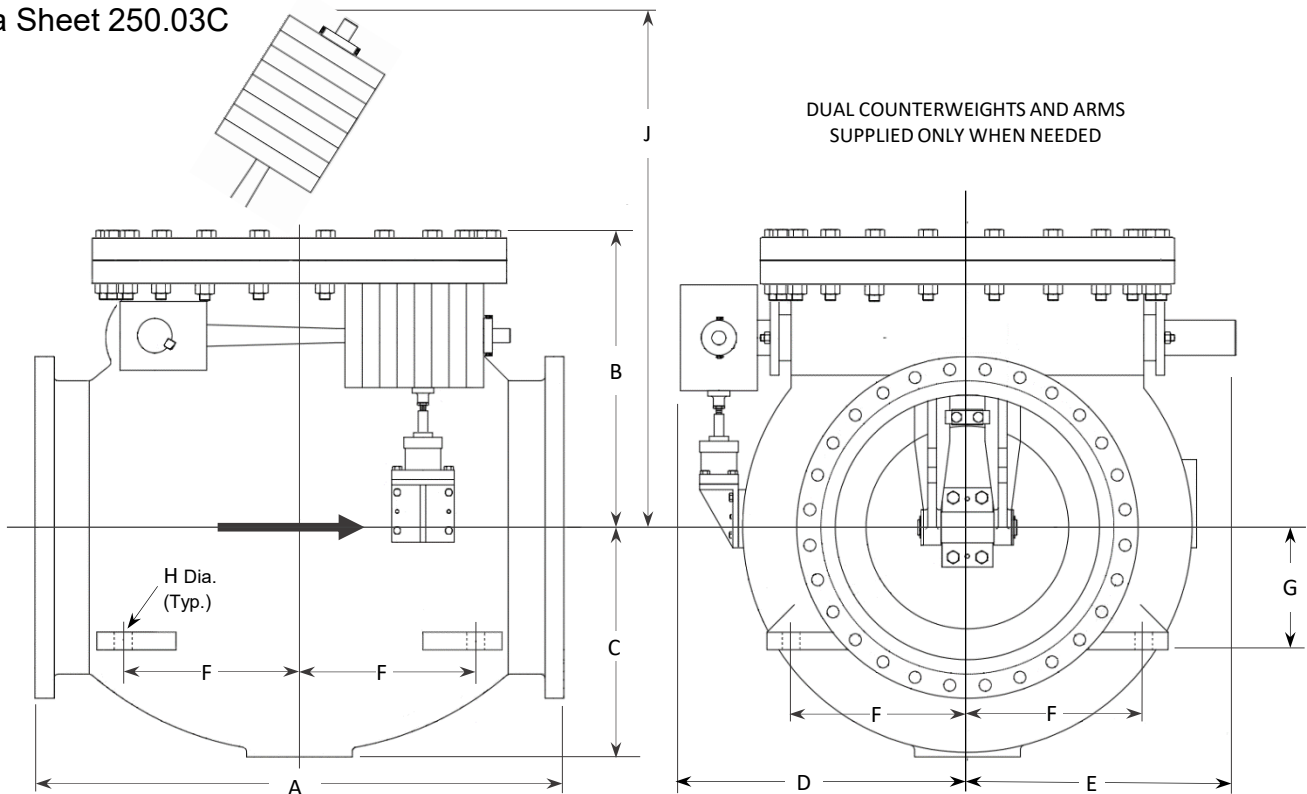
Options

- Option 1D With Honeywell HDLS NEMA 1, 3, 4, 4X, 6, 6P, 12 & 13 DPDT Limit Switch
- Option LH With Lever & Weight and Cushion Chamber Factory Installed on Left Side Facing Inlet
- Option P3 With 316 SS Hinge Shaft, Disc Center Pin, Lock Nut and Washer, Shaft End Plate and External Fasteners
- Option S3 With Type 316 Stainless Steel Hinge Shaft (Included in Option P3)
- Option SE With 316 Stainless Steel External Fasteners (Included in Option P3)
- Option VI Configured for Vertical Flow Up Installation

Ordering Data

- Figure Number (250-D or 250-U)
- Size
- Options and/or Accessories

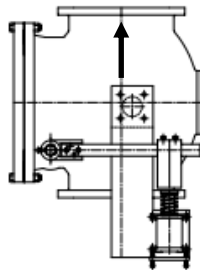
Data Sheet 250.03C



Installation Dimensions

SIZE	42"	48"
A	70	76
B	40	46
C	33	36
D	46	50
E	33	41
F	17¼	26
G	24¾	24
H	2	2
J	60	68
WGT	14,800	18,500

Vertical Installation



- Dimension J is valve fully-open.
- Face to face same for both Class 125 and Class 250 flanged valves, Class 250 supplied with flat face.
- Dimensions in inches, weight in pounds and are approximate. Request certified drawings if critical.

Full Open Head Loss

