

# “Ludlow” Figure 340-S 14” – 24” Lever & Spring Swing Check Valve

## Description

GA Industries Figure 340-S “Ludlow” swing check valve fully conforms with AWWA Standard C508 with an adjustable spring assisted closure to minimize slam and hammer. The valve is typically installed in the discharge of a pump to prevent backflow when the pump is off-line, it opens smoothly at pump start and closes quickly and quietly upon pump shutdown.

The Figure 340-S meets the design, materials of construction, testing and face to face dimension required by AWWA C508 and is suitable for use with water or sewage.

## Product Features

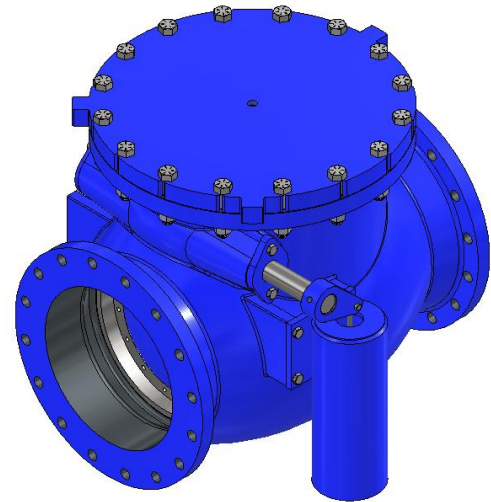
- Class 125 flanged 250 PSI rated epoxy coated ductile iron construction
- Tough and corrosion resistant 316SS body seat
- Buna-N rubber faced ductile iron disc for tight seating at low and high pressure
- Bolted cover with stainless steel cover fasteners facilitates maintenance
- Compression spring enclosed in chamber, eliminates pinch points

## Standard Materials

- Body, cover & disc Ductile Iron, ASTM A536, Grade 65-45-12
- Body Seat Stainless Steel, Type 316
- Disc Seat Face Buna-N
- Hinge Shaft Stainless Steel, Type 304
- External Fasteners Stainless Steel, Type 316
- Spring Steel

## Corrosion Protection

- Standard: Internal/External 2-Part Epoxy



## Approvals & Certifications

- Complies with AWWA Standard C508

## Options

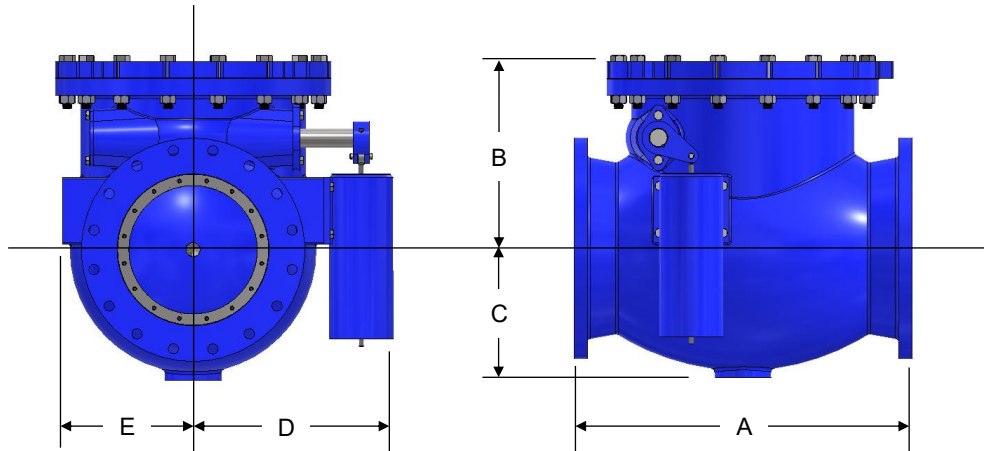
- Option 1D With Honeywell HDLS NEMA 1, 3, 4, 4X, 6, 6P, 12 & 13 DPDT Limit Switch
- Option LH With Lever & Weight Factory Installed on Left Side Facing Inlet

## Ordering Data

- Figure Number (340-S)
- Size
- Options and/or Accessories

Non-Shock Working Water Pressure at up to 150F (66C)	
Figure No.	<b>340-S</b>
Flange	ANSI B16.1 Class 125
Size	14” to 24”
Max Working Pressure	250 PSI
Hydro Test	500 PSI

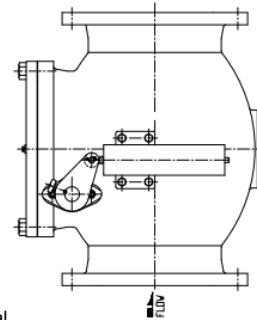
Data Sheet  
340S.02C



**Installation Dimensions**

	14"	16"	18"	20"	24"
A	31	36	40	40	48
B	17¼	19½	21¼	23¼	28¼
C	10½	11¾	12¾	14	17¼
D	17½	21	25½	25½	34
E	11¼	12½	13½	14¾	18½
WGT	950	1200	1500	2000	3000

**Vertical Installation**



Dimensions in inches, weight in pounds and are approximate. Request certified drawings if critical.

