

# Figure 340-S “Ludlow” Lever & Spring Swing Check Valve

## Description

GA Industries Figure 340-S “Ludlow” swing check valve fully conforms with AWWA Standard C508 with an adjustable spring assisted closure to minimize slam and hammer. The valve is typically installed in the discharge of a pump to prevent backflow when the pump is off line, it opens smoothly at pump start and closes quickly and quietly upon pump shutdown.

The Figure 340-S meets the design, materials of construction, testing and face to face dimension required by AWWA C508 and is suitable for use with water or sewage.

## Product Features

- Class 125 flanged 250 PSI rated epoxy coated ductile iron construction
- Tough and corrosion resistant 316SS body seat
- Buna-N rubber faced ductile iron disc for tight seating at low and high pressure
- Bolted cover with stainless steel cover fasteners facilitates maintenance

## Standard Materials

- Body, cover & disc Ductile Iron, ASTM A536, Grade 65-45-12
- Body Seat Stainless Steel, Type 316
- Disc Seat Face Buna-N
- Hinge Shaft Stainless Steel, Type 303
- External Fasteners Stainless Steel, Type 316
- Spring Steel

## Corrosion Protection

- Standard: PPG/Amerlok 400 NSF-61 certified 2-part epoxy, minimum 6 mil DFT



## Approvals & Certifications

- Complies with AWWA Standard C508

## Options/Accessories

- Option 1D With Honeywell HDLS NEMA 1, 3, 4, 4X, 6, 6P, 12 & 13 DPDT Limit Switch

## Ordering Data

- Figure Number (340-S)
- Size
- Options and/or Accessories

Non-Shock Working Water Pressure at up to 150F (66C)	
Figure No.	340-S
Flange	ANSI B16.1 Class 125
Size	3" to 12"
Max Working Pressure	250 PSI
Hydro Test	500 PSI

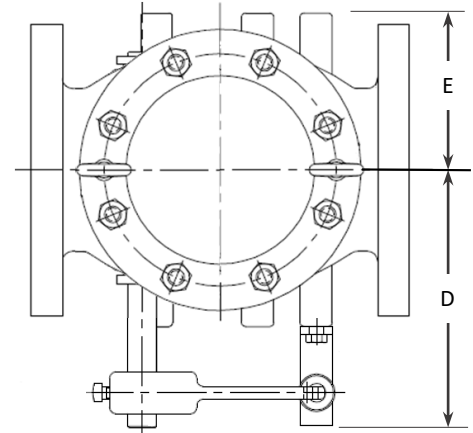
# Figure 340-S "Ludlow" Lever & Spring Swing Check Valve

Data Sheet 340S.01B

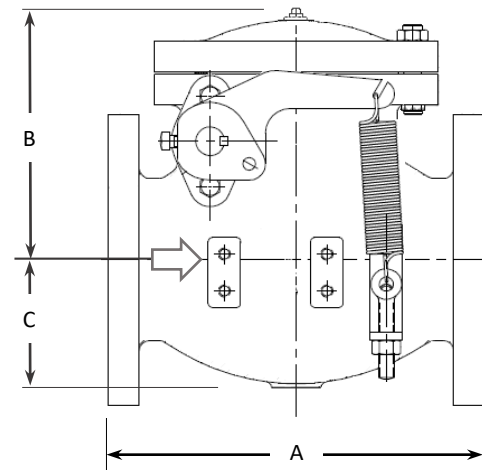
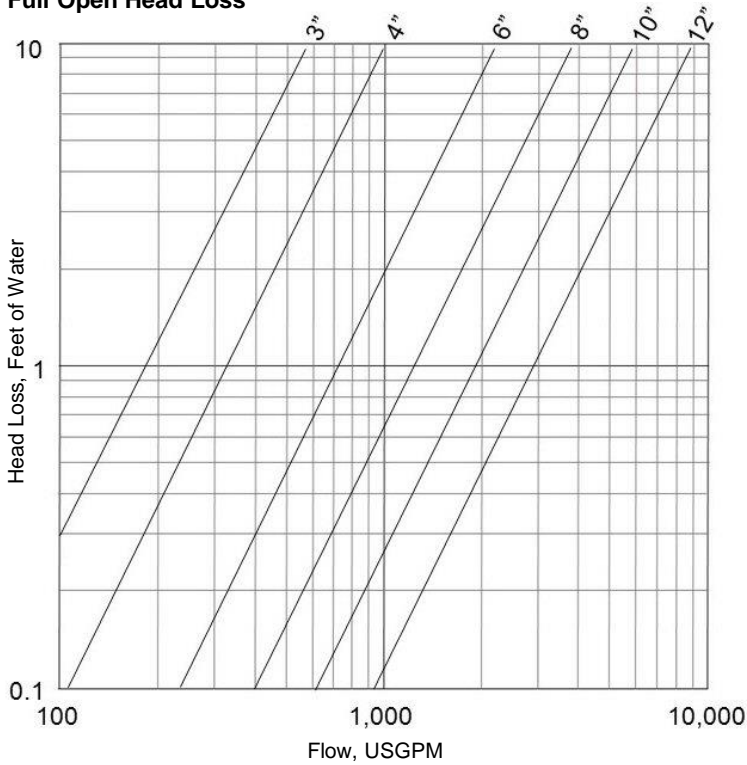
**Installation Dimensions**

SIZE	A	B	C	D	E	WGT
3"	9½	6¼	3	9¾	4¼	70
4"	11½	7½	3¾	10¼	5	100
6"	14	9½	4⅝	12	6¼	170
8"	19½	11¼	5	14¼	7¾	300
10"	24½	14½	7½	15¼	9¼	450
12"	27½	16½	9	16½	10¼	650

- Dimensions in inches, weight in pounds
- Dimensions and weights are approximate, request certified drawings if critical



**Full Open Head Loss**



**VERTICAL INSTALLATION**

