

Figure 350-W “Ludlow” Air Cushioned Lever & Weight Swing Check Valve

Description

GA Industries Figure 350-W “Ludlow” air cushioned swing check valve employs an adjustable counterweight to provide rapid closure and an air cushion to minimize slam and hammer. The valve is typically installed in the discharge of a pump to prevent backflow when the pump is off-line, it opens smoothly at pump start and closes quickly and quietly upon pump shutdown.

The Figure 350-W meets the design, materials of construction, testing and face to face dimension required by AWWA C508 and is suitable for use with water or sewage.



Product Features

- Class 125 flanged 250 PSI rated epoxy coated ductile iron construction
- Tough and corrosion resistant 316SS body seat
- Buna-N rubber faced ductile iron disc for tight seating at low and high pressure
- Bolted cover with stainless steel cover fasteners facilitates maintenance
- Side mounted corrosion resistant air cushion chamber

Standard Materials

- Body, cover & disc Ductile Iron, ASTM A536, Grade 65-45-12
- Body Seat Stainless Steel, Type 316
- Disc Seat Face Buna-N
- Hinge Shaft Stainless Steel, Type 304
- Cushion Chamber Stainless Steel
- External Fasteners Stainless Steel, Type 316

Corrosion Protection

- Standard: 3” to 12” Internal/External Fusion Bond Epoxy
14” to 30” Internal/External 2-part Epoxy

Approvals & Certifications

- Complies with AWWA Standard C508

Options/Accessories

- Option 1D With Honeywell HDLS NEMA 1, 3, 4, 4X, 6, 6P, 12 & 13 DPDT Limit Switch
- Option VI Configured for installation in vertical flow up pipe

Ordering Data

- Figure Number (350-W)
- Size
- Options and/or Accessories

Non-Shock Working Water Pressure at up to 150F (66C)	
Figure No.	350-W
Flange	ANSI B16.1 Class 125
Size	3” to 30”
Max Working Pressure	250 PSI
Hydro Test	500 PSI

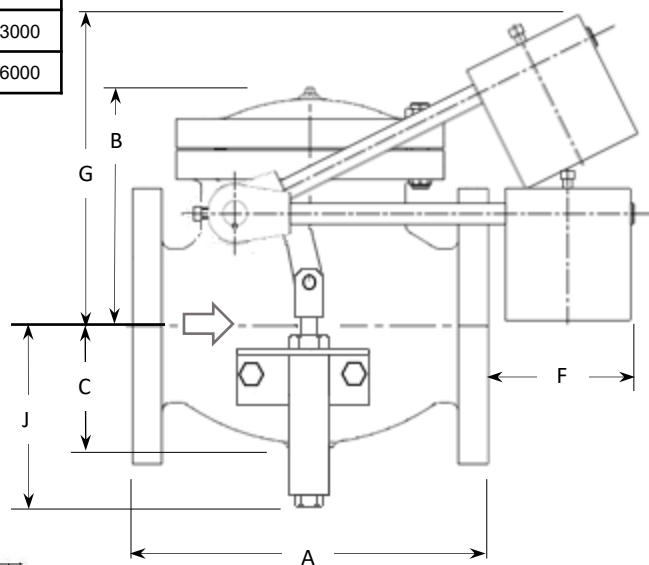
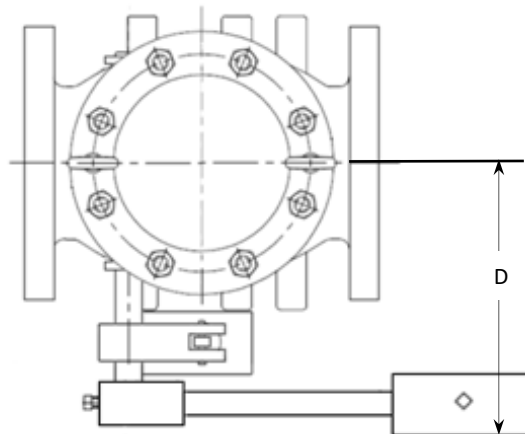
Figure 350-W "Ludlow" Air Cushioned Lever & Weight Swing Check Valve

Data Sheet 350W.01E

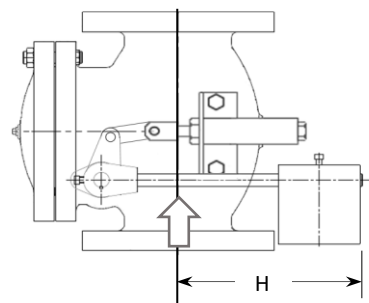
Installation Dimensions

SIZE	A	B	C	D	E	F	G	H	J	WGT
3"	9½	6¼	3	9¾	4¼	7	15	11	6	70
4"	11½	7½	3¾	10¾	5	5½	16	10	5¼	100
6"	14	9½	4¾	12	6¼	6½	19	12	--	170
8"	19½	11¼	5	14¾	7¾	4	21	10	--	300
10"	24½	14½	7½	15¾	9¾	--	23	10	--	450
12"	27½	16½	9	16½	10¾	9	32	18	--	650
14"	31	17¾	10½	17½	11¼	2	34	16	--	950
16"	36	19½	11¾	22	12½	2	35	15	--	1200
18"	40	21¼	12¾	23¾	13½	--	37	24	--	1500
20"	40	23¼	14	24½	14¾	--	37	24	--	2000
24"	47¾	28¼	17¼	27	18½	1½	44	24	--	3000
30"	60	33	26	41	22	--	55	32	--	6000

- Dimension G is valve fully open, Dimensions F and H are valve fully closed
- Dimensions in inches, weight in pounds
- Dimensions and weights are approximate, request certified drawings if critical



VERTICAL INSTALLATION



Full Open Head Loss

