

Figures 912, 912H

Simple Lever Air Release Valve

Description

GA Industries Figures 912 and 912H Air Release Valves vent accumulated air while the system is in operation and pressurized. Typically installed at high points where air naturally collects, the valve automatically opens when sufficient air has collected in the valve and closes tightly after the air is released.

In addition pipeline installations, these high capacity valves are also used to release air from the volute of split case pumps, filters and any place where it's necessary to automatically vent accumulated air for efficient operation.

Figures 912 and 912H meet the design, materials of construction and testing required by AWWA C512 and are suitable for use with clean water.

Product Features

- Compact and light weight
- Rugged iron body and cover
- Large venting orifice, releases air faster
- Corrosion resistant Type 316 stainless steel float and internal mechanism
- Tight sealing and easily replaceable rubber seat

Standard Materials

- Body & Cover Cast Iron, ASTM A126 Class B
- Float Stainless Steel, Type 316
- Internal Linkage Stainless Steel, Type 316
- Replaceable Seat Buna-N
- External Fasteners Steel, A307, Zinc Plated

Coating

- Standard: Internal and external PPG/Amerlok 400 NSF-61 Certified Epoxy, minimum 6 mil



Approvals & Certifications

- Complies with AWWA Standard C512
- NSF-61 Certified for Contact with Drinking Water
- NSF-372 Certified Lead Free (Max 0.25% Lead Content by Weighted Average)

Options/Accessories

- Option VC: Vacuum Check – prevents air re-entry if internal pressure falls below atmospheric
- Option IV Inlet Isolating Valve – lever operated bronze ball valve

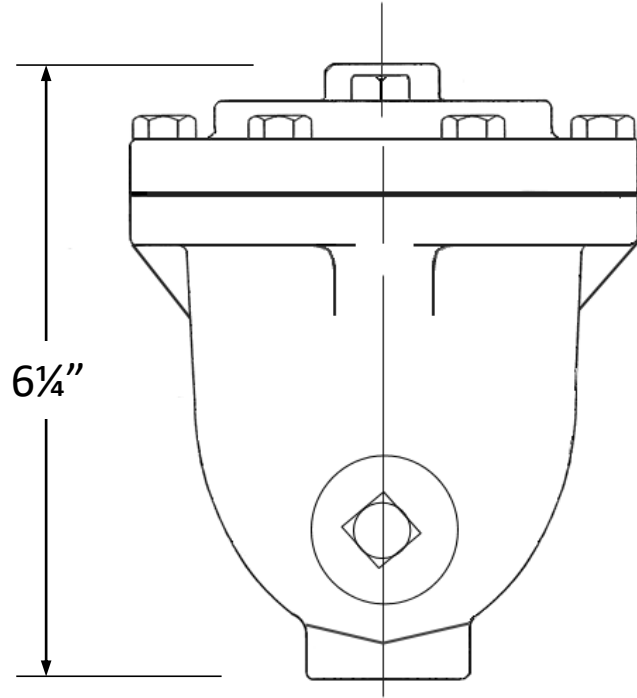
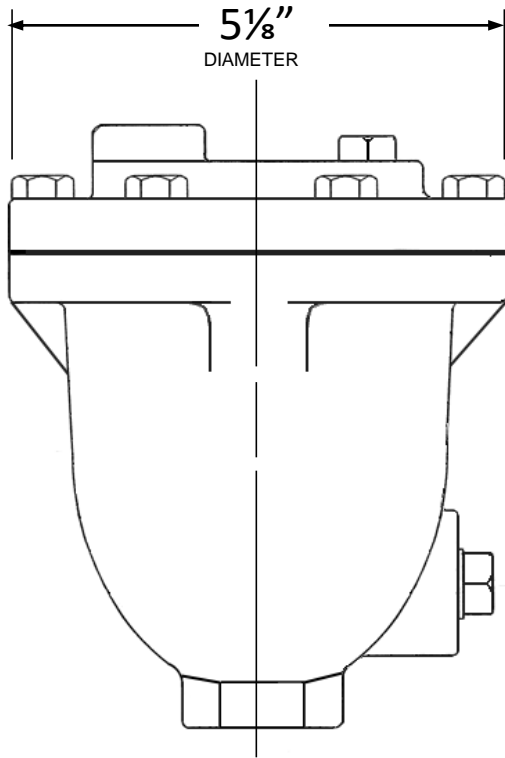
Ordering Data

- Figure Number (912 or 912H)
- Size
- Options/Accessories

| Non-Shock Working Water Pressure at up to 150F (66C) | | |
|---|----------------|----------------|
| Figure No. | 912 | 912H |
| Connections | NPT | NPT |
| Inlet Size* | 1/2", 3/4", 1" | 1/2", 3/4", 1" |
| Outlet Size | 3/8" | 3/8" |
| Orifice Diameter | 0.125" | 0.094" |
| Working Pressure | 10-150 PSI | 10-300 PSI |
| Pressure Rating | 300 PSI | |
| Hydro Test | 450 PSI | |
| Weight | 8 lbs. | |

* Valve inlet tapped 1" NPT, smaller sizes accommodated by reducing bushings supplied with the valve

Data Sheet 912.01B



All dimensions and weights are approximate. If critical request certified drawings

| Pressure At Valve Inlet | Air Venting Rate, Standard Cubic Feet/Min (SCFM) | |
|-------------------------|--|-------------|
| | Figure 912 | Figure 912H |
| 10 PSI | 3.9 | 2.2 |
| 15 PSI | 4.7 | 2.6 |
| 25 PSI | 6.3 | 3.5 |
| 50 PSI | 10.3 | 5.8 |
| 75 PSI | 14.2 | 8.0 |
| 100 PSI | 18.2 | 10.2 |
| 150 PSI | 26.1 | 14.7 |
| 200 PSI | | 19.1 |
| 250 PSI | | 23.6 |
| 300 PSI | | 28.0 |

