

Figures 922, 922H High Capacity Compound Lever Air Release Valve

Description

GA Industries Figures 922 and 922H are used to minimize the build up of air in water pipes and systems by automatically and efficiently releasing air that has collected in the valve while under pressure and operational. Typically installed at high points where air naturally collects, the valve opens when sufficient air has accumulated in the valve and closes tightly after the air has been released.

Figures 922 and 922H High Capacity Air Release Valves' extra large orifice releases air 4X faster than standard compound lever valves and are recommended for especially air laden systems or when pipeline flow exceeds 20,000 USGPM.



Product Features

- Compound lever design and extra large venting orifice provides higher venting rate
- Rugged iron body and cover
- Corrosion resistant Type 316 stainless steel float and internal mechanism
- Tight sealing and easily replaceable rubber seat

Standard Materials

- Body & Cover Cast Iron, ASTM A126 Class B
- Float Stainless Steel, Type 316
- Internal Linkage Stainless Steel, Type 316
- Replaceable Seat Buna-N
- External Fasteners Steel, A307, Zinc Plated

Corrosion Protection

- Standard: Uncoated internal, external enamel primer, 2 mil DFT
- Optional See Option P2

Approvals & Certifications

- Complies with AWWA Standard C512
- NSF-61 Certified for Contact with Drinking Water
- NSF-372 Certified Lead Free (Max 0.25% Lead Content by Weighted Average)

Options/Accessories

- Option VC: Vacuum Check – prevents air re-entry if internal pressure falls below atmospheric
- Option IV Inlet Isolating Valve – lever operated bronze ball valve
- Option P2 316 Stainless Steel external fasteners and internal/external Carboline 891 NSF-61 certified 2-part epoxy, 6 mil DFT

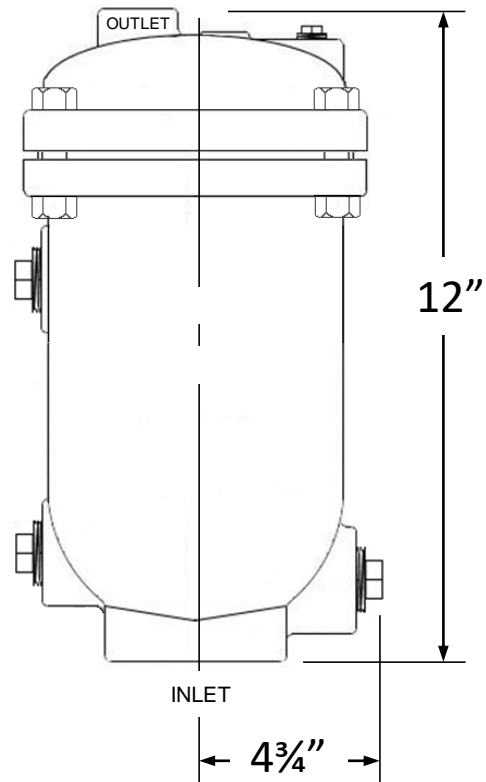
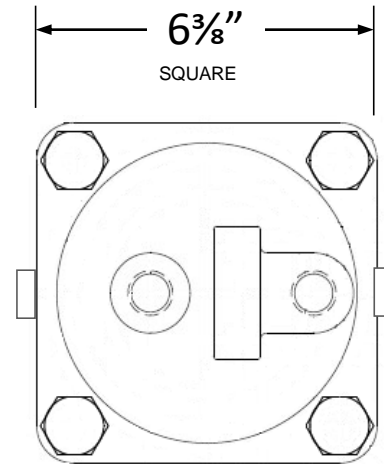
Ordering Data

- Figure Number (922 or 922H)
- Size
- Options/Accessories

| Non-Shock Working Water Pressure at up to 150F (66C) | | |
|--|------------|------------|
| Figure No. | 922 | 922H |
| Connections | NPT | NPT |
| Inlet Size | 2" or 3" | 2" or 3" |
| Outlet Size | 1/2" | 1/2" |
| Orifice Diameter | 0.375" | 0.219" |
| Working Pressure | 10-150 PSI | 10-300 PSI |
| Pressure Rating | 300 PSI | |
| Hydro Test | 450 PSI | |
| Weight | 40 lbs. | 40 lbs. |

Data Sheet 922.01B

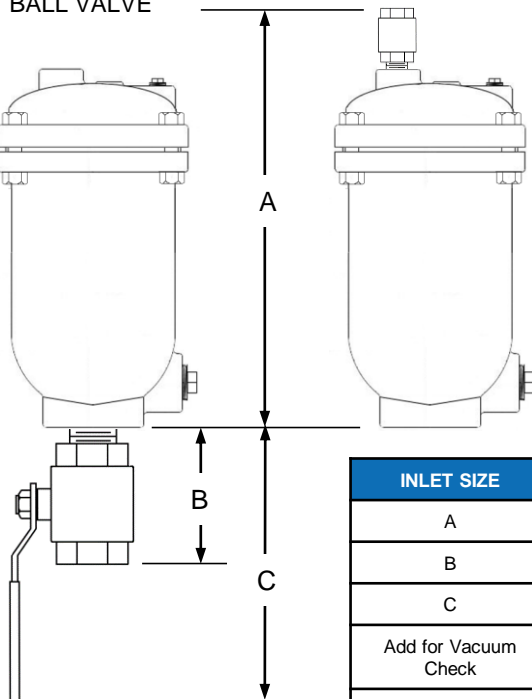
| Pressure At Valve Inlet | Air Venting Rate, Standard Cubic Feet/Min (SCFM) | |
|-------------------------|--|-------------|
| | Figure 922 | Figure 922H |
| 10 PSI | 34.9 | 11.9 |
| 15 PSI | 42.3 | 14.4 |
| 25 PSI | 56.6 | 19.3 |
| 50 PSI | 92.2 | 31.4 |
| 75 PSI | 127.8 | 43.5 |
| 100 PSI | 163.5 | 55.6 |
| 150 PSI | 234.8 | 79.9 |
| 200 PSI | | 104.1 |
| 250 PSI | | 128.4 |
| 300 PSI | | 152.6 |



All dimensions and weights are approximate. If critical request certified drawings

INLET ISOLATING
LEAD FREE BRONZE
BALL VALVE

VACUUM CHECK



| INLET SIZE | 2" | 3" |
|------------------------------|--------|---------|
| A | 15" | 15" |
| B | 5" | 8" |
| C | 8" | 13" |
| Add for Vacuum Check | 1 lb. | 1 lb. |
| Add for Isolating Ball Valve | 8 lbs. | 20 lbs. |