

Figures 922, 922H High-Capacity Compound Lever Air Release Valve

Description

GA Industries Figures 922 and 922H are used to minimize the build up of air in water pipes and systems by automatically and efficiently releasing air that has collected in the valve while under pressure and operational. Typically installed at high points where air naturally collects, the valve opens when sufficient air has accumulated in the valve and closes tightly after the air has been released.

Figures 922 and 922H High-Capacity Air Release Valves' extra large orifice releases air 4X faster than standard compound lever valves and are recommended for especially air laden systems or when pipeline flow exceeds 20,000 USGPM.

Product Features

- Compound lever design and extra-large venting orifice provides higher venting rate
- Rugged iron body and cover
- Corrosion resistant Type 316 stainless steel float and internal mechanism
- Tight sealing and easily replaceable rubber seat

Standard Materials

- Body & Cover Cast Iron, ASTM A126 Class B
- Float Stainless Steel, Type 316
- Internal Linkage Stainless Steel, Type 316
- Replaceable Seat Buna-N
- External Fasteners Steel, A307, Zinc Plated
- Coating Internal and External NSF-61 Certified Epoxy



Non-Shock Working Water Pressure at up to 150F (66C)		
Figure No.	922	922H
Connections	NPT	NPT
Inlet Size	2" or 3"	2" or 3"
Outlet Size	1/2"	1/2"
Orifice Diameter	0.375"	0.219"
Working Pressure	10-150 PSI	10-300 PSI
Pressure Rating	300 PSI	
Hydro Test	450 PSI	
Weight	40 lbs.	40 lbs.

Approvals & Certifications

- Complies with AWWA Standard C512
- NSF-61 Certified for Contact with Drinking Water
- NSF-372 Certified Lead Free (Max 0.25% Lead Content by Weighted Average)

Options/Accessories

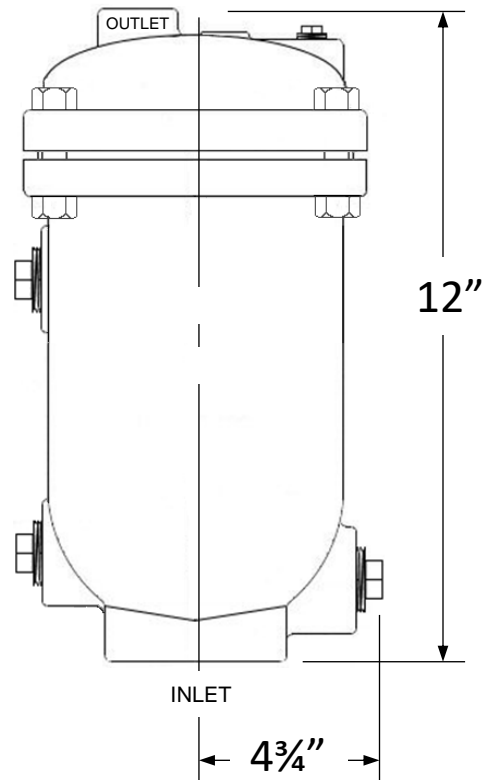
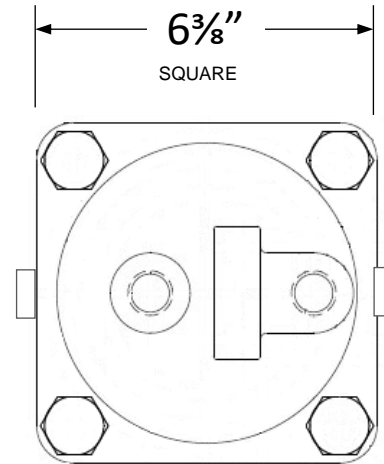
- Option BA Build America/Buy America (BABA) and American Iron and Steel (AIS) Compliant
- Option IV Inlet Isolating Valve – lever operated bronze ball valve
- Option SE 316 Stainless Steel External Fasteners
- Option US American Iron and Steel (AIS) Compliant
- Option VC: Vacuum Check – prevents air re-entry if internal pressure falls below atmospheric

Ordering Data

- Figure Number (922 or 922H)
- Size
- Options/Accessories

Data Sheet 922.01D

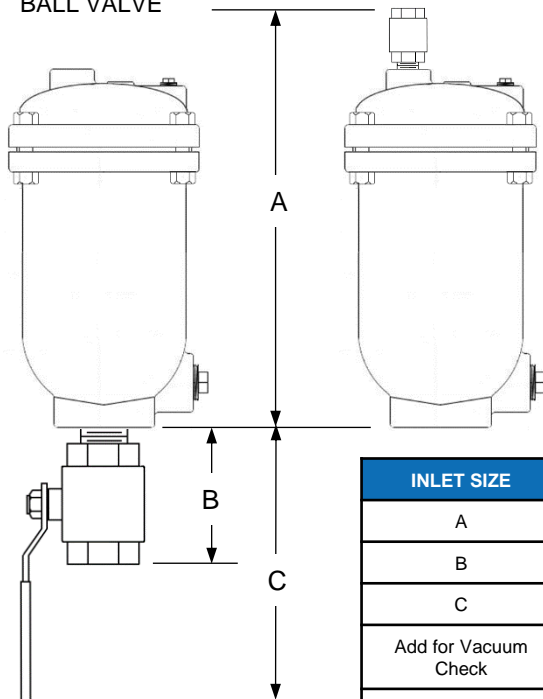
Pressure At Valve Inlet	Air Venting Rate, Standard Cubic Feet/Min (SCFM)	
	Figure 922	Figure 922H
10 PSI	34.9	11.9
15 PSI	42.3	14.4
25 PSI	56.6	19.3
50 PSI	92.2	31.4
75 PSI	127.8	43.5
100 PSI	163.5	55.6
150 PSI	234.8	79.9
200 PSI		104.1
250 PSI		128.4
300 PSI		152.6



All dimensions and weights are approximate. If critical request certified drawings

INLET ISOLATING
LEAD FREE BRONZE
BALL VALVE

VACUUM CHECK



INLET SIZE	2"	3"
A	15"	15"
B	5"	8"
C	8"	13"
Add for Vacuum Check	1 lb.	1 lb.
Add for Isolating Ball Valve	8 lbs.	20 lbs.