

# Figures 923-D and 923H-U

## Super High-Capacity Air Release Valve

### 6" For Clean Water

#### Description

GA Industries Figure 923 automatically and efficiently release air that has collected in the valve while under pressure and operational. Typically installed at high points where air naturally collects, the valve opens when sufficient air has accumulated in the valve and closes tightly after the air has been expelled.

These “super high capacity” valves have a very large venting orifice and can release air at a much higher rate than other such valves. They are recommended for very high flow systems or that are heavily air laden where the necessary air venting rate exceeds that of a standard valve.

#### Product Features

- Rugged iron body and cover
- Compound lever design allows larger venting orifice and higher venting rate
- Corrosion resistant Type 316 stainless steel float and internal mechanism
- Tight sealing and easily replaceable rubber seat
- 2" NPT plugged port to facilitate removal of large debris

#### Standard Materials

- Body & Cover Cast Iron, ASTM A126 Class B
- Float Stainless Steel, Type 316
- Internal Linkage Stainless Steel, Type 316
- Replaceable Seat Buna-N
- External Fasteners Steel, A307, Zinc Plated
- Coating Internal and External NSF-61 Certified Epoxy



#### Approvals & Certifications

- Complies with AWWA Standard C512

#### Options/Accessories

- Option BA: Complies with American Iron and Steel (AIS) and Build America Buy America (BABA) requirements
- Option IV Inlet Isolating Valve – lever operated AWWA butterfly valve (Class 125 flanged inlet only)
- Option SE 316 Stainless Steel External Fasteners
- Option US: Complies with American Iron and Steel America (AIS) requirements
- Option VC: Vacuum Check – prevents air re-entry if internal pressure falls below atmospheric

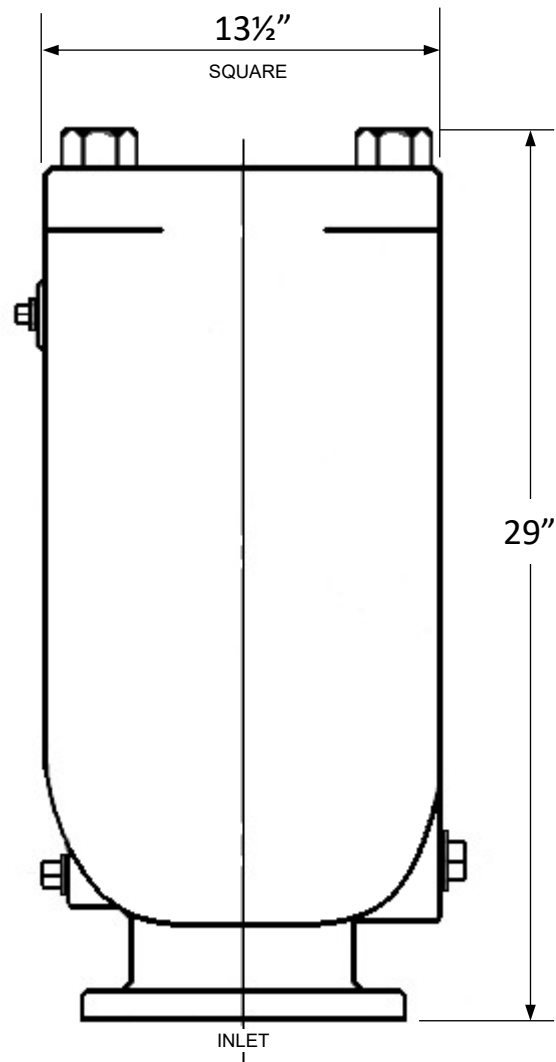
#### Ordering Data

- Figure Number (923-D, 923H-D or 923H-U)
- Size
- Options/Accessories

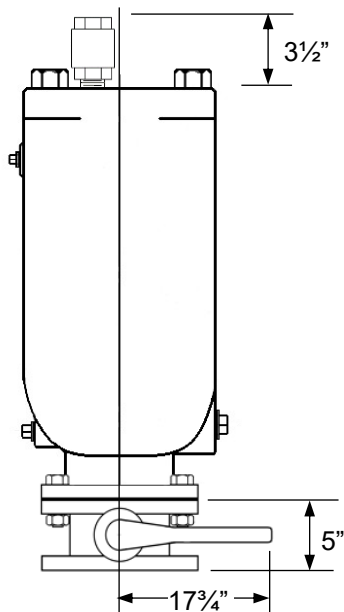
#### Non-Shock Working Water Pressure at up to 150F (66C)

Figure Nos.	923-D	923H-D	923H-U
<b>Inlet Size</b>	6"		6"
<b>Inlet Connection</b>	CL125 Flange		CL250 Flange
<b>Outlet Connection</b>	1" NPT		1" NPT
<b>Orifice Diameter</b>	1.000"	0.688"	0.688"
<b>Working Pressure</b>	10-150 PSI	10-200 PSI	10-300 PSI
<b>Pressure Rating</b>	200 PSI		300 PSI
<b>Hydro Test</b>	300 PSI		450 PSI
<b>Weight</b>	320 lbs.		335 lbs.

Pressure At Valve Inlet	Air Venting Rate, Standard Cubic Feet/Min (SCFM)	
	Figure 923-D	Figure 923H-U
10 PSI	227	107
15 PSI	288	136
25 PSI	397	188
50 PSI	652	308
75 PSI	904	427
100 PSI	1,155	546
150 PSI	1,659	784
200 PSI		1,022
300 PSI		1,498



With VACUUM CHECK and/or INLET ISOLATING BUTTERFLY VALVE



Weight, lbs.	Figure 923-D	Figure 923H-U
Valve Only	320	345
Add for Vacuum Check	2	2
Add for BFV	70	N/A

All dimensions and weights are approximate. If critical request certified drawings