

Figures 927, 927F, 927L, 927LF High-Capacity Sewage Air Release Valve

Description

GA Industries Figures 927 and 927L automatically and efficiently release air and sewer gas that have collected in the valve while under pressure and operational. Typically installed at high points where air and gas naturally collect, the valve opens when sufficient air and gas has accumulated in the valve and closes tightly after the air and gas has been released.

These “high capacity” valves have a larger venting orifice than the standard Figure 925 or 929 air release valves and can release air and gas at a faster rate. They are recommended for systems where the necessary air venting rate exceeds that of a standard valve.

Figures 927F and 927LF include optional “back flush attachments” to facilitate cleaning sludge and debris from the valve

Product Features

- Rugged iron body and cover
- Compound lever design allows larger venting orifice and higher venting rate
- Corrosion resistant Type 316 stainless steel float and internal mechanism
- Tight sealing and easily replaceable rubber seat
- 2” NPT plugged port to facilitate removal of large debris

Standard Materials

- Body & Cover Cast Iron, ASTM A126 Class B
- Float Stainless Steel, Type 316
- Internal Linkage Stainless Steel, Type 316
- Replaceable Seat Buna-N
- External Fasteners Steel, A307, Zinc Plated
- Coating Internal and External NSF-61/600 Certified Epoxy

Non-Shock Working Water Pressure at up to 150F (66C)		
Figure Nos.	927L, 927LF	927, 927F
Connections	NPT	NPT
Inlet Size	2” or 3”	2” or 3”
Outlet Size	1”	1”
Orifice Diameter	0.500”	0.438”
Working Pressure	10-75 PSI	10-150 PSI
Pressure Rating	200 PSI	200 PSI
Hydro Test	300 PSI	300 PSI
Weight (Valve Only)	61 lbs.	61 lbs.



Approvals & Certifications

- Complies with AWWA Standard C512

Options/Accessories

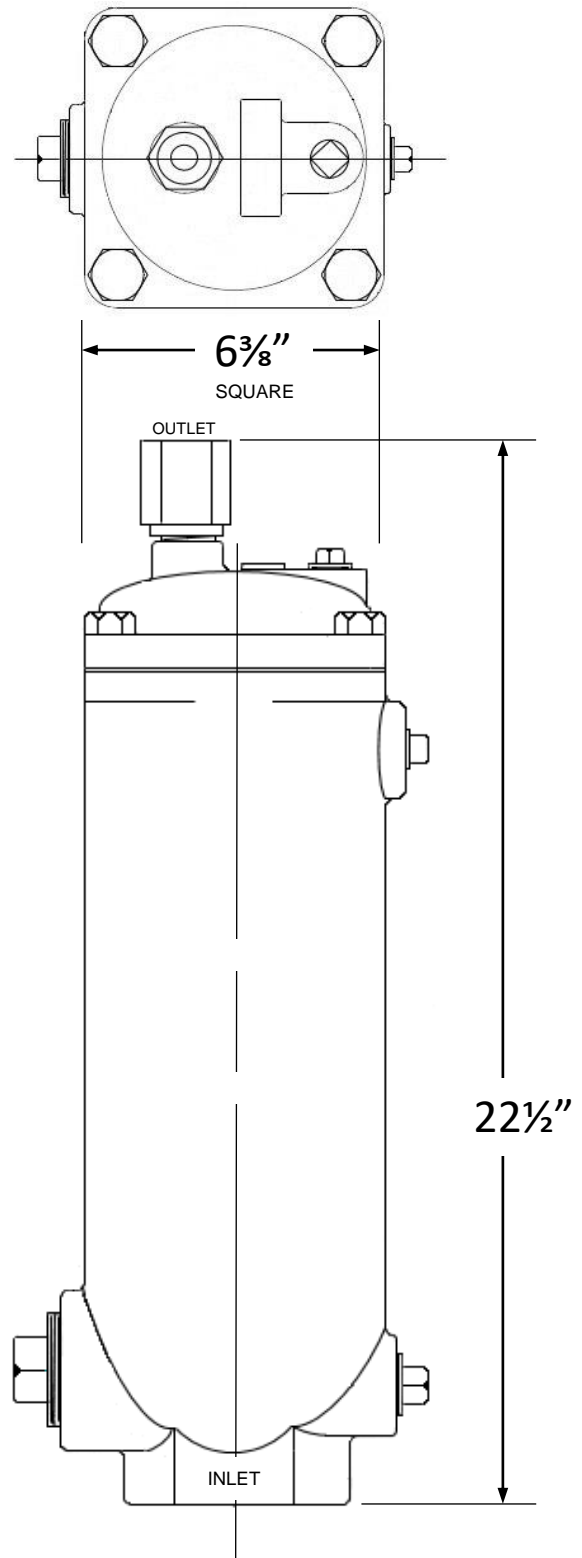
- Option FA Backflush Attachments – inlet isolating valve, ½” flushing valve, 1” blow off valve, quick connect couplings and 5 ft. rubber hose
- Option IV Inlet Isolating Valve – lever operated bronze ball valve (included with backflush attachments)
- Option SE 316 Stainless Steel External Fasteners
- Option VC: Vacuum Check – prevents air re-entry if internal pressure falls below atmospheric

Ordering Data

- Figure Number (927, 927F, 925L or 925LF)
- Size
- Options/Accessories

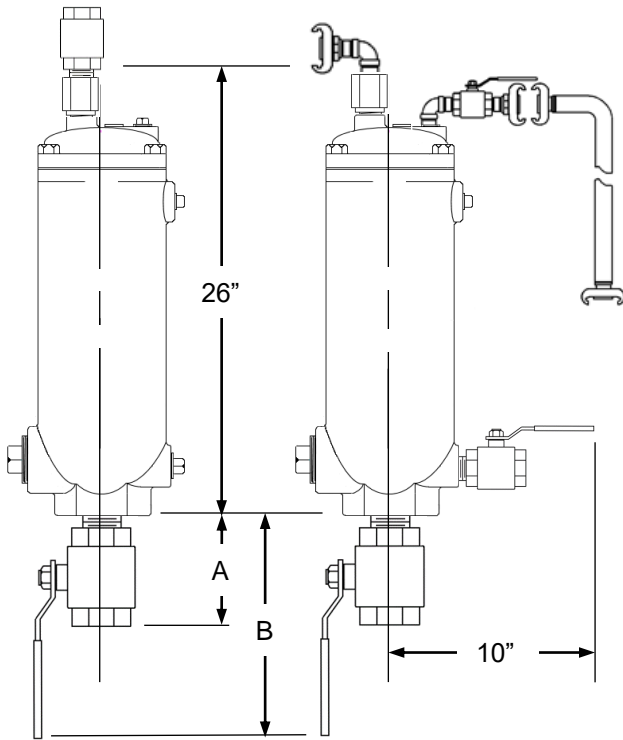
Data Sheet 927.01D

Pressure At Valve Inlet	Air Venting Rate, Standard Cubic Feet/Min (SCFM)	
	Figure 927L	Figure 927
10 PSI	62.1	47.5
15 PSI	75.2	57.6
25 PSI	100.6	77.0
50 PSI	163.9	125.5
75 PSI	227.3	174.0
100 PSI		222.5
150 PSI		319.5



VACUUM CHECK and/or
INLET ISOLATING
BALL VALVE

Figures 927F and 927LF
With BACKFLUSH
ATTACHMENTS



CONNECTION SIZE	2"	3"
A	5"	8"
B	8"	5"
Add for Vacuum Check	1 lb.	1 lb.
Add for Inlet Ball Valve	2 lbs.	8 lbs.
Add for Backflush Attachments	15 lbs.	21 lbs.

All dimensions and weights are approximate. If critical request certified drawings