

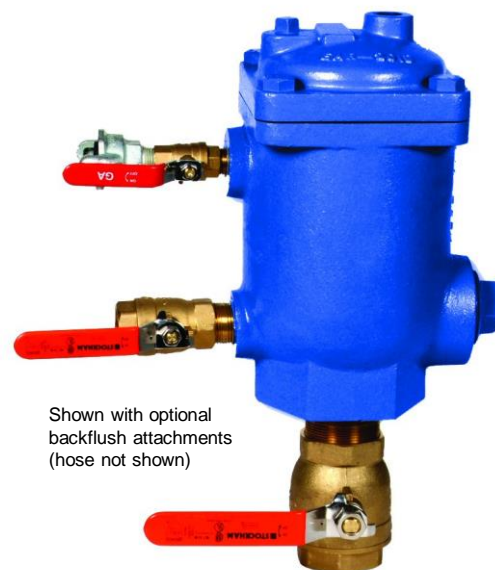
# Figures 929, 929F, 929L, 929LF Short Body Sewage/Wastewater Air Release Valve

## Description

GA Industries Figures 929 and 929L short body air release valves automatically and efficiently release air and gas that have collected in the valve while under pressure and operational. Typically installed at high points where air and gas naturally collect, the valve opens when sufficient air and gas has accumulated in the valve and closes tightly after the air has been released.

Short body sewage air release valves are ideal in shallow cover installations that preclude the standard elongated body.

Figures 929F and 929LF include optional “back flushing attachments” to facilitate cleaning sludge and debris from the valve



Shown with optional backflush attachments (hose not shown)

## Product Features

- Short body ideal for “shallow cover” installations
- Compound lever design allows larger venting orifice and higher venting rate
- Corrosion resistant Type 316 stainless steel float and internal mechanism
- Tight sealing and easily replaceable rubber seat
- 2” NPT plugged port to facilitate removal of large debris

## Standard Materials

- Body & Cover Cast Iron, ASTM A126 Class B
- Float Stainless Steel, Type 316
- Internal Linkage Stainless Steel, Type 316
- Replaceable Seat Buna-N
- External Fasteners Steel, A307, Zinc Plated

See Data Sheet 929SS.01 for Durovent™ all 316SS construction version

## Coating

- Standard: Uncoated internal, external enamel primer, 2 mil DFT
- Optional See Option P2

Non-Shock Working Water Pressure at up to 150F (66C)		
Figure Nos.	929L, 929LF	929, 929F
Connections	NPT	NPT
Inlet Size	2” or 3”	2” or 3”
Outlet Size	½”	½”
Orifice Diameter	0.313”	0.188”
Working Pressure	10-75 PSI	10-150 PSI
Pressure Rating	200 PSI	200 PSI
Hydro Test	300 PSI	300 PSI
Weight	40 lbs.	40 lbs.

## Approvals & Certifications

- Complies with AWWA Standard C512
- NSF-61 Certified for Contact with Drinking Water
- NSF-372 Certified Lead Free (Max 0.25% Lead Content by Weighted Average)

## Options/Accessories

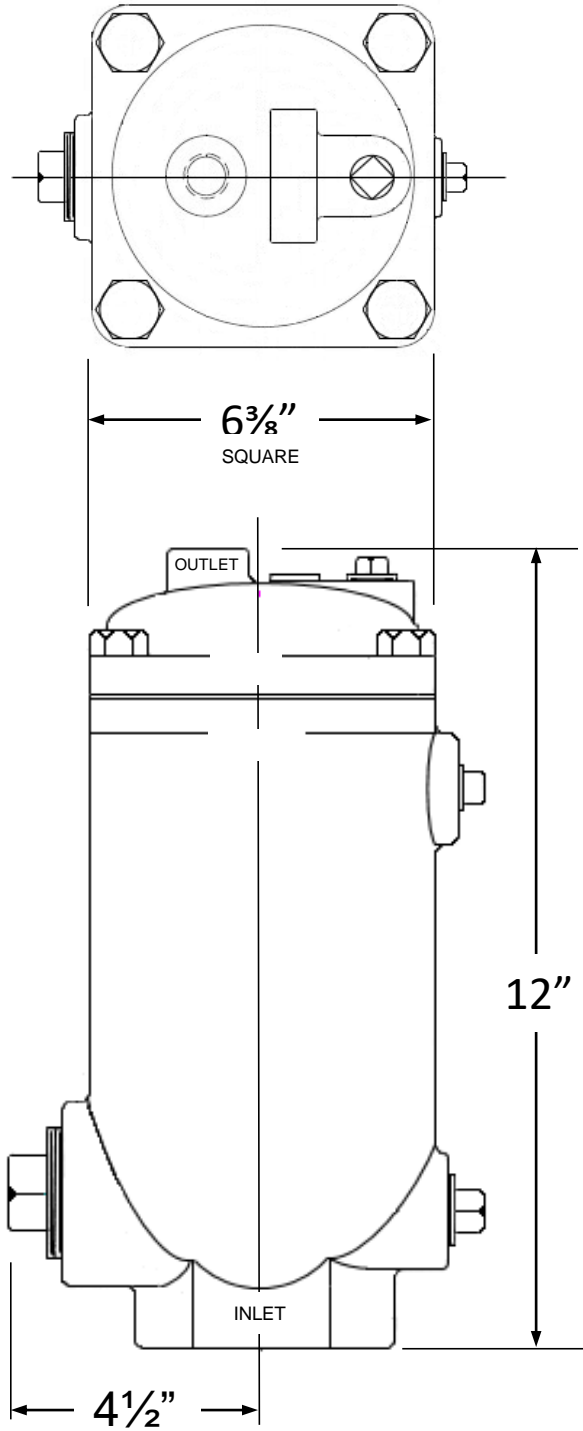
- Option F: Backflush Attachments – facilitates flushing debris and sludge from valve, includes inlet isolating, flushing and blow off bronze ball valves, quick connect couplings and 5 ft. rubber hose
- Option VC: Vacuum Check – prevents air re-entry if internal pressure falls below atmospheric
- Option IV Inlet Isolating Valve – lever operated bronze ball valve (included with backflush attachments)
- Option P2 316 Stainless Steel external fasteners and internal/external Carboline 891 NSF-61 certified 2-part epoxy, 6 mil DFT

## Ordering Data

- Figure Number (929, 929F, 929L or 929LF)
- Size
- Options/Accessories

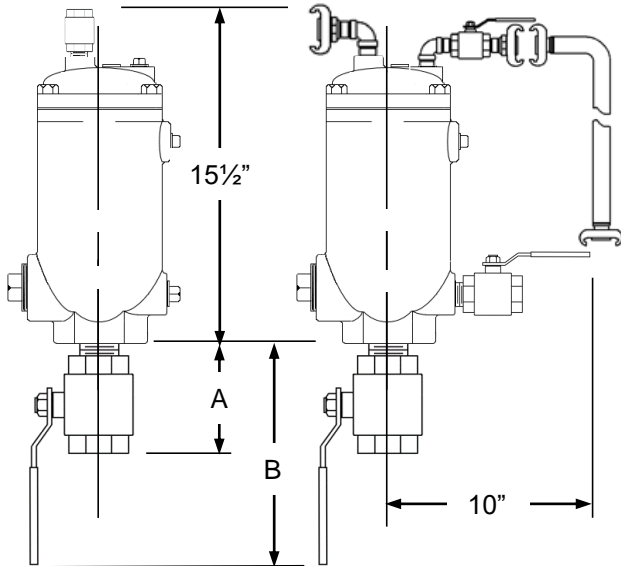
Data Sheet 929.01B

Pressure At Valve Inlet	Air Venting Rate, Standard Cubic Feet/Min (SCFM)	
	Figure 929L	Figure 929
10 PSI	24.3	8.7
15 PSI	29.4	10.6
25 PSI	39.3	14.1
50 PSI	64.0	23.1
75 PSI	88.8	32.0
100 PSI		40.9
150 PSI		58.7



VACUUM CHECK and/or  
INLET ISOLATING  
BALL VALVE

Figures 929F and 929LF  
With BACKFLUSH  
ATTACHMENTS



CONNECTION SIZE	2"	3"
A	5"	8"
B	8"	5"
Add for Vacuum Check	1 lb.	1 lb.
Add for Inlet Ball Valve	2 lbs.	8 lbs.
Add for Backflush Attachments	15 lbs.	21 lbs.

All dimensions and weights are approximate. If critical request certified drawings